

Overview

The KEMET ELG aluminum electrolytic snap-in capacitors are designed with snap-lock terminals for printed circuit board mounting. The case is aluminum with an insulated sleeve and safety vent at the bottom.

Applications

Typical applications include general purpose power electronics, UPS, SMPS, and battery chargers.

Benefits

- Suited for high reliability, low ESR applications
- Operating temperature of up to 105°C
- 2,000 hour operating life
- RoHS compliant and lead-free



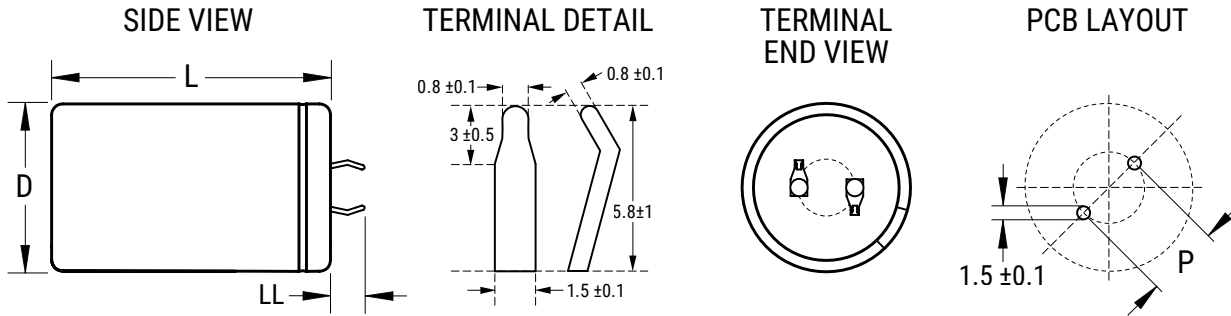
Part Number System

ELG	129	M	6R3		A	Q1	AA
Series	Capacitance Code (pF)	Tolerance	Rated Voltage (VDC)		Electrical Parameters	Size Code	Packaging
Snap-In Aluminum Electrolytic	First two digits represent significant figures for capacitance values. Last digit specifies the number of zeros to be added.	M = ±20%	6R3 = 6.3 010 = 10 016 = 16 025 = 25 035 = 35 050 = 50 063 = 63 080 = 80 100 = 100	160 = 160 180 = 180 200 = 200 250 = 250 350 = 350 400 = 400 420 = 420 450 = 450 500 = 500	A = Standard	See Dimension Table	See Ordering Options Table

Ordering Options Table

Packaging Type	Lead Length (mm)	Lead and Packaging Code
Standard Bulk Packaging Options		
Bulk (box)	5.8 ± 1.0	AA
Bulk (box)	4.0 ± 1.0	AV

Dimensions – Millimeters



Size Code	D		L		p	
	Nominal	Tolerance	Nominal	Tolerance	Nominal	Tolerance
Q7	22	+1.0/-0	20	+2.0/-0	10.0	±0.5
Q1	22	+1.0/-0	25	+2.0/-0	10.0	±0.5
Q2	22	+1.0/-0	30	+2.0/-0	10.0	±0.5
Q3	22	+1.0/-0	35	+2.0/-0	10.0	±0.5
Q4	22	+1.0/-0	40	+2.0/-0	10.0	±0.5
Q5	22	+1.0/-0	45	+2.0/-0	10.0	±0.5
Q6	22	+1.0/-0	50	+2.0/-0	10.0	±0.5
R7	25	+1.0/-0	20	+2.0/-0	10.0	±0.5
R1	25	+1.0/-0	25	+2.0/-0	10.0	±0.5
R2	25	+1.0/-0	30	+2.0/-0	10.0	±0.5
R3	25	+1.0/-0	35	+2.0/-0	10.0	±0.5
R4	25	+1.0/-0	40	+2.0/-0	10.0	±0.5
R5	25	+1.0/-0	45	+2.0/-0	10.0	±0.5
R6	25	+1.0/-0	50	+2.0/-0	10.0	±0.5
S1	30	+1.0/-0	25	+2.0/-0	10.0	±0.5
S2	30	+1.0/-0	30	+2.0/-0	10.0	±0.5
S3	30	+1.0/-0	35	+2.0/-0	10.0	±0.5
S4	30	+1.0/-0	40	+2.0/-0	10.0	±0.5
S5	30	+1.0/-0	45	+2.0/-0	10.0	±0.5
S6	30	+1.0/-0	50	+2.0/-0	10.0	±0.5
S8	30	+1.0/-0	60	+2.0/-0	10.0	±0.5
T1	35	+1.0/-0	25	+2.0/-0	10.0	±0.5
T2	35	+1.0/-0	30	+2.0/-0	10.0	±0.5
T3	35	+1.0/-0	35	+2.0/-0	10.0	±0.5
T4	35	+1.0/-0	40	+2.0/-0	10.0	±0.5
T5	35	+1.0/-0	45	+2.0/-0	10.0	±0.5
T6	35	+1.0/-0	50	+2.0/-0	10.0	±0.5
T8	35	+1.0/-0	60	+2.0/-0	10.0	±0.5

Environmental Compliance

As an environmentally conscious company, KEMET is working continuously with improvements concerning the environmental effects of both our capacitors and their production. In Europe (RoHS Directive) and in some other geographical areas like China, legislation has been put in place to prevent the use of some hazardous materials, such as lead (Pb), in electronic equipment. All products in this catalog are produced to help our customers' obligations to guarantee their products and fulfill these legislative requirements. The only material of concern in our products has been lead (Pb), which has been removed from all designs to fulfill the requirement of containing less than 0.1% of lead in any homogeneous material. KEMET will closely follow any changes in legislation world wide and make any necessary changes in its products, whenever needed.

Some customer segments such as medical, military and automotive electronics may still require the use of lead in electrode coatings. To clarify the situation and distinguish products from each other, a special symbol is used on the packaging labels for RoHS compatible capacitors.

Due to customer requirements, there may appear additional markings such as lead free (LF) or lead-free wires (LFW) on the label.

Performance Characteristics

Item	Performance Characteristics	
Capacitance Range	560 – 82,000 μ F	47 – 2,200 μ F
Capacitance Tolerance	\pm 20% at 120 Hz/20°C	
Rated Voltage	6.3 – 100 VDC	160 – 500 VDC
Life Test	2,000 hours (see conditions in Test Methods & Performance)	
Operating Temperature	-40°C to +105°C	-25°C to +105°C
Leakage Current	I = 0.02 CV (mA) or 3 mA, whichever is smaller	
	C = rated capacitance (μ F), V = rated voltage (VDC). Voltage applied for 5 minutes at 20°C.	

Impedance Z Characteristics at 120 Hz

Rated Voltage (VDC)	6.3 – 16	25	35	50 – 63	80 – 100	160 – 400	420 – 450	500
Z (-25°C)/Z (20°C)	4	3	3	2	2	4	8	8
Z (-40°C)/Z (20°C)	15	10	8	6	5			

Compensation Factor of Ripple Current (RC) vs. Frequency

Rated Voltage (VDC)	50 Hz	60 Hz	120 Hz	1 kHz	10 kHz
6.3 – 100	0.88	0.90	1.00	1.15	1.16
160 – 250	0.85	0.88	1.00	1.30	1.50
350 – 450	0.88	0.90	1.00	1.35	1.45
500	0.70	0.72	1.00	1.30	1.41

Test Method & Performance

Conditions	Load Life Test	Shelf Life Test
Temperature	105°C	105°C
Test Duration	2,000 hours	1,000 hours
Ripple Current	Maximum ripple current specified at 120 kHz 105°C specified in table	No ripple current applied
Voltage	The sum of DC voltage and the peak AC voltage must not exceed the rated voltage of the capacitor	No voltage applied
Performance	The following specifications will be satisfied when the capacitor is restored to 20°C:	
Capacitance Change	Within ±20% of the initial value	
Dissipation Factor	Does not exceed 200% of the specified value	Does not exceed 200% of the specified value
Leakage Current	Does not exceed specified value	

Shelf Life

The capacitance, ESR and impedance of a capacitor will not change significantly after extended storage periods, however, the leakage current will very slowly increase.

KEMET's E aluminum electrolytic capacitors should not be stored in high temperatures or where there is a high level of humidity. The suitable storage condition for KEMET's E aluminum electrolytic capacitors is +5 to +35°C and less than 75% in relative humidity. KEMET's E aluminum electrolytic capacitors should not be stored in damp conditions such as water, saltwater spray or oil spray. KEMET's E aluminum electrolytic capacitors should not be stored in an environment full of hazardous gas (hydrogen sulphide, sulphurous acid gas, nitrous acid, chlorine gas, ammonium, etc.) KEMET's E aluminum electrolytic capacitors should not be stored under exposure to ozone, ultraviolet rays or radiation.

If a capacitor has been stored for more than 18 months under these conditions and it shows increased leakage current, then a treatment by voltage application is recommended.

Re-Age (Reforming) Procedure

Apply the rated voltage to the capacitor at room temperature for a period of one hour, or until the leakage current has fallen to a steady value below the specified limit. During re-aging a maximum charging current of twice the specified leakage current or 5 mA, whichever is greater, is suggested.

Table 1 – Ratings & Part Number Reference

Rated Voltage	Surge Voltage	Rated Capacitance	Case Size	DF	RC	LC	Part Number
(VDC)	(VDC)	120 Hz 20°C (µF)	D x L (mm)	120 Hz 20°C (tanδ %)*	120 Hz 105°C (A)	20°C 5 minutes (mA)	() Represents Part Number Options
6.3	8	12,000	22 x 25	60	1.55	1.5	ELG129M6R3AQ1(1)
6.3	8	15,000	22 x 30	60	1.70	1.9	ELG159M6R3AQ2(1)
6.3	8	18,000	22 x 30	60	1.95	2.3	ELG189M6R3AQ2(1)
6.3	8	22,000	22 x 35	60	2.25	2.8	ELG229M6R3AQ3(1)
6.3	8	27,000	22 x 40	60	2.55	3.0	ELG279M6R3AQ4(1)
6.3	8	33,000	22 x 45	60	2.90	3.0	ELG339M6R3AQ5(1)
6.3	8	15,000	25 x 25	60	1.70	1.9	ELG159M6R3AR1(1)
6.3	8	18,000	25 x 25	60	1.95	2.3	ELG189M6R3AR1(1)
6.3	8	22,000	25 x 30	60	2.25	2.8	ELG229M6R3AR2(1)
6.3	8	27,000	25 x 35	60	2.55	3.0	ELG279M6R3AR3(1)
6.3	8	33,000	25 x 40	60	2.95	3.0	ELG339M6R3AR4(1)
6.3	8	39,000	25 x 50	60	3.25	3.0	ELG399M6R3AR6(1)
6.3	8	47,000	25 x 50	60	3.70	3.0	ELG479M6R3AR6(1)
6.3	8	22,000	30 x 25	60	2.25	2.8	ELG229M6R3AS1(1)
6.3	8	27,000	30 x 30	60	2.55	3.0	ELG279M6R3AS2(1)
6.3	8	33,000	30 x 30	60	2.90	3.0	ELG339M6R3AS2(1)
6.3	8	39,000	30 x 35	60	3.25	3.0	ELG399M6R3AS3(1)
6.3	8	47,000	30 x 40	60	3.70	3.0	ELG479M6R3AS4(1)
6.3	8	56,000	30 x 45	60	4.15	3.0	ELG569M6R3AS5(1)
6.3	8	68,000	30 x 50	60	4.70	3.0	ELG689M6R3AS6(1)
6.3	8	27,000	35 x 25	60	2.55	3.0	ELG279M6R3AT1(1)
6.3	8	33,000	35 x 25	60	2.95	3.0	ELG339M6R3AT1(1)
6.3	8	39,000	35 x 30	60	3.30	3.0	ELG399M6R3AT2(1)
6.3	8	56,000	35 x 35	60	4.10	3.0	ELG569M6R3AT3(1)
6.3	8	68,000	35 x 40	60	4.70	3.0	ELG689M6R3AT4(1)
6.3	8	82,000	35 x 45	60	5.30	3.0	ELG829M6R3AT5(1)
10	13	12,000	22 x 30	55	1.75	2.4	ELG129M010AQ2(1)
10	13	15,000	22 x 30	55	1.90	3.0	ELG159M010AQ2(1)
10	13	18,000	22 x 35	55	2.20	3.0	ELG189M010AQ3(1)
10	13	22,000	22 x 40	55	2.50	3.0	ELG229M010AQ4(1)
10	13	27,000	22 x 50	55	2.95	3.0	ELG279M010AQ6(1)
10	13	10,000	25 x 25	55	1.55	2.0	ELG109M010AR1(1)
10	13	15,000	25 x 25	55	1.90	3.0	ELG159M010AR1(1)
10	13	18,000	25 x 30	55	2.25	3.0	ELG189M010AR2(1)
10	13	22,000	25 x 35	55	2.55	3.0	ELG229M010AR3(1)
10	13	27,000	25 x 40	55	2.90	3.0	ELG279M010AR4(1)
10	13	33,000	25 x 45	55	3.30	3.0	ELG339M010AR5(1)
10	13	39,000	25 x 50	55	3.70	3.0	ELG399M010AR6(1)
10	13	22,000	30 x 25	55	2.45	3.0	ELG229M010AS1(1)
10	13	27,000	30 x 30	55	2.85	3.0	ELG279M010AS2(1)
10	13	33,000	30 x 35	55	3.30	3.0	ELG339M010AS3(1)
10	13	39,000	30 x 40	55	3.70	3.0	ELG399M010AS4(1)
10	13	47,000	30 x 45	55	4.20	3.0	ELG479M010AS5(1)
10	13	56,000	30 x 50	55	4.65	3.0	ELG569M010AS6(1)
10	13	27,000	35 x 25	55	2.80	3.0	ELG279M010AT1(1)
10	13	33,000	35 x 30	55	3.30	3.0	ELG339M010AT2(1)
10	13	39,000	35 x 30	55	3.65	3.0	ELG399M010AT2(1)
10	13	47,000	35 x 35	55	3.80	3.0	ELG479M010AT3(1)
10	13	56,000	35 x 40	55	4.65	3.0	ELG569M010AT4(1)
10	13	68,000	35 x 50	55	5.50	3.0	ELG689M010AT6(1)
16	20	6,800	22 x 25	55	1.55	2.2	ELG688M016AQ1(1)
16	20	8,200	22 x 30	55	1.70	2.6	ELG828M016AQ2(1)
16	20	10,000	22 x 30	55	1.95	3.0	ELG109M016AQ2(1)
16	20	12,000	22 x 35	55	2.20	3.0	ELG129M016AQ3(1)
16	20	15,000	22 x 40	55	2.55	3.0	ELG159M016AQ4(1)
16	20	18,000	22 x 45	55	2.90	3.0	ELG189M016AQ5(1)
16	20	8,200	25 x 25	55	1.70	2.6	ELG828M016AR1(1)
Rated Voltage	Surge Voltage	Rated Capacitance	Case Size	DF	RC	LC	Part Number

(1) Insert packaging code. See Ordering Options Table for available options.

* When capacitance exceeds 1,000 µF, the DF value (%) is increased by 2% for every additional 1,000 µF.

Table 1 – Ratings & Part Number Reference cont.

Rated Voltage	Surge Voltage	Rated Capacitance	Case Size	DF	RC	LC	Part Number
(VDC)	(VDC)	120 Hz 20°C (µF)	D x L (mm)	120 Hz 20°C (tanδ %)*	120 Hz 105°C (A)	20°C 5 minutes (mA)	() Represents Part Number Options
16	20	10,000	25 x 25	55	1.95	3.0	ELG109M016AR1(1)
16	20	12,000	25 x 30	55	2.25	3.0	ELG129M016AR2(1)
16	20	15,000	25 x 35	55	2.60	3.0	ELG159M016AR3(1)
16	20	18,000	25 x 40	55	2.90	3.0	ELG189M016AR4(1)
16	20	22,000	25 x 45	55	3.30	3.0	ELG229M016AR5(1)
16	20	27,000	25 x 50	55	3.80	3.0	ELG279M016AR6(1)
16	20	12,000	30 x 25	55	2.30	3.0	ELG129M016AS1(1)
16	20	15,000	30 x 30	55	2.60	3.0	ELG159M016AS2(1)
16	20	18,000	30 x 30	55	2.90	3.0	ELG189M016AS2(1)
16	20	22,000	30 x 35	55	3.30	3.0	ELG229M016AS3(1)
16	20	27,000	30 x 40	55	3.75	3.0	ELG279M016AS4(1)
16	20	33,000	30 x 45	55	4.30	3.0	ELG339M016AS5(1)
16	20	39,000	30 x 50	55	4.80	3.0	ELG399M016AS6(1)
16	20	15,000	35 x 25	55	2.65	3.0	ELG159M016AT1(1)
16	20	18,000	35 x 25	55	2.95	3.0	ELG189M016AT1(1)
16	20	22,000	35 x 30	55	3.30	3.0	ELG229M016AT2(1)
16	20	27,000	35 x 30	55	3.75	3.0	ELG279M016AT2(1)
16	20	33,000	35 x 35	55	4.25	3.0	ELG339M016AT3(1)
16	20	39,000	35 x 40	55	4.80	3.0	ELG399M016AT4(1)
16	20	47,000	35 x 45	55	5.45	3.0	ELG479M016AT5(1)
16	20	56,000	35 x 45	55	5.65	3.0	ELG569M016AT5(1)
16	20	68,000	35 x 50	55	6.20	3.0	ELG689M016AT6(1)
25	32	4,700	22 x 25	45	1.50	2.4	ELG478M025AQ1(1)
25	32	5,600	22 x 30	45	1.65	2.8	ELG568M025AQ2(1)
25	32	6,800	22 x 30	45	1.85	3.0	ELG688M025AQ2(1)
25	32	8,200	22 x 35	45	2.10	3.0	ELG828M025AQ3(1)
25	32	10,000	22 x 40	45	2.40	3.0	ELG109M025AQ4(1)
25	32	12,000	22 x 45	45	2.70	3.0	ELG129M025AQ5(1)
25	32	5,600	25 x 25	45	1.65	2.8	ELG568M025AR1(1)
25	32	6,800	25 x 25	45	1.85	3.0	ELG688M025AR1(1)
25	32	8,200	25 x 30	45	2.10	3.0	ELG828M025AR2(1)
25	32	10,000	25 x 35	45	2.40	3.0	ELG109M025AR3(1)
25	32	12,000	25 x 40	45	2.75	3.0	ELG129M025AR4(1)
25	32	15,000	25 x 45	45	3.15	3.0	ELG159M025AR5(1)
25	32	18,000	25 x 50	45	3.55	3.0	ELG189M025AR6(1)
25	32	8,200	30 x 25	45	2.15	3.0	ELG828M025AS1(1)
25	32	10,000	30 x 30	45	2.40	3.0	ELG109M025AS2(1)
25	32	12,000	30 x 30	45	2.70	3.0	ELG129M025AS2(1)
25	32	15,000	30 x 35	45	3.15	3.0	ELG159M025AS3(1)
25	32	18,000	30 x 40	45	3.55	3.0	ELG189M025AS4(1)
25	32	22,000	30 x 45	45	4.05	3.0	ELG229M025AS5(1)
25	32	10,000	35 x 25	45	2.40	3.0	ELG109M025AT1(1)
25	32	12,000	35 x 25	45	2.75	3.0	ELG129M025AT1(1)
25	32	15,000	35 x 30	45	3.25	3.0	ELG159M025AT2(1)
25	32	18,000	35 x 35	45	3.55	3.0	ELG189M025AT3(1)
25	32	22,000	35 x 35	45	3.80	3.0	ELG229M025AT3(1)
25	32	27,000	35 x 45	45	4.70	3.0	ELG279M025AT5(1)
25	32	39,000	35 x 45	45	5.50	3.0	ELG399M025AT5(1)
25	32	33,000	35 x 50	45	5.40	3.0	ELG339M025AT6(1)
25	32	47,000	35 x 50	45	6.00	3.0	ELG479M025AT6(1)
35	44	3,300	22 x 25	35	1.40	2.3	ELG338M035AQ1(1)
35	44	3,900	22 x 30	35	1.55	2.7	ELG398M035AQ2(1)
35	44	4,700	22 x 35	35	1.80	3.0	ELG478M035AQ3(1)
35	44	5,600	22 x 35	35	1.95	3.0	ELG568M035AQ3(1)
35	44	6,800	22 x 40	35	2.20	3.0	ELG688M035AQ4(1)
35	44	8,200	22 x 50	35	2.55	3.0	ELG828M035AQ6(1)
35	44	3,900	25 x 25	35	1.55	2.7	ELG398M035AR1(1)
Rated Voltage	Surge Voltage	Rated Capacitance	Case Size	DF	RC	LC	Part Number

(1) Insert packaging code. See Ordering Options Table for available options.

* When capacitance exceeds 1,000 µF, the DF value (%) is increased by 2% for every additional 1,000 µF.

Table 1 – Ratings & Part Number Reference cont.

Rated Voltage	Surge Voltage	Rated Capacitance	Case Size	DF	RC	LC	Part Number
(VDC)	(VDC)	120 Hz 20°C (µF)	D x L (mm)	120 Hz 20°C (tanδ %)*	120 Hz 105°C (A)	20°C 5 minutes (mA)	() Represents Part Number Options
35	44	4,700	25 x 25	35	1.80	3.0	ELG478M035AR1(1)
35	44	5,600	25 x 30	35	1.95	3.0	ELG568M035AR2(1)
35	44	6,800	25 x 35	35	2.25	3.0	ELG688M035AR3(1)
35	44	8,200	25 x 40	35	2.50	3.0	ELG828M035AR4(1)
35	44	10,000	25 x 45	35	2.85	3.0	ELG109M035AR5(1)
35	44	12,000	25 x 50	35	3.25	3.0	ELG129M035AR6(1)
35	44	5,600	30 x 25	35	2.00	3.0	ELG568M035AS1(1)
35	44	6,800	30 x 30	35	2.30	3.0	ELG688M035AS2(1)
35	44	8,200	30 x 30	35	2.75	3.0	ELG828M035AS2(1)
35	44	10,000	30 x 35	35	2.90	3.0	ELG109M035AS3(1)
35	44	12,000	30 x 40	35	3.25	3.0	ELG129M035AS4(1)
35	44	15,000	30 x 45	35	3.70	3.0	ELG159M035AS5(1)
35	44	22,000	30 x 50	35	4.90	3.0	ELG229M035AS6(1)
35	44	6,800	35 x 25	35	2.35	3.0	ELG688M035AT1(1)
35	44	8,200	35 x 25	35	2.75	3.0	ELG828M035AT1(1)
35	44	10,000	35 x 30	35	2.95	3.0	ELG109M035AT2(1)
35	44	12,000	35 x 30	35	3.15	3.0	ELG129M035AT2(1)
35	44	15,000	35 x 35	35	3.65	3.0	ELG159M035AT3(1)
35	44	18,000	35 x 40	35	4.35	3.0	ELG189M035AT4(1)
50	63	1,800	22 x 25	30	1.30	1.8	ELG188M050AQ1(1)
50	63	2,200	22 x 30	30	1.55	2.2	ELG228M050AQ2(1)
50	63	2,700	22 x 30	30	1.70	2.7	ELG278M050AQ2(1)
50	63	3,300	22 x 35	30	1.95	3.0	ELG338M050AQ3(1)
50	63	3,900	22 x 40	30	2.15	3.0	ELG398M050AQ4(1)
50	63	4,700	22 x 45	30	2.45	3.0	ELG478M050AQ5(1)
50	63	5,600	22 x 50	30	2.75	3.0	ELG568M050AQ6(1)
50	63	2,200	25 x 25	30	1.55	2.2	ELG228M050AR1(1)
50	63	2,700	25 x 25	30	1.70	2.7	ELG278M050AR1(1)
50	63	3,300	25 x 30	30	1.85	3.0	ELG338M050AR2(1)
50	63	3,900	25 x 35	30	2.20	3.0	ELG398M050AR3(1)
50	63	4,700	25 x 40	30	2.45	3.0	ELG478M050AR4(1)
50	63	5,600	25 x 40	30	2.70	3.0	ELG568M050AR4(1)
50	63	6,800	25 x 50	30	3.30	3.0	ELG688M050AR6(1)
50	63	3,900	30 x 25	30	1.95	3.0	ELG398M050AS1(1)
50	63	4,700	30 x 30	30	2.45	3.0	ELG478M050AS2(1)
50	63	5,600	30 x 35	30	2.75	3.0	ELG568M050AS3(1)
50	63	6,800	30 x 40	30	3.30	3.0	ELG688M050AS4(1)
50	63	8,200	30 x 45	30	3.60	3.0	ELG828M050AS5(1)
50	63	10,000	30 x 50	30	4.05	3.0	ELG109M050AS6(1)
50	63	4,700	35 x 25	30	2.50	3.0	ELG478M050AT1(1)
50	63	5,600	35 x 30	30	2.75	3.0	ELG568M050AT2(1)
50	63	6,800	35 x 30	30	3.25	3.0	ELG688M050AT2(1)
50	63	8,200	35 x 35	30	3.55	3.0	ELG828M050AT3(1)
50	63	10,000	35 x 40	30	4.00	3.0	ELG109M050AT4(1)
50	63	12,000	35 x 45	30	4.55	3.0	ELG129M050AT5(1)
63	79	1,200	22 x 25	25	1.20	1.5	ELG128M063AQ1(1)
63	79	1,500	22 x 30	25	1.30	1.9	ELG158M063AQ2(1)
63	79	1,800	22 x 30	25	1.50	2.3	ELG188M063AQ2(1)
63	79	2,200	22 x 35	25	1.70	2.8	ELG228M063AQ3(1)
63	79	2,700	22 x 40	25	2.00	3.0	ELG278M063AQ4(1)
63	79	3,300	22 x 50	25	2.30	3.0	ELG338M063AQ6(1)
63	79	1,500	25 x 25	25	1.30	1.9	ELG158M063AR1(1)
63	79	1,800	25 x 25	25	1.50	2.3	ELG188M063AR1(1)
63	79	2,200	25 x 30	25	1.75	2.8	ELG228M063AR2(1)
63	79	2,700	25 x 35	25	2.00	3.0	ELG278M063AR3(1)
63	79	3,300	25 x 40	25	2.30	3.0	ELG338M063AR4(1)
63	79	3,900	25 x 45	25	2.55	3.0	ELG398M063AR5(1)

(1) Insert packaging code. See Ordering Options Table for available options.

* When capacitance exceeds 1,000 µF, the DF value (%) is increased by 2% for every additional 1,000 µF.

Table 1 – Ratings & Part Number Reference cont.

Rated Voltage	Surge Voltage	Rated Capacitance	Case Size	DF	RC	LC	Part Number
(VDC)	(VDC)	120 Hz 20°C (μ F)	D x L (mm)	120 Hz 20°C (tan δ %)*	120 Hz 105°C (A)	20°C 5 minutes (mA)	() Represents Part Number Options
63	79	4,700	25 x 50	25	2.85	3.0	ELG478M063AR6(1)
63	79	2,200	30 x 25	25	1.80	2.8	ELG228M063AS1(1)
63	79	2,700	30 x 25	25	1.95	3.0	ELG278M063AS1(1)
63	79	3,300	30 x 30	25	2.25	3.0	ELG338M063AS2(1)
63	79	3,900	30 x 35	25	2.55	3.0	ELG398M063AS3(1)
63	79	4,700	30 x 40	25	2.85	3.0	ELG478M063AS4(1)
63	79	5,600	30 x 45	25	3.20	3.0	ELG568M063AS5(1)
63	79	6,800	30 x 50	25	3.65	3.0	ELG688M063AS6(1)
63	79	3,300	35 x 25	25	2.10	3.0	ELG338M063AT1(1)
63	79	3,900	35 x 30	25	2.55	3.0	ELG398M063AT2(1)
63	79	4,700	35 x 30	25	2.80	3.0	ELG478M063AT2(1)
63	79	5,600	35 x 35	25	3.20	3.0	ELG568M063AT3(1)
63	79	6,800	35 x 40	25	3.65	3.0	ELG688M063AT4(1)
63	79	8,200	35 x 45	25	3.90	3.0	ELG828M063AT5(1)
63	79	10,000	35 x 50	25	4.40	3.0	ELG109M063AT6(1)
80	100	820	22 x 25	25	1.10	1.3	ELG827M080AQ1(1)
80	100	1,000	22 x 30	25	1.20	1.6	ELG108M080AQ2(1)
80	100	1,200	22 x 30	25	1.40	1.9	ELG128M080AQ2(1)
80	100	1,500	22 x 35	25	1.60	2.4	ELG158M080AQ3(1)
80	100	1,800	22 x 40	25	1.80	2.9	ELG188M080AQ4(1)
80	100	2,200	22 x 45	25	2.05	3.0	ELG228M080AQ5(1)
80	100	1,000	25 x 25	25	1.20	1.6	ELG108M080AR1(1)
80	100	1,200	25 x 25	25	1.40	1.9	ELG128M080AR1(1)
80	100	1,500	25 x 30	25	1.60	2.4	ELG158M080AR2(1)
80	100	1,800	25 x 35	25	1.85	2.9	ELG188M080AR3(1)
80	100	2,200	25 x 35	25	2.00	3.0	ELG228M080AR3(1)
80	100	2,700	25 x 45	25	2.35	3.0	ELG278M080AR5(1)
80	100	3,300	25 x 50	25	2.70	3.0	ELG338M080AR6(1)
80	100	1,500	30 x 25	25	1.65	2.4	ELG158M080AS1(1)
80	100	1,800	30 x 25	25	1.80	2.9	ELG188M080AS1(1)
80	100	2,200	30 x 30	25	2.05	3.0	ELG228M080AS2(1)
80	100	2,700	30 x 35	25	2.35	3.0	ELG278M080AS3(1)
80	100	3,300	30 x 40	25	2.70	3.0	ELG338M080AS4(1)
80	100	3,900	30 x 45	25	3.00	3.0	ELG398M080AS5(1)
80	100	4,700	30 x 50	25	3.40	3.0	ELG478M080AS6(1)
80	100	2,200	35 x 25	25	2.05	3.0	ELG228M080AT1(1)
80	100	2,700	35 x 30	25	2.35	3.0	ELG278M080AT2(1)
80	100	3,300	35 x 30	25	2.55	3.0	ELG338M080AT2(1)
80	100	3,900	35 x 35	25	3.00	3.0	ELG398M080AT3(1)
80	100	4,700	35 x 40	25	3.40	3.0	ELG478M080AT4(1)
80	100	5,600	35 x 45	25	3.80	3.0	ELG568M080AT5(1)
80	100	6,800	35 x 50	25	3.90	3.0	ELG688M080AT6(1)
100	125	560	22 x 25	25	1.05	1.1	ELG567M100AQ1(1)
100	125	680	22 x 25	25	1.20	1.4	ELG687M100AQ1(1)
100	125	820	22 x 30	25	1.30	1.6	ELG827M100AQ2(1)
100	125	1,000	22 x 35	25	1.50	2.0	ELG108M100AQ3(1)
100	125	1,200	22 x 40	25	1.70	2.4	ELG128M100AQ4(1)
100	125	1,500	22 x 45	25	1.95	3.0	ELG158M100AQ5(1)
100	125	820	25 x 25	25	1.33	1.6	ELG827M100AR1(1)
100	125	1,000	25 x 30	25	1.50	2.0	ELG108M100AR2(1)
100	125	1,200	25 x 35	25	1.70	2.4	ELG128M100AR3(1)
100	125	1,500	25 x 40	25	2.00	3.0	ELG158M100AR4(1)
100	125	1,800	25 x 45	25	2.20	3.0	ELG188M100AR5(1)
100	125	2,200	25 x 50	25	2.55	3.0	ELG228M100AR6(1)
100	125	1,200	30 x 25	25	1.70	2.4	ELG128M100AS1(1)
100	125	1,500	30 x 30	25	1.95	3.0	ELG158M100AS2(1)
100	125	1,800	30 x 35	25	2.50	3.0	ELG188M100AS3(1)
Rated Voltage	Surge Voltage	Rated Capacitance	Case Size	DF	RC	LC	Part Number

(1) Insert packaging code. See Ordering Options Table for available options.

* When capacitance exceeds 1,000 μ F, the DF value (%) is increased by 2% for every additional 1,000 μ F.

Table 1 – Ratings & Part Number Reference cont.

Rated Voltage	Surge Voltage	Rated Capacitance	Case Size	DF	RC	LC	Part Number
(VDC)	(VDC)	120 Hz 20°C (μ F)	D x L (mm)	120 Hz 20°C (tan δ %)*	120 Hz 105°C (A)	20°C 5 minutes (mA)	() Represents Part Number Options
100	125	2,200	30 x 40	25	2.70	3.0	ELG228M100AS4(1)
100	125	2,700	30 x 45	25	2.90	3.0	ELG278M100AS5(1)
100	125	3,300	30 x 50	25	3.25	3.0	ELG338M100AS6(1)
100	125	3,900	30 x 50	25	3.70	3.0	ELG398M100AS6(1)
100	125	1,500	35 x 25	25	2.00	3.0	ELG158M100AT1(1)
100	125	1,800	35 x 30	25	2.45	3.0	ELG188M100AT2(1)
100	125	2,200	35 x 30	25	2.55	3.0	ELG228M100AT2(1)
100	125	2,700	35 x 35	25	2.85	3.0	ELG278M100AT3(1)
100	125	3,300	35 x 40	25	3.25	3.0	ELG338M100AT4(1)
100	125	3,900	35 x 45	25	3.70	3.0	ELG398M100AT5(1)
100	125	4,700	35 x 50	25	3.80	3.0	ELG478M100AT6(1)
100	125	6,800	35 x 50	15	3.9	3.0	ELG688M100AT6(1)
160	200	220	22 x 20	15	0.80	1.1	ELG227M160AQ7(1)
160	200	270	22 x 25	15	1.00	0.9	ELG277M160AQ1(1)
160	200	330	22 x 25	15	1.20	1.1	ELG337M160AQ1(1)
160	200	390	22 x 30	15	1.30	1.2	ELG397M160AQ2(1)
160	200	470	22 x 30	15	1.30	1.5	ELG477M160AQ2(1)
160	200	470	22 x 35	15	1.40	1.5	ELG477M160AQ3(1)
160	200	560	22 x 40	15	1.50	1.8	ELG567M160AQ4(1)
160	200	680	22 x 45	15	1.70	2.2	ELG687M160AQ5(1)
160	200	820	22 x 50	15	1.95	2.6	ELG827M160AQ6(1)
160	200	330	25 x 20	15	1.15	1.6	ELG337M160AR7(1)
160	200	390	25 x 25	15	1.30	1.2	ELG397M160AR1(1)
160	200	470	25 x 25	15	1.40	1.5	ELG477M160AR1(1)
160	200	560	25 x 30	15	1.50	1.8	ELG567M160AR2(1)
160	200	680	25 x 35	15	1.70	2.2	ELG687M160AR3(1)
160	200	820	25 x 40	15	2.00	2.6	ELG827M160AR4(1)
160	200	1,000	25 x 45	15	2.20	3.0	ELG108M160AR5(1)
160	200	1,200	25 x 50	15	2.45	3.0	ELG128M160AR6(1)
160	200	560	30 x 25	15	1.50	1.8	ELG567M160AS1(1)
160	200	680	30 x 25	15	1.70	2.2	ELG687M160AS1(1)
160	200	820	30 x 30	15	2.00	2.6	ELG827M160AS2(1)
160	200	1,000	30 x 35	15	2.20	3.0	ELG108M160AS3(1)
160	200	1,200	30 x 40	15	2.45	3.0	ELG128M160AS4(1)
160	200	1,500	30 x 45	15	2.80	3.0	ELG158M160AS5(1)
160	200	1,800	30 x 50	15	3.30	3.0	ELG188M160AS6(1)
160	200	820	35 x 25	15	1.90	2.6	ELG827M160AT1(1)
160	200	1,000	35 x 30	15	2.20	3.0	ELG108M160AT2(1)
160	200	1,200	35 x 30	15	2.45	3.0	ELG128M160AT2(1)
160	200	1,500	35 x 35	15	2.80	3.0	ELG158M160AT3(1)
160	200	1,800	35 x 45	15	3.30	3.0	ELG188M160AT5(1)
160	200	2,200	35 x 45	15	3.30	3.0	ELG228M160AT5(1)
160	200	2,200	35 x 50	15	3.75	3.0	ELG228M160AT6(1)
180	225	180	22 x 20	15	0.75	1.0	ELG187M180AQ7(1)
180	225	220	22 x 25	15	0.85	0.8	ELG227M180AQ1(1)
180	225	270	22 x 25	15	0.95	1.0	ELG277M180AQ1(1)
180	225	330	22 x 25	15	1.10	1.2	ELG337M180AQ1(1)
180	225	330	22 x 30	15	1.10	1.2	ELG337M180AQ2(1)
180	225	390	22 x 30	15	1.30	1.4	ELG397M180AQ2(1)
180	225	470	22 x 30	15	1.30	1.7	ELG477M180AQ2(1)
180	225	470	22 x 35	15	1.35	1.7	ELG477M180AQ3(1)
180	225	560	22 x 40	15	1.50	2.0	ELG567M180AQ4(1)
180	225	680	22 x 45	15	1.70	2.4	ELG687M180AQ5(1)
180	225	680	22 x 50	15	1.70	2.4	ELG687M180AQ6(1)
180	225	820	22 x 50	15	1.95	3.0	ELG827M180AQ6(1)
180	225	270	25 x 20	15	0.90	1.5	ELG277M180AR7(1)
180	225	330	25 x 25	15	1.10	1.2	ELG337M180AR1(1)

(1) Insert packaging code. See Ordering Options Table for available options.

* When capacitance exceeds 1,000 μ F, the DF value (%) is increased by 2% for every additional 1,000 μ F.

Table 1 – Ratings & Part Number Reference cont.

Rated Voltage	Surge Voltage	Rated Capacitance	Case Size	DF	RC	LC	Part Number
(VDC)	(VDC)	120 Hz 20°C (µF)	D x L (mm)	120 Hz 20°C (tanδ %)*	120 Hz 105°C (A)	20°C 5 minutes (mA)	() Represents Part Number Options
180	225	390	25 x 25	15	1.30	1.4	ELG397M180AR1(1)
180	225	470	25 x 30	15	1.40	1.7	ELG477M180AR2(1)
180	225	560	25 x 35	15	1.55	2.0	ELG567M180AR3(1)
180	225	680	25 x 35	15	1.70	2.4	ELG687M180AR3(1)
180	225	680	25 x 40	15	1.75	2.4	ELG687M180AR4(1)
180	225	820	25 x 40	15	2.00	3.0	ELG827M180AR4(1)
180	225	820	25 x 45	15	2.00	3.0	ELG827M180AR5(1)
180	225	1,000	25 x 45	15	2.20	3.0	ELG108M180AR5(1)
180	225	1,000	25 x 50	15	2.20	3.0	ELG108M180AR6(1)
180	225	1,200	25 x 50	15	2.45	3.0	ELG128M180AR6(1)
180	225	470	30 x 25	15	1.40	1.7	ELG477M180AS1(1)
180	225	560	30 x 25	15	1.50	2.0	ELG567M180AS1(1)
180	225	680	30 x 30	15	1.70	2.4	ELG687M180AS2(1)
180	225	820	30 x 30	15	2.00	3.0	ELG827M180AS2(1)
180	225	820	30 x 35	15	2.00	3.0	ELG827M180AS3(1)
180	225	1,000	30 x 35	15	2.25	3.0	ELG108M180AS3(1)
180	225	1,000	30 x 40	15	2.25	3.0	ELG108M180AS4(1)
180	225	1,200	30 x 40	15	2.45	3.0	ELG128M180AS4(1)
180	225	1,200	30 x 45	15	2.50	3.0	ELG128M180AS5(1)
180	225	1,500	30 x 45	15	2.80	3.0	ELG158M180AS5(1)
180	225	1,500	30 x 50	15	2.90	3.0	ELG158M180AS6(1)
180	225	1,800	30 x 50	15	3.30	3.0	ELG188M180AS6(1)
180	225	680	35 x 25	15	1.70	2.4	ELG687M180AT1(1)
180	225	820	35 x 25	15	1.90	3.0	ELG827M180AT1(1)
180	225	1,000	35 x 30	15	2.25	3.0	ELG108M180AT2(1)
180	225	1,200	35 x 30	15	2.50	3.0	ELG128M180AT2(1)
180	225	1,200	35 x 35	15	2.50	3.0	ELG128M180AT3(1)
180	225	1,500	35 x 35	15	2.90	3.0	ELG158M180AT3(1)
180	225	1,500	35 x 40	15	2.90	3.0	ELG158M180AT4(1)
180	225	1,800	35 x 50	15	3.30	3.0	ELG188M180AT6(1)
180	225	2,200	35 x 50	15	3.60	3.0	ELG228M180AT6(1)
200	250	150	22 x 20	15	0.65	0.9	ELG157M200AQ7(1)
200	250	180	22 x 20	15	0.70	1.1	ELG187M200AQ7(1)
200	250	220	22 x 25	15	0.80	0.9	ELG227M200AQ1(1)
200	250	270	22 x 25	15	0.85	1.1	ELG277M200AQ1(1)
200	250	330	22 x 30	15	1.20	1.3	ELG337M200AQ2(1)
200	250	390	22 x 30	15	1.30	1.6	ELG397M200AQ2(1)
200	250	390	22 x 35	15	1.30	1.6	ELG397M200AQ3(1)
200	250	470	22 x 35	15	1.40	1.9	ELG477M200AQ3(1)
200	250	470	22 x 40	15	1.40	1.9	ELG477M200AQ4(1)
200	250	560	22 x 40	15	1.40	2.2	ELG567M200AQ4(1)
200	250	560	22 x 45	15	1.55	2.2	ELG567M200AQ5(1)
200	250	680	22 x 50	15	1.75	2.7	ELG687M200AQ6(1)
200	250	220	25 x 20	15	0.80	1.3	ELG227M200AR7(1)
200	250	270	25 x 25	15	0.85	1.1	ELG277M200AR1(1)
200	250	330	25 x 25	15	1.20	1.3	ELG337M200AR1(1)
200	250	390	25 x 25	15	1.30	1.6	ELG397M200AR1(1)
200	250	390	25 x 30	15	1.30	1.6	ELG397M200AR2(1)
200	250	470	25 x 30	15	1.40	1.9	ELG477M200AR2(1)
200	250	560	25 x 35	15	1.55	2.2	ELG567M200AR3(1)
200	250	680	25 x 40	15	1.75	2.7	ELG687M200AR4(1)
200	250	820	25 x 50	15	2.05	3.0	ELG827M200AR6(1)
200	250	390	30 x 25	15	1.30	1.6	ELG397M200AS1(1)
200	250	470	30 x 25	15	1.50	1.9	ELG477M200AS1(1)
200	250	560	30 x 30	15	1.55	2.2	ELG567M200AS2(1)
200	250	680	30 x 30	15	1.75	2.7	ELG687M200AS2(1)
200	250	820	30 x 35	15	2.00	3.0	ELG827M200AS3(1)
Rated Voltage	Surge Voltage	Rated Capacitance	Case Size	DF	RC	LC	Part Number

(1) Insert packaging code. See Ordering Options Table for available options.

* When capacitance exceeds 1,000 µF, the DF value (%) is increased by 2% for every additional 1,000 µF.

Table 1 – Ratings & Part Number Reference cont.

Rated Voltage	Surge Voltage	Rated Capacitance	Case Size	DF	RC	LC	Part Number
(VDC)	(VDC)	120 Hz 20°C (µF)	D x L (mm)	120 Hz 20°C (tanδ %)*	120 Hz 105°C (A)	20°C 5 minutes (mA)	() Represents Part Number Options
200	250	1,000	30 x 40	15	2.30	3.0	ELG108M200AS4(1)
200	250	1,200	30 x 45	15	2.30	3.0	ELG128M200AS5(1)
200	250	1,000	30 x 45	15	2.30	3.0	ELG108M200AS5(1)
200	250	1,200	30 x 50	15	2.60	3.0	ELG128M200AS6(1)
200	250	680	35 x 25	15	1.70	2.7	ELG687M200AT1(1)
200	250	820	35 x 30	15	2.05	3.0	ELG827M200AT2(1)
200	250	1,000	35 x 30	15	2.30	3.0	ELG108M200AT2(1)
200	250	1,000	35 x 35	15	2.30	3.0	ELG108M200AT3(1)
200	250	1,200	35 x 40	15	2.65	3.0	ELG128M200AT4(1)
200	250	1,500	35 x 45	15	3.10	3.0	ELG158M200AT5(1)
200	250	1,800	35 x 50	15	3.15	3.0	ELG188M200AT6(1)
250	300	120	22 x 20	15	0.60	0.9	ELG127M250AQ7(1)
250	300	150	22 x 25	15	0.65	0.8	ELG157M250AQ1(1)
250	300	180	22 x 25	15	0.80	0.9	ELG187M250AQ1(1)
250	300	220	22 x 30	15	0.95	1.1	ELG227M250AQ2(1)
250	300	270	22 x 35	15	1.15	1.4	ELG277M250AQ3(1)
250	300	330	22 x 35	15	1.15	1.7	ELG337M250AQ3(1)
250	300	330	22 x 40	15	1.25	1.7	ELG337M250AQ4(1)
250	300	390	22 x 45	15	1.50	2.0	ELG397M250AQ5(1)
250	300	470	22 x 50	15	1.55	2.4	ELG477M250AQ6(1)
250	300	180	25 x 20	15	0.75	1.4	ELG187M250AR7(1)
250	300	220	25 x 25	15	0.95	1.1	ELG227M250AR1(1)
250	300	270	25 x 30	15	1.15	1.4	ELG277M250AR2(1)
250	300	330	25 x 30	15	1.20	1.7	ELG337M250AR2(1)
250	300	390	25 x 35	15	1.50	2.0	ELG397M250AR3(1)
250	300	470	25 x 35	15	1.50	2.4	ELG477M250AR3(1)
250	300	470	25 x 40	15	1.55	2.4	ELG477M250AR4(1)
250	300	560	25 x 45	15	1.80	2.8	ELG567M250AR5(1)
250	300	680	25 x 50	15	1.95	3.0	ELG687M250AR6(1)
250	300	270	30 x 25	15	1.15	1.4	ELG277M250AS1(1)
250	300	330	30 x 25	15	1.25	1.7	ELG337M250AS1(1)
250	300	390	30 x 30	15	1.50	2.0	ELG397M250AS2(1)
250	300	470	30 x 30	15	1.55	2.4	ELG477M250AS2(1)
250	300	560	30 x 35	15	1.80	2.8	ELG567M250AS3(1)
250	300	680	30 x 35	15	2.00	3.0	ELG687M250AS3(1)
250	300	680	30 x 40	15	2.00	3.0	ELG687M250AS4(1)
250	300	820	30 x 40	15	2.00	3.0	ELG827M250AS4(1)
250	300	820	30 x 45	15	2.15	3.0	ELG827M250AS5(1)
250	300	470	35 x 25	15	1.55	2.4	ELG477M250AT1(1)
250	300	560	35 x 30	15	1.80	2.8	ELG567M250AT2(1)
250	300	680	35 x 35	15	2.00	3.0	ELG687M250AT3(1)
250	300	820	35 x 35	15	2.10	3.0	ELG827M250AT3(1)
250	300	1,000	35 x 40	15	2.30	3.0	ELG108M250AT4(1)
250	300	1,200	35 x 45	15	2.80	3.0	ELG128M250AT5(1)
250	300	1,500	35 x 50	15	3.63	3.0	ELG158M250AT6(1)
350	400	56	22 x 20	15	0.40	0.6	ELG566M350AQ7(1)
350	400	68	22 x 25	15	0.45	0.5	ELG686M350AQ1(1)
350	400	82	22 x 25	15	0.55	0.6	ELG826M350AQ1(1)
350	400	100	22 x 30	15	0.70	0.7	ELG107M350AQ2(1)
350	400	120	22 x 35	15	0.75	0.8	ELG127M350AQ3(1)
350	400	150	22 x 40	15	0.80	1.1	ELG157M350AQ4(1)
350	400	180	22 x 45	15	0.90	1.3	ELG187M350AQ5(1)
350	400	220	22 x 50	15	1.05	1.5	ELG227M350AQ6(1)
350	400	82	25 x 20	15	0.50	0.9	ELG826M350AR7(1)
350	400	100	25 x 25	15	0.70	0.7	ELG107M350AR1(1)
350	400	120	25 x 30	15	0.75	0.8	ELG127M350AR2(1)
350	400	150	25 x 30	15	0.80	1.1	ELG157M350AR2(1)

(1) Insert packaging code. See Ordering Options Table for available options.

* When capacitance exceeds 1,000 µF, the DF value (%) is increased by 2% for every additional 1,000 µF.

Table 1 – Ratings & Part Number Reference cont.

Rated Voltage	Surge Voltage	Rated Capacitance	Case Size	DF	RC	LC	Part Number
(VDC)	(VDC)	120 Hz 20°C (µF)	D x L (mm)	120 Hz 20°C (tanδ %)*	120 Hz 105°C (A)	20°C 5 minutes (mA)	() Represents Part Number Options
350	400	180	25 x 35	15	0.90	1.3	ELG187M350AR3(1)
350	400	220	25 x 40	15	1.05	1.5	ELG227M350AR4(1)
350	400	270	25 x 45	15	1.20	1.9	ELG277M350AR5(1)
350	400	120	30 x 25	15	0.75	0.8	ELG127M350AS1(1)
350	400	150	30 x 25	15	0.85	1.1	ELG157M350AS1(1)
350	400	180	30 x 30	15	0.90	1.3	ELG187M350AS2(1)
350	400	220	30 x 30	15	1.00	1.5	ELG227M350AS2(1)
350	400	270	30 x 35	15	1.20	1.9	ELG277M350AS3(1)
350	400	330	30 x 40	15	1.35	2.3	ELG337M350AS4(1)
350	400	390	30 x 45	15	1.50	2.7	ELG397M350AS5(1)
350	400	220	35 x 25	15	1.05	1.5	ELG227M350AT1(1)
350	400	270	35 x 30	15	1.20	1.9	ELG277M350AT2(1)
350	400	330	35 x 35	15	1.35	2.3	ELG337M350AT3(1)
350	400	390	35 x 35	15	1.50	2.7	ELG397M350AT3(1)
350	400	470	35 x 40	15	1.70	3.0	ELG477M350AT4(1)
350	400	560	35 x 45	15	1.90	3.0	ELG567M350AT5(1)
400	450	47	22 x 20	15	0.35	0.6	ELG476M400AQ7(1)
400	450	56	22 x 20	15	0.40	0.7	ELG566M400AQ7(1)
400	450	68	22 x 25	15	0.50	0.5	ELG686M400AQ1(1)
400	450	82	22 x 25	15	0.52	0.7	ELG826M400AQ1(1)
400	450	82	22 x 30	15	0.60	0.7	ELG826M400AQ2(1)
400	450	100	22 x 30	15	0.60	0.8	ELG107M400AQ2(1)
400	450	120	22 x 30	15	0.62	1.0	ELG127M400AQ2(1)
400	450	100	22 x 35	15	0.65	0.8	ELG107M400AQ3(1)
400	450	120	22 x 35	15	0.70	1.0	ELG127M400AQ3(1)
400	450	150	22 x 35	15	0.72	1.2	ELG157M400AQ3(1)
400	450	150	22 x 40	15	0.80	1.2	ELG157M400AQ4(1)
400	450	180	22 x 40	15	0.81	1.4	ELG187M400AQ4(1)
400	450	180	22 x 50	15	0.95	1.4	ELG187M400AQ6(1)
400	450	68	25 x 20	15	0.50	0.8	ELG686M400AR7(1)
400	450	82	25 x 25	15	0.65	0.7	ELG826M400AR1(1)
400	450	100	25 x 30	15	0.65	0.8	ELG107M400AR2(1)
400	450	120	25 x 30	15	0.70	1.0	ELG127M400AR2(1)
400	450	150	25 x 30	15	0.85	1.2	ELG157M400AR2(1)
400	450	150	25 x 35	15	0.85	1.2	ELG157M400AR3(1)
400	450	180	25 x 40	15	0.95	1.4	ELG187M400AR4(1)
400	450	220	25 x 45	15	1.05	1.8	ELG227M400AR5(1)
400	450	270	25 x 45	15	1.10	2.2	ELG277M400AR5(1)
400	450	270	25 x 50	15	1.20	2.2	ELG277M400AR6(1)
400	450	330	25 x 50	15	1.25	2.6	ELG337M400AR6(1)
400	450	120	30 x 25	15	0.75	1.0	ELG127M400AS1(1)
400	450	150	30 x 30	15	0.85	1.2	ELG157M400AS2(1)
400	450	180	30 x 30	15	0.90	1.4	ELG187M400AS2(1)
400	450	220	30 x 35	15	1.05	1.8	ELG227M400AS3(1)
400	450	270	30 x 40	15	1.20	2.2	ELG277M400AS4(1)
400	450	390	30 x 40	15	1.35	3.0	ELG397M400AS4(1)
400	450	330	30 x 45	15	1.40	2.6	ELG337M400AS5(1)
400	450	390	30 x 45	15	1.42	3.0	ELG397M400AS5(1)
400	450	470	30 x 45	15	1.45	3.0	ELG477M400AS5(1)
400	450	390	30 x 50	15	1.55	3.0	ELG397M400AS6(1)
400	450	470	30 x 50	15	1.75	3.0	ELG477M400AS6(1)
400	450	560	30 x 60	15	1.90	3.0	ELG567M400AS8(1)
400	450	150	35 x 25	15	0.80	1.2	ELG157M400AT1(1)
400	450	220	35 x 30	15	1.10	1.8	ELG227M400AT2(1)
400	450	270	35 x 35	15	1.20	2.2	ELG277M400AT3(1)
400	450	330	35 x 35	15	1.35	2.6	ELG337M400AT3(1)
400	450	390	35 x 40	15	1.55	3.0	ELG397M400AT4(1)
Rated Voltage	Surge Voltage	Rated Capacitance	Case Size	DF	RC	LC	Part Number

(1) Insert packaging code. See Ordering Options Table for available options.

* When capacitance exceeds 1,000 µF, the DF value (%) is increased by 2% for every additional 1,000 µF.

Table 1 – Ratings & Part Number Reference cont.

Rated Voltage	Surge Voltage	Rated Capacitance	Case Size	DF	RC	LC	Part Number
(VDC)	(VDC)	120 Hz 20°C (µF)	D x L (mm)	120 Hz 20°C (tanδ %)*	120 Hz 105°C (A)	20°C 5 minutes (mA)	() Represents Part Number Options
400	450	470	35 x 40	15	1.65	3.0	ELG477M400AT4(1)
400	450	470	35 x 45	15	1.75	3.0	ELG477M400AT5(1)
400	450	560	35 x 45	15	1.80	3.0	ELG567M400AT5(1)
400	450	560	35 x 50	15	1.90	3.0	ELG567M400AT6(1)
400	450	680	35 x 50	15	2.10	3.0	ELG687M400AT6(1)
400	450	1,000	35 x 50	15	1.72	3.0	ELG108M400AT6(1)
400	450	680	35 x 60	15	2.15	3.0	ELG687M400AT8(1)
420	470	150	22 x 35	20	0.58	1.3	ELG157M420AQ3(1)
420	470	150	22 x 40	20	0.65	1.3	ELG157M420AQ4(1)
420	470	180	22 x 40	20	0.68	1.5	ELG187M420AQ4(1)
420	470	150	25 x 30	20	0.70	1.3	ELG157M420AR2(1)
420	470	180	25 x 35	20	0.68	1.5	ELG187M420AR3(1)
420	470	220	25 x 40	20	0.85	1.8	ELG227M420AR4(1)
420	470	220	25 x 45	20	0.95	1.8	ELG227M420AR5(1)
420	470	270	25 x 45	20	1.05	2.3	ELG277M420AQ5(1)
420	470	330	25 x 50	20	1.15	2.8	ELG337M420AR6(1)
420	470	220	30 x 40	20	0.95	1.8	ELG227M420AS4(1)
420	470	270	30 x 40	20	1.05	2.3	ELG277M420AS4(1)
420	470	330	30 x 40	20	1.15	2.8	ELG337M420AS4(1)
420	470	390	30 x 45	20	1.25	3.0	ELG397M420AS5(1)
420	470	470	30 x 50	20	1.40	3.0	ELG477M420AS6(1)
420	470	270	35 x 30	20	1.05	2.3	ELG277M420AT2(1)
420	470	330	35 x 35	20	1.15	2.8	ELG337M420AT3(1)
420	470	470	35 x 40	20	1.35	3.0	ELG477M420AT4(1)
420	470	560	35 x 45	20	1.65	3.0	ELG567M420AT5(1)
450	500	47	22 x 25	20	0.38	0.4	ELG476M450AQ1(1)
450	500	56	22 x 25	20	0.40	0.5	ELG566M450AQ1(1)
450	500	68	22 x 30	20	0.50	0.6	ELG686M450AQ2(1)
450	500	82	22 x 30	20	0.52	0.7	ELG826M450AQ2(1)
450	500	100	22 x 30	20	0.55	0.9	ELG107M450AQ2(1)
450	500	82	22 x 35	20	0.55	0.7	ELG826M450AQ3(1)
450	500	120	22 x 35	20	0.60	1.1	ELG127M450AQ3(1)
450	500	100	22 x 40	20	0.65	0.9	ELG107M450AQ4(1)
450	500	150	22 x 40	20	0.68	1.4	ELG157M450AQ4(1)
450	500	120	22 x 45	20	0.70	1.1	ELG127M450AQ5(1)
450	500	180	22 x 45	20	0.75	1.6	ELG187M450AQ5(1)
450	500	150	22 x 50	20	0.80	1.4	ELG157M450AQ6(1)
450	500	220	22 x 50	20	0.85	2.0	ELG227M450AQ6(1)
450	500	68	25 x 25	20	0.50	0.6	ELG686M450AR1(1)
450	500	82	25 x 30	20	0.55	0.7	ELG826M450AR2(1)
450	500	100	25 x 30	20	0.60	0.9	ELG107M450AR2(1)
450	500	120	25 x 35	20	0.70	1.1	ELG127M450AR3(1)
450	500	150	25 x 40	20	0.80	1.4	ELG157M450AR4(1)
450	500	180	25 x 45	20	0.85	1.6	ELG187M450AR5(1)
450	500	220	25 x 50	20	1.00	2.0	ELG227M450AR6(1)
450	500	270	25 x 50	20	1.05	2.4	ELG277M450AQ6(1)
450	500	82	30 x 25	20	0.55	0.7	ELG826M450AS1(1)
450	500	100	30 x 25	20	0.65	0.9	ELG107M450AS1(1)
450	500	120	30 x 30	20	0.70	1.1	ELG127M450AS2(1)
450	500	150	30 x 30	20	0.75	1.4	ELG157M450AS2(1)
450	500	180	30 x 35	20	0.85	1.6	ELG187M450AS3(1)
450	500	220	30 x 40	20	1.00	2.0	ELG227M450AS4(1)
450	500	270	30 x 45	20	1.15	2.4	ELG277M450AS5(1)
450	500	330	30 x 45	20	1.25	3.0	ELG337M450AS5(1)
450	500	330	30 x 50	20	1.40	3.0	ELG337M450AS6(1)
450	500	390	30 x 50	20	1.40	3.0	ELG397M450AS6(1)
450	500	120	35 x 25	20	0.70	1.1	ELG127M450AT1(1)

(1) Insert packaging code. See Ordering Options Table for available options.

* When capacitance exceeds 1,000 µF, the DF value (%) is increased by 2% for every additional 1,000 µF.

Table 1 – Ratings & Part Number Reference cont.

Rated Voltage	Surge Voltage	Rated Capacitance	Case Size	DF	RC	LC	Part Number
(VDC)	(VDC)	120 Hz 20°C (μ F)	D x L (mm)	120 Hz 20°C (tan δ %)*	120 Hz 105°C (A)	20°C 5 minutes (mA)	() Represents Part Number Options
450	500	150	35 x 25	20	0.75	1.4	ELG157M450AT1(1)
450	500	180	35 x 30	20	0.85	1.6	ELG187M450AT2(1)
450	500	220	35 x 30	20	1.00	2.0	ELG227M450AT2(1)
450	500	270	35 x 35	20	1.15	2.4	ELG277M450AT3(1)
450	500	330	35 x 40	20	1.40	3.0	ELG337M450AT4(1)
450	500	390	35 x 45	20	1.55	3.0	ELG397M450AT5(1)
450	500	470	35 x 45	20	1.68	3.0	ELG477M450AT5(1)
450	500	470	35 x 50	20	1.70	3.0	ELG477M450AT6(1)
450	500	560	35 x 50	20	1.80	3.0	ELG567M450AT6(1)
450	500	560	35 x 60	20	2.10	3.0	ELG567M450AT8(1)
500	550	47	22 x 25	25	0.51	0.5	ELG476M500AQ1(1)
500	550	56	22 x 30	25	0.58	0.6	ELG566M500AQ2(1)
500	550	82	22 x 35	25	0.72	0.8	ELG826M500AQ3(1)
500	550	100	22 x 45	25	0.83	1.0	ELG107M500AQ5(1)
500	550	120	22 x 50	25	0.93	1.2	ELG127M500AQ6(1)
500	550	68	25 x 25	25	0.65	0.7	ELG686M500AR1(1)
500	550	82	25 x 30	25	0.74	0.8	ELG826M500AR2(1)
500	550	120	25 x 35	25	0.93	1.2	ELG127M500AR3(1)
500	550	150	25 x 45	25	1.08	1.5	ELG157M500AS5(1)
500	550	180	25 x 50	25	1.20	1.8	ELG187M500AR6(1)
500	550	100	30 x 25	25	0.82	1.0	ELG107M500AS1(1)
500	550	120	30 x 30	25	0.91	1.2	ELG127M500AS2(1)
500	550	150	30 x 35	25	1.04	1.5	ELG157M500AS3(1)
500	550	180	30 x 40	25	1.17	1.8	ELG187M500AS4(1)
500	550	220	30 x 45	25	1.33	2.2	ELG227M500AS5(1)
500	550	270	30 x 50	25	1.50	2.7	ELG277M500AS6(1)
500	550	150	35 x 25	25	0.99	1.5	ELG157M500AT1(1)
500	550	180	35 x 30	25	1.10	1.8	ELG187M500AT2(1)
500	550	220	35 x 35	25	1.23	2.2	ELG227M500AT3(1)
500	550	270	35 x 40	25	1.42	2.7	ELG277M500AT4(1)
500	550	330	35 x 45	25	1.60	3.0	ELG337M500AT5(1)
500	550	390	35 x 50	25	1.78	3.0	ELG337M500AT6(1)
500	550	470	35 x 60	25	2.03	3.0	ELG477M500AT8(1)
Rated Voltage	Surge Voltage	Rated Capacitance	Case Size	DF	RC	LC	Part Number

(1) Insert packaging code. See Ordering Options Table for available options.

* When capacitance exceeds 1,000 μ F, the DF value (%) is increased by 2% for every additional 1,000 μ F.

Mounting Positions (Safety Vent)

In operation, electrolytic capacitors will always conduct a leakage current, which causes electrolysis. The oxygen produced by electrolysis will regenerate the dielectric layer but, at the same time, the hydrogen released may cause the internal pressure of the capacitor to increase. The overpressure vent, or safety vent, ensures that the gas can escape when the pressure reaches a certain value. All mounting positions must allow the safety vent to work properly.

Installing

- As a general principle, lower-use temperatures result in a longer, useful life of the capacitor. For this reason, it should be ensured that electrolytic capacitors are placed away from heat-emitting components. Adequate space should be allowed between components for cooling air to circulate, particularly when high ripple current loads are applied. In any case, the maximum category temperature must not be exceeded.
- Do not deform the case of the capacitors or use capacitors with a deformed case.
- Verify that the connections of the capacitors are able to insert on the board without excessive mechanical force.
- If the capacitors require mounting through additional means, the recommended mounting accessories shall be used.
- Verify the correct polarization of the capacitor on the board.
- Verify that the space around the pressure relief device is according to the following guideline:

Case Diameter	Space Around Safety Vent
≤ 16 mm	> 2 mm
> 16 to ≤ 40 mm	> 3 mm
> 40 mm	> 5 mm

It is recommended that capacitors always be mounted with the safety device uppermost or in the upper part of the capacitor.

- If the capacitors are stored for a long time, the leakage current must be verified. If the leakage current is superior to the value listed in this catalog, the capacitors must be reformed. In this case, they can be reformed by application of the rated voltage through a series resistor approximately 1 kΩ for capacitors with $V_R \leq 160$ V (5 W resistor) and 10 kΩ for the other rated voltages.
- In the case of capacitors connected in a series, a suitable voltage sharing must be used.
In the case of balancing resistors, the approximate resistance value can be calculated as: $R = 60/C$.

KEMET recommends, nevertheless, to ensure that the voltage across each capacitor does not exceed its rated voltage.

Application & Operation Guidelines

Electrical Ratings:

Capacitance (ESC)



Simplified equivalent circuit diagram of an electrolytic capacitor

The capacitive component of the equivalent series circuit, (equivalent series capacitance - ESC), is determined by applying an alternate voltage of ≤ 0.5 V at a frequency of 120 or 100 Hz and 20°C (IEC 384-1, 384-4).

Temperature Dependence of the Capacitance

Capacitance of an electrolytic capacitor depends upon temperature: with decreasing temperature the viscosity of the electrolyte increases, thereby reducing its conductivity.

Capacitance will decrease if temperature decreases. Furthermore, temperature drifts cause armature dilatation and, therefore, capacitance changes (up to 20% depending on the series considered, from 0 to 80°C). This phenomenon is more evident for electrolytic capacitors than for other types.

Frequency Dependence of the Capacitance

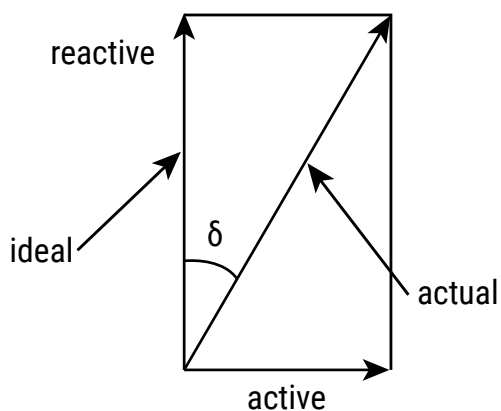
Effective capacitance value is derived from the impedance curve, as long as impedance is still in the range where the capacitance component is dominant.

$$C = \frac{1}{2\pi fZ}$$

C = capacitance (F)
 f = frequency (Hz)
 Z = impedance (Ω)

Dissipation Factor $\tan \delta$ (DF)

Dissipation Factor $\tan \delta$ is the ratio between the active and reactive power for a sinusoidal waveform voltage. It can be thought of as a measurement of the gap between an actual and ideal capacitor.



$\tan \delta$ is measured with the same set-up used for the series capacitance ESC.

$\tan \delta = \omega \times \text{ESC} \times \text{ESR}$ where:

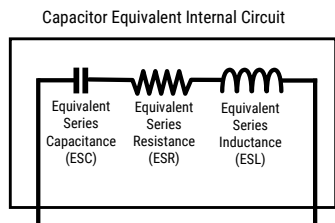
ESC = Equivalent series capacitance

ESR = Equivalent series resistance

Application & Operation Guidelines cont.

Equivalent Series Inductance (ESL)

Equivalent series inductance or self inductance results from the terminal configuration and internal design of the capacitor.



Equivalent Series Resistance (ESR)

Equivalent series resistance is the resistive component of the equivalent series circuit. ESR value depends on frequency and temperature, and is related to the $\tan \delta$ by the following equation:

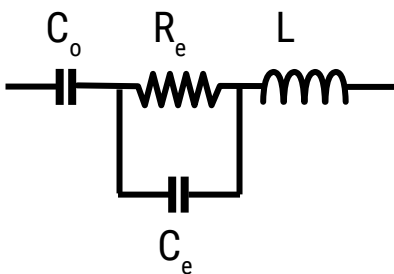
$$ESR = \frac{\tan \delta}{2\pi f ESC}$$

ESR = Equivalent series resistance (Ω)
 $\tan \delta$ = Dissipation factor
 ESC = Equivalent series capacitance (F)
 f = Frequency (Hz)

Tolerance limits of the rated capacitance must be taken into account when calculating this value.

Impedance (Z)

Impedance of an electrolytic capacitor results from a circuit formed by the following individual equivalent series components:



C_o = Aluminum oxide capacitance (surface and thickness of the dielectric.)

R_e = Resistance of electrolyte and paper mixture (other resistances not depending on the frequency are not considered: tabs, plates, etc.)

C_e = Electrolyte soaked paper capacitance.

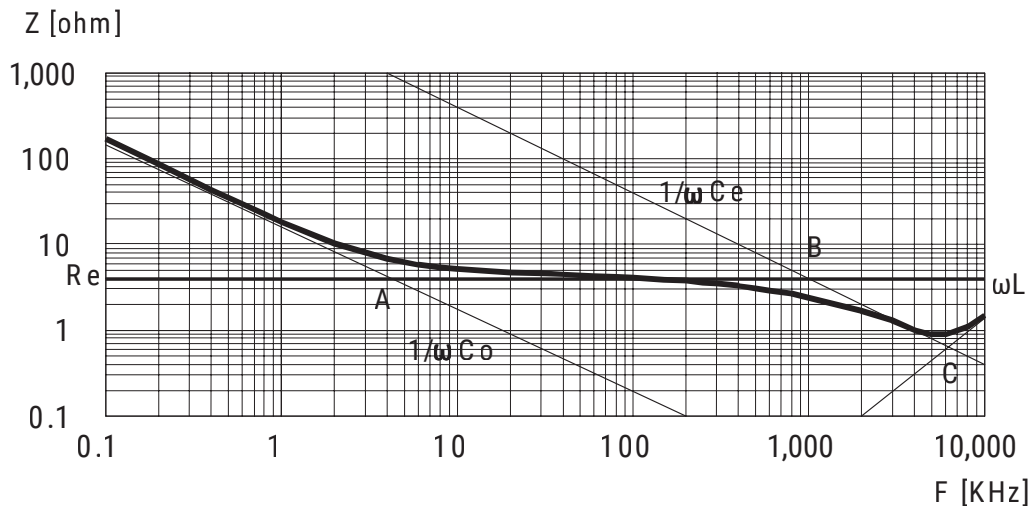
L = Inductive reactance of the capacitor winding and terminals.

Impedance of an electrolytic capacitor is not a constant quantity that retains its value under all conditions; it changes depending on frequency and temperature.

Impedance as a function of frequency (sinusoidal waveform) for a certain temperature can be represented as follows:

Application & Operation Guidelines cont.

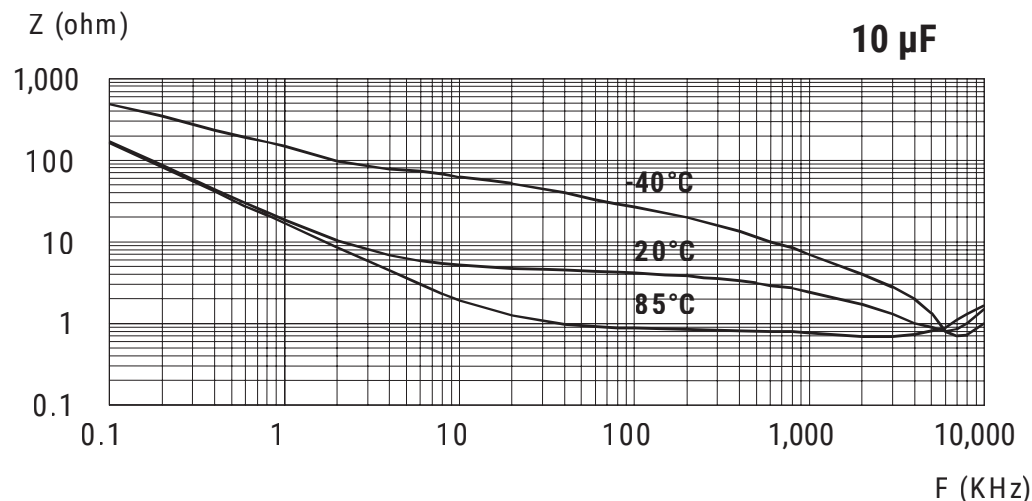
Impedance (Z) cont.



- Capacitive reactance predominates at low frequencies.
- With increasing frequency, capacitive reactance $X_c = 1/\omega C_o$ decreases until it reaches the order of magnitude of electrolyte resistance R_e (A)
- At even higher frequencies, resistance of the electrolyte predominates: $Z = R_e$ (A - B)
- When the capacitor's resonance frequency is reached (ω_o), capacitive and inductive reactance mutually cancel each other $1/\omega C_e = \omega L$, $\omega_o = 1/\text{SQR}(LC_e)$
- Above this frequency, inductive reactance of the winding and its terminals ($X_L = Z = \omega L$) becomes effective and leads to an increase in impedance

Generally speaking, it can be estimated that $C_e \approx 0.01 C_o$.

Impedance as a function of frequency (sinusoidal waveform) for different temperature values can be represented as follows (typical values):



R_e is the most temperature-dependent component of an electrolytic capacitor equivalent circuit. Electrolyte resistivity will decrease if temperature rises.

In order to obtain a low impedance value throughout the temperature range, R_e must be as little as possible. However, R_e values that are too low indicate a very aggressive electrolyte, resulting in a shorter life of the electrolytic capacitor at high temperatures. A compromise must be reached.

Application & Operation Guidelines cont.

Leakage Current (LC)

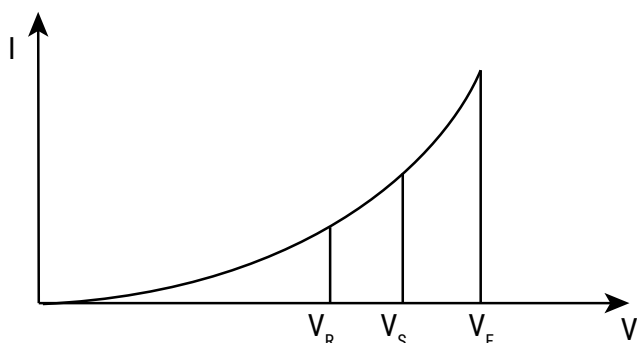
Due to the aluminum oxide layer that serves as a dielectric, a small current will continue to flow even after a DC voltage has been applied for long periods. This current is called leakage current.

A high leakage current flows after applying voltage to the capacitor then decreases in a few minutes, for example, after prolonged storage without any applied voltage. In the course of continuous operation, the leakage current will decrease and reach an almost constant value.

After a voltage-free storage the oxide layer may deteriorate, especially at a high temperature. Since there are no leakage currents to transport oxygen ions to the anode, the oxide layer is not regenerated. The result is that a higher than normal leakage current will flow when voltage is applied after prolonged storage.

As the oxide layer is regenerated in use, the leakage current will gradually decrease to its normal level.

The relationship between the leakage current and voltage applied at constant temperature can be shown schematically as follows:



Where:

V_F = Forming voltage

If this level is exceeded, a large quantity of heat and gas will be generated and the capacitor could be damaged.

V_R = Rated voltage

This level represents the top of the linear part of the curve.

V_S = Surge voltage

This lies between V_R and V_F . The capacitor can be subjected to V_S for short periods only.

Electrolytic capacitors are subjected to a reforming process before acceptance testing. The purpose of this preconditioning is to ensure that the same initial conditions are maintained when comparing different products.

Ripple Current (RC)

The maximum ripple current value depends on:

- Ambient temperature
- Surface area of the capacitor (heat dissipation area)
- tan δ or ESR
- Frequency

The capacitor's life depends on the thermal stress.

Application & Operation Guidelines cont.

Frequency Dependence of the Ripple Current

ESR and, thus, the $\tan \delta$ depend on the frequency of the applied voltage. This indicates that the allowed ripple current is also a function of the frequency.

Temperature Dependence of the Ripple Current

The data sheet specifies maximum ripple current at the upper category temperature for each capacitor.

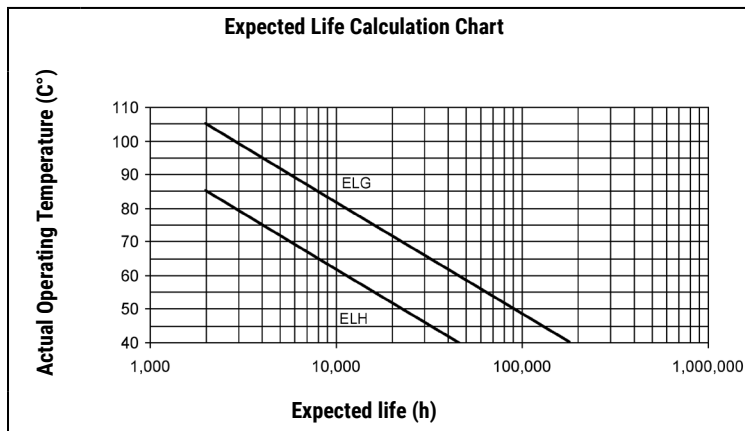
Expected Life Calculation

Expected life depends on operating temperature according to the following formula: $L = L_0 \times 2^{(T_0 - T)/10}$

Where:

- L: Expected life
- L_0 : Load life at a maximum permissible operating temperature
- T: Actual operating temperature
- T_0 : Maximum permissible operating temperature

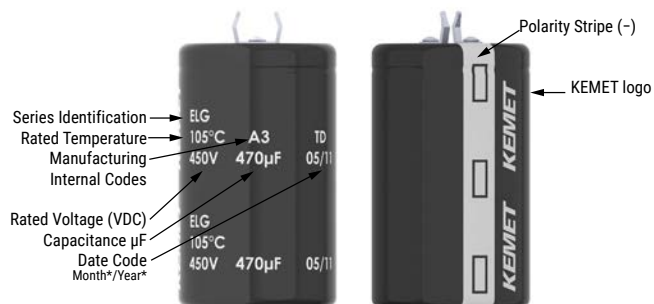
This formula is applicable between 40°C and T_0 .



Packaging Quantities

Size Code	Diameter (mm)	Length (mm)	Bulk Standard Leads
Q7	22	20	400
Q1	22	25	400
Q2	22	30	400
Q3	22	35	400
Q4	22	40	400
Q5	22	45	400
Q6	22	50	400
R7	25	20	200
R1	25	25	200
R2	25	30	200
R3	25	35	200
R4	25	40	200
R5	25	45	200
R6	25	50	200
S1	30	25	200
S2	30	30	200
S3	30	35	200
S4	30	40	200
S5	30	45	200
S6	30	50	200
S8	30	60	200
T1	35	25	200
T2	35	30	200
T3	35	35	200
T4	35	40	200
T5	35	45	200
T6	35	50	200
T8	35	60	200

Marking



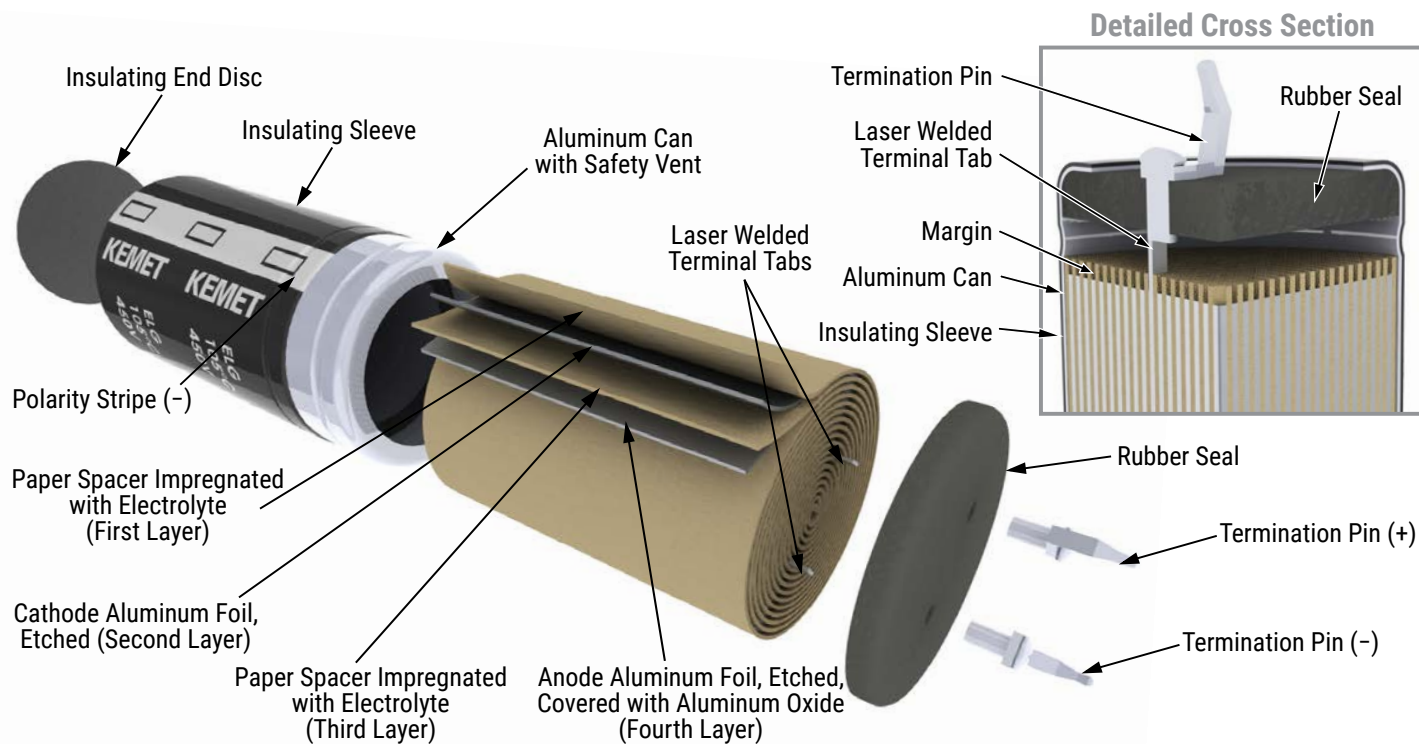
*Y = Year

Code	19	20	21	22	23	24	25	26	27
Year	2019	2020	2021	2022	2023	2024	2025	2026	2027

*M = Month

Code	01	02	03	04	05	06	07	08	09	10	11	12
Month	1	2	3	4	5	6	7	8	9	10	11	12

Construction



Construction Data

The manufacturing process begins with the anode foil being electrochemically etched to increase the surface area and then “formed” to produce the aluminum oxide layer. Both the anode and cathode foils are then interleaved with absorbent paper and wound into a cylinder. During the winding process, aluminum tabs are attached to each foil to provide the electrical contact.

The deck, complete with terminals, is attached to the tabs and then folded down to rest on top of the winding. The complete winding is impregnated with electrolyte before being housed in a suitable container, usually an aluminum can, and sealed. Throughout the process, all materials inside the housing must be maintained at the highest purity and be compatible with the electrolyte.

Each capacitor is aged and tested before being sleeved and packed. The purpose of aging is to repair any damage in the oxide layer and thus reduce the leakage current to a very low level. Aging is normally carried out at the rated temperature of the capacitor and is accomplished by applying voltage to the device while carefully controlling the supply current. The process may take several hours to complete.

Damage to the oxide layer can occur due to variety of reasons:

- Slitting of the anode foil after forming
- Attaching the tabs to the anode foil
- Minor mechanical damage caused during winding

A sample from each batch is taken by the quality department after completion of the production process. This sample size is controlled by the use of recognized sampling tables defined in BS 6001.

The following tests are applied and may be varied at the request of the customer. In this case the batch, or special procedure, will determine the course of action.

Electrical:

- Leakage current
- Capacitance
- ESR
- Impedance
- Tan Delta

Mechanical/Visual:

- Overall dimensions
- Torque test of mounting stud
- Print detail
- Box labels
- Packaging, including packed quantity



KEMET Electronics Corporation Sales Offices

For a complete list of our global sales offices, please visit www.kemet.com/sales.

Disclaimer

All product specifications, statements, information and data (collectively, the "Information") in this datasheet are subject to change. The customer is responsible for checking and verifying the extent to which the Information contained in this publication is applicable to an order at the time the order is placed. All Information given herein is believed to be accurate and reliable, but it is presented without guarantee, warranty, or responsibility of any kind, expressed or implied.

Statements of suitability for certain applications are based on KEMET Electronics Corporation's ("KEMET") knowledge of typical operating conditions for such applications, but are not intended to constitute – and KEMET specifically disclaims – any warranty concerning suitability for a specific customer application or use. The Information is intended for use only by customers who have the requisite experience and capability to determine the correct products for their application. Any technical advice inferred from this Information or otherwise provided by KEMET with reference to the use of KEMET's products is given gratis, and KEMET assumes no obligation or liability for the advice given or results obtained.

Although KEMET designs and manufactures its products to the most stringent quality and safety standards, given the current state of the art, isolated component failures may still occur. Accordingly, customer applications which require a high degree of reliability or safety should employ suitable designs or other safeguards (such as installation of protective circuitry or redundancies) in order to ensure that the failure of an electrical component does not result in a risk of personal injury or property damage.

Although all product-related warnings, cautions and notes must be observed, the customer should not assume that all safety measures are indicated or that other measures may not be required.

KEMET is a registered trademark of KEMET Electronics Corporation.

Mouser Electronics

Authorized Distributor

Click to View Pricing, Inventory, Delivery & Lifecycle Information:

KEMET:

[ELG229M025AT3AA](#) [ELG277M450AT3AA](#) [ELG477M250AR3AA](#) [ELG687M450AT8AA](#) [ELG477M450AT6AA](#)
[ELG158M250AT6AA](#) [ELG337M400AT3AA](#) [ELG477M400AT5AA](#) [ELG108M250AT4AA](#) [ELG108M200AS4AA](#)
[ELG687M200AQ6AA](#) [ELG107M450AR2AA](#) [ELG108M100AR2AA](#) [ELG107M400AQ3AA](#) [ELG686M400AQ1AA](#)
[ELG108M100VR2AA](#) [ELG108M200AT3AA](#) [ELG688M063AS5AA](#) [ELG688M063AT4AA](#) [ELG158M100AR4AA](#)
[ELG478M100AT4AA](#) [ELG228M063AR2AA](#) [ELG228M063AR2AJ](#) [ELG157M400AR2AA](#) [ELG157M450AR4AA](#)
[ELG687M400AT8AA](#) [ELG477M400AT6AA](#) [ELG687M100AQ1AA](#) [ELG157M400AQ3AA](#) [ELG397M200AR1AA](#)
[ELG477M400AT4AA](#) [ELG278M050AQ2AV](#) [ELG476M450AQ1AA](#) [ELG688M050AR6AV](#) [ELG827M250AT3AV](#)
[ELG109M025AR3AA](#) [ELG227M450AR6AA](#) [ELG108M200AT2AA](#) [ELG228M160AT5AA](#) [ELG478M063AR6AA](#)
[ELG188M080AQ4AA](#) [ELG337M450AT4AA](#) [ELG187M400AS2AA](#) [ELG109M035AR5AA](#) [ELG397M450AT5AA](#)
[ELG478M050AS2AA](#) [ELG337M450AS6AA](#) [ELG227M400AS3AA](#) [ELG107M450AS1AV](#) [ELG108M200AT2AV](#)
[ELG108M250AT4AV](#) [ELG108M400AT6AV](#) [ELG109M050AS6AV](#) [ELG109M050AT4AV](#) [ELG688M080AT6AV](#)
[ELG477M400AS5AA](#) [ELG477M400AS6AV](#) [ELG477M450AT6AV](#) [ELG478M035AR1AV](#) [ELG478M050AS2AV](#)
[ELG687M450AT8AV](#) [ELG338M035AQ1AV](#) [ELG397M400AS4AV](#) [ELG397M450AT5AV](#) [ELG477M160AR1AV](#)
[ELG477M200AQ3AV](#) [ELG477M200AR2AV](#) [ELG187M450AT2AV](#) [ELG227M200AR7AV](#) [ELG227M400AR5AV](#)
[ELG277M450AT3AV](#) [ELG337M200AQ2AV](#) [ELG337M400AR6AA](#) [ELG157M400AR2AV](#) [ELG157M400AS2AV](#)
[ELG157M450AQ4AA](#) [ELG157M450AS2AV](#) [ELG157M450AT1AV](#) [ELG187M400AS2AV](#) [ELG109M025AQ4AA](#)