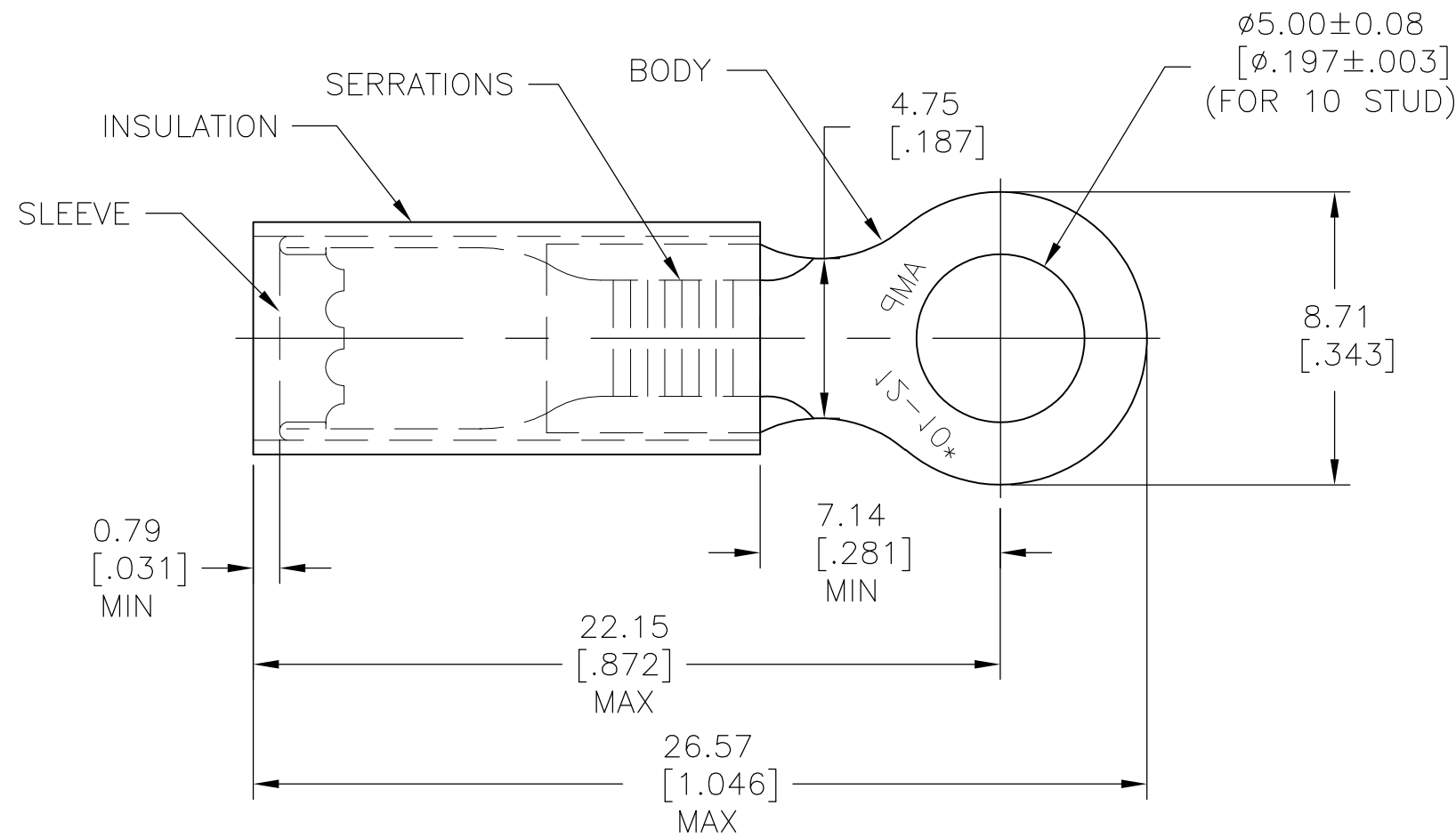


THIS DRAWING IS UNPUBLISHED. RELEASED FOR PUBLICATION
 © COPYRIGHT BY TYCO ELECTRONICS CORPORATION. ALL INTERNATIONAL RIGHTS RESERVED.

LOC	DIST	REVISIONS					
G	14	P	LTR	DESCRIPTION	DATE	DWN	APVD
				D1 REDRAWN PER ECR-09-005960	02APR09	HMR	JR



1 FOR 3.81[.150] TO 5.84[.230] WIRE INSULATION DIA.
 TONGUE MATERIAL THK. = 1.02±0.5[.040±.002]

50	BODY: COPPER (ASTM-B152) TIN PL (ASTM-B545)	LOOSE PC, BOX	8-32883-2
1	SLEEVE: COPPER (ASTM-B152)	32883 ON TAPE	1-32883-0
1	INSULATION: NYLON COLOR: YELLOW	WIRE TERMINAL	32883
QTY	MATERIAL & FINISH	DESCRIPTION	PART NO

THIS DRAWING IS A CONTROLLED DOCUMENT.		DWN	RAGHAVENDRA	02APR09	Tyco Electronics Corporation Harrisburg, PA 17105-3608		
DIMENSIONS: mm [INCHES]		CHK	JEFF RUTH	02APR09			
TOLERANCES UNLESS OTHERWISE SPECIFIED:		APVD	Tom Michielutti	02APR09	NAME		
0 PLC ± - 1 PLC ± - 2 PLC ± - 3 PLC ± 0.20[.008] 4 PLC ± - ANGLES ± 5°		PRODUCT SPEC		WIRE TERMINAL			
MATERIAL SEE TABLE		FINISH SEE TABLE		APPLICATION SPEC		P.I.D.G RING TONGUE	
		WEIGHT -		SIZE		WIRE SIZE: 12-10	
		CUSTOMER DRAWING		A3 00779		DRAWING NO C-32883	
		SCALE 5:1		SHEET 1 OF 1		REV D1	

Mouser Electronics

Authorized Distributor

Click to View Pricing, Inventory, Delivery & Lifecycle Information:

[TE Connectivity:](#)

[32883](#)