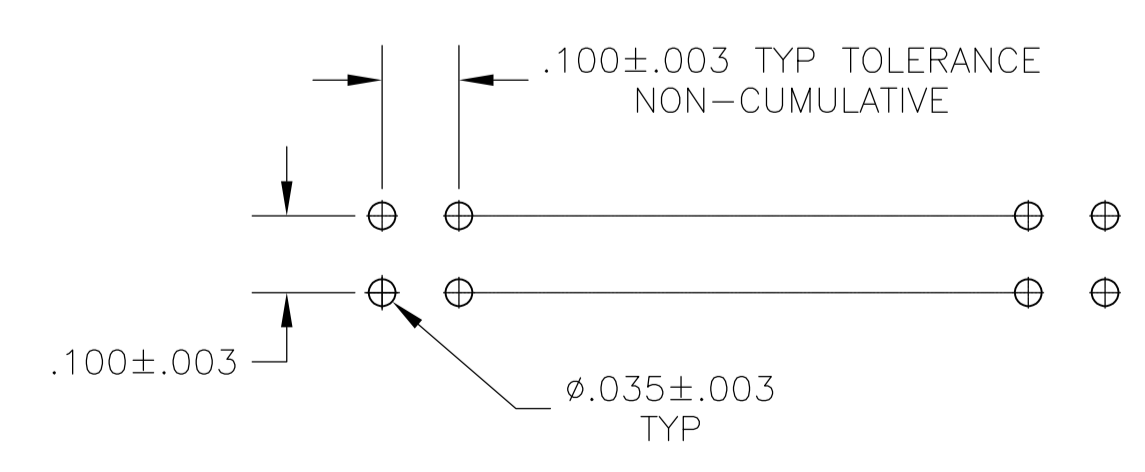
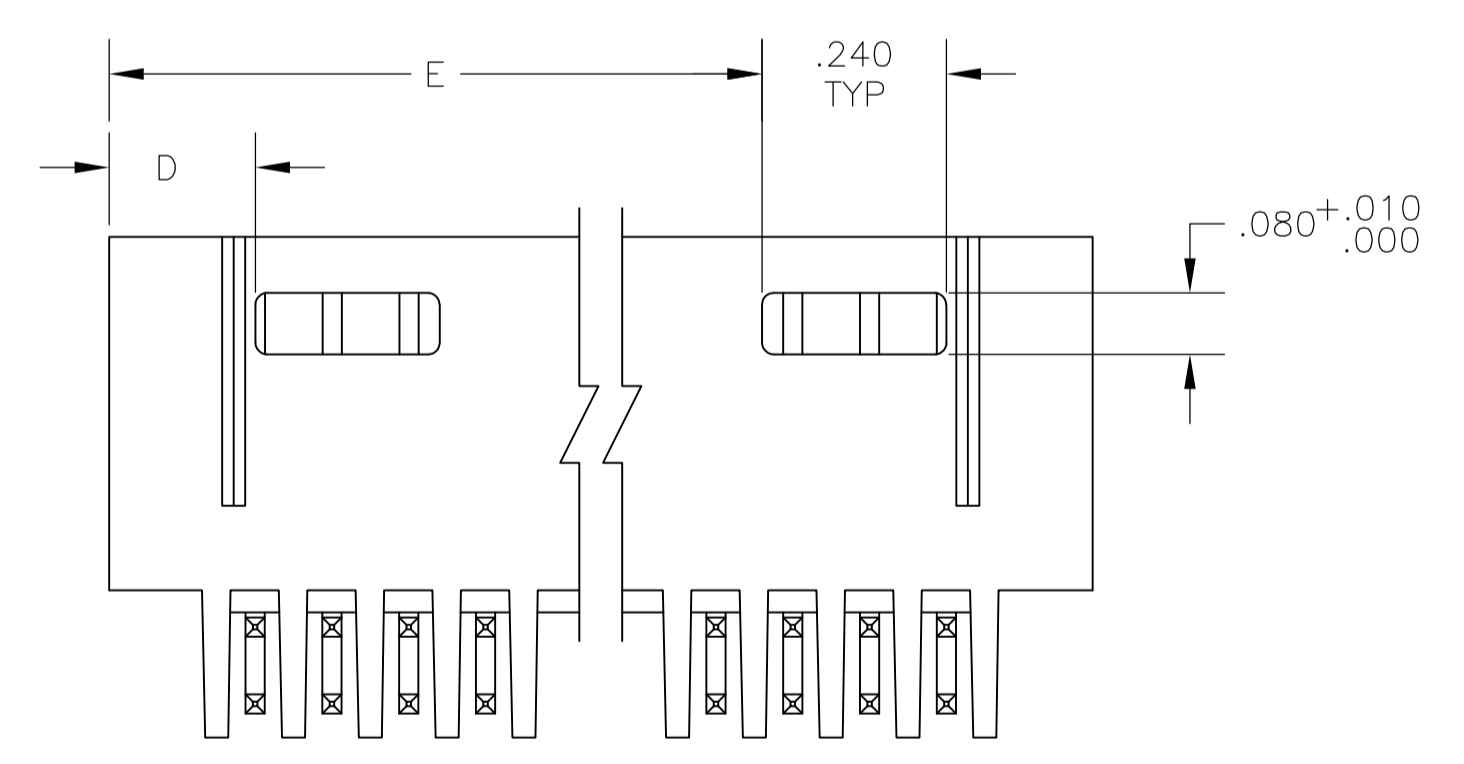
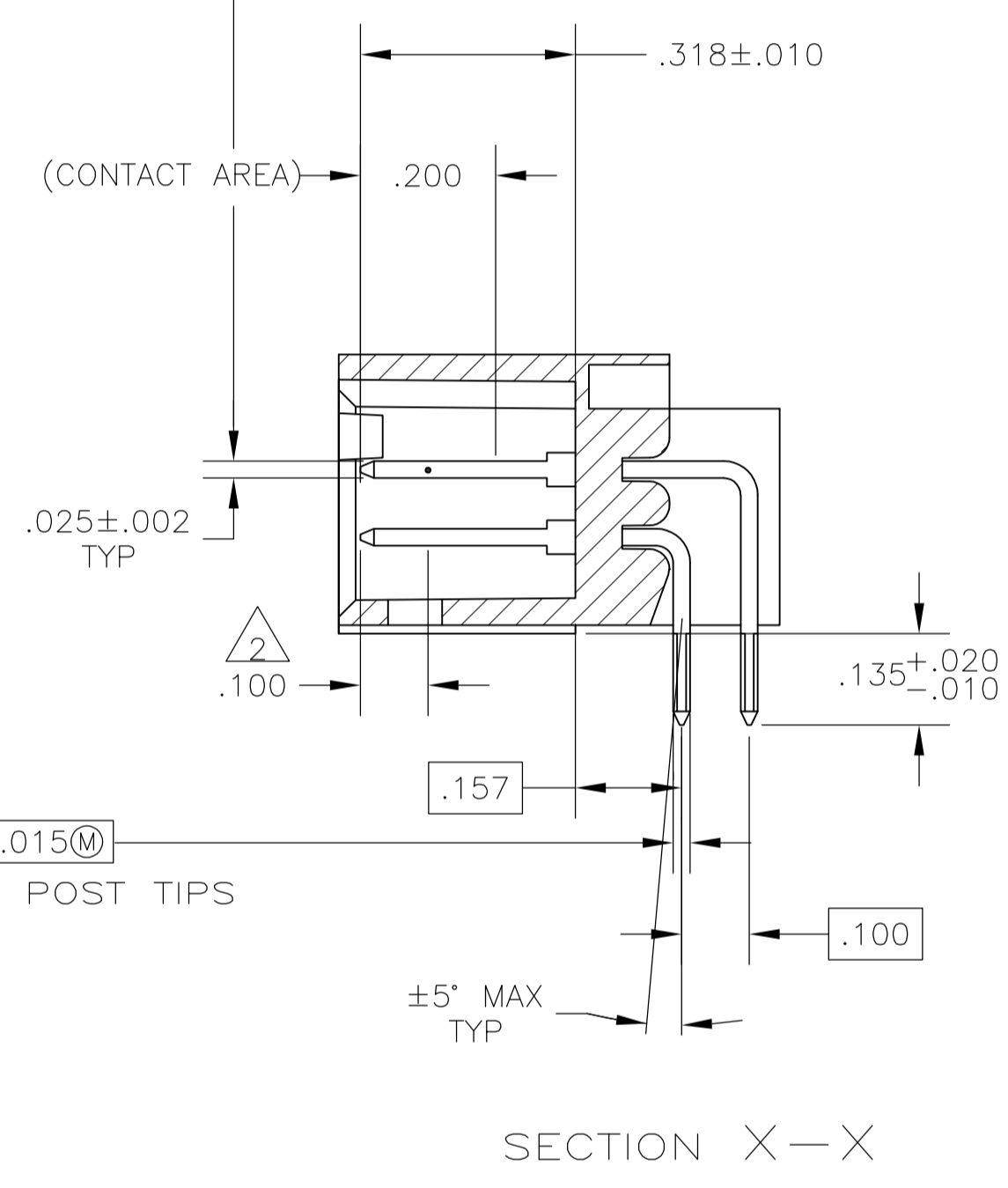
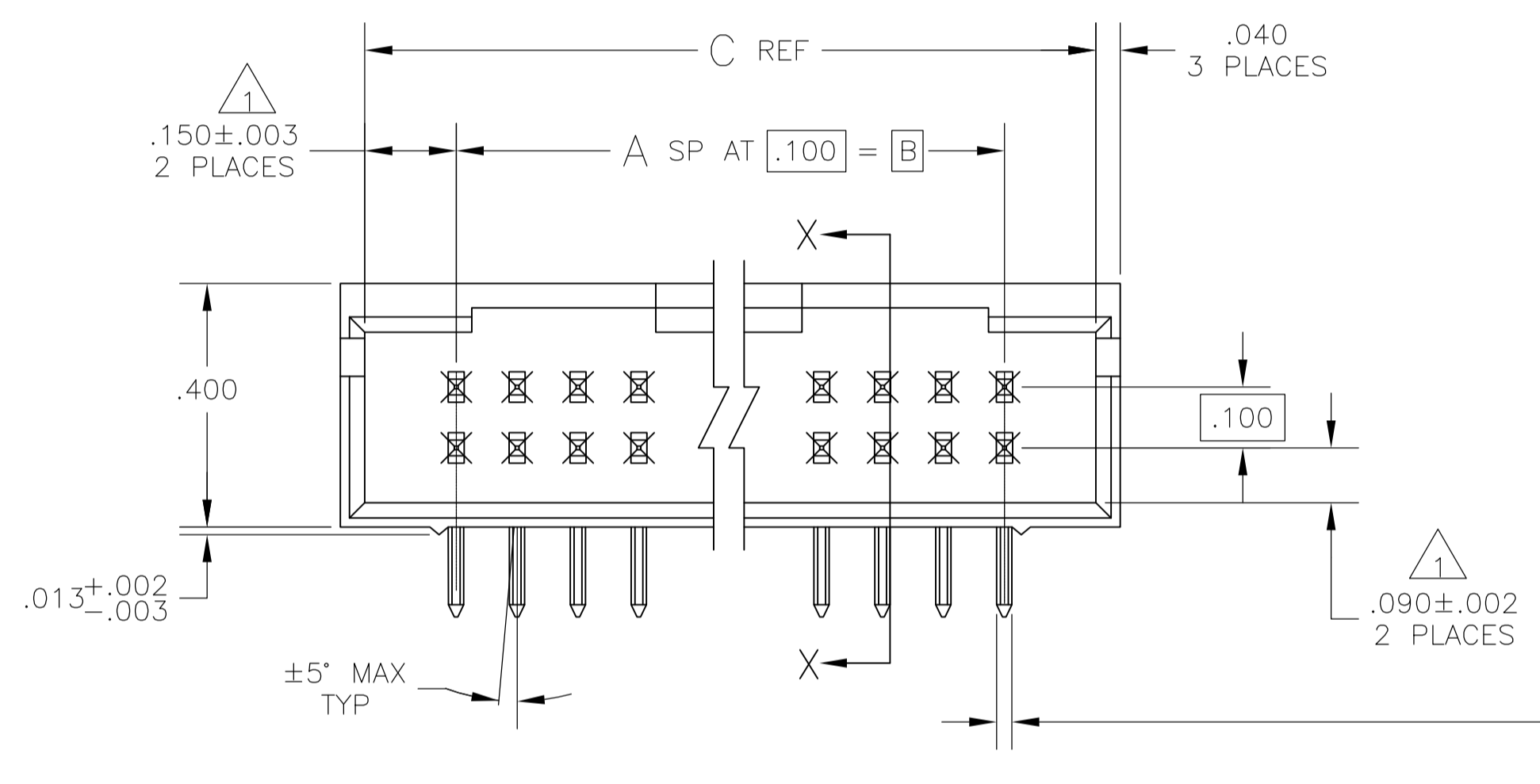
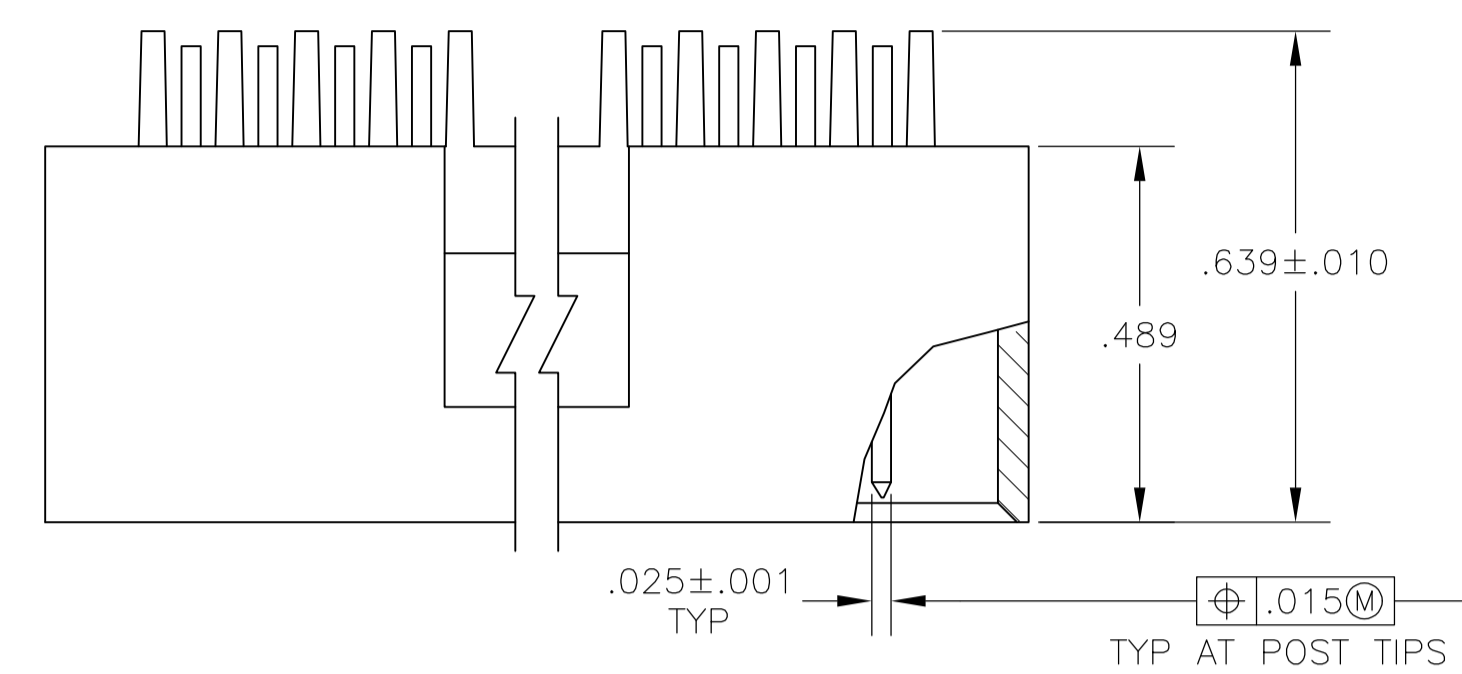


- 1 THE NOTED DIMENSION APPLIES AT THE INTERSECTION OF THE POST AND HOUSING
- 2 POINT OF MEASUREMENT FOR PLATING THICKNESS.
- 3 POSTS: .000030 GOLD IN CONTACT AREA .000100-.000200 MATTE TIN LEAD ON SOLDER TAIL, ALL OVER .000050 NICKEL
- 4 POSTS: .000030 GOLD IN CONTACT AREA .000100-.000200 MATTE TIN ON SOLDER TAIL, ALL OVER .000050 NICKEL
- 5 OBSOLETE PARTS: OBSOLETE CIS STREAMLINING PER D.RENAUD/D.SINISI



| REV | DATE | BY | CHK | APPV | DESCRIPTION | NO OF POSN | ASSEMBLY PART NUMBER |
|-----|------|----|-----|------|-------------|------------|----------------------|
| 5 | | | | | OBSOLETE | 35 | 8-103167-3 |
| 4 | | | | | OBSOLETE | 34 | 8-103167-2 |
| 3 | | | | | OBSOLETE | 33 | 8-103167-1 |
| 2 | | | | | OBSOLETE | 32 | 8-103167-0 |
| 1 | | | | | OBSOLETE | 31 | 7-103167-9 |
| 0 | | | | | OBSOLETE | 30 | 7-103167-8 |
| 0 | | | | | OBSOLETE | 29 | 7-103167-7 |
| 0 | | | | | OBSOLETE | 28 | 7-103167-6 |
| 0 | | | | | OBSOLETE | 27 | 7-103167-5 |
| 0 | | | | | OBSOLETE | 26 | 7-103167-4 |
| 0 | | | | | OBSOLETE | 25 | 7-103167-3 |
| 0 | | | | | OBSOLETE | 24 | 7-103167-2 |
| 0 | | | | | OBSOLETE | 23 | 7-103167-1 |
| 0 | | | | | OBSOLETE | 22 | 7-103167-0 |
| 0 | | | | | OBSOLETE | 21 | 6-103167-9 |
| 0 | | | | | OBSOLETE | 20 | 6-103167-8 |
| 0 | | | | | OBSOLETE | 19 | 6-103167-7 |
| 0 | | | | | OBSOLETE | 18 | 6-103167-6 |
| 0 | | | | | OBSOLETE | 17 | 6-103167-5 |
| 0 | | | | | OBSOLETE | 16 | 6-103167-4 |
| 0 | | | | | OBSOLETE | 15 | 6-103167-3 |
| 0 | | | | | OBSOLETE | 14 | 6-103167-2 |
| 0 | | | | | OBSOLETE | 13 | 6-103167-1 |
| 0 | | | | | OBSOLETE | 12 | 6-103167-0 |
| 0 | | | | | OBSOLETE | 11 | 5-103167-9 |
| 0 | | | | | OBSOLETE | 10 | 5-103167-8 |
| 0 | | | | | OBSOLETE | 9 | 5-103167-7 |
| 0 | | | | | OBSOLETE | 8 | 5-103167-6 |
| 0 | | | | | OBSOLETE | 7 | 5-103167-5 |
| 0 | | | | | OBSOLETE | 6 | 5-103167-4 |
| 0 | | | | | OBSOLETE | 5 | 5-103167-3 |
| 0 | | | | | OBSOLETE | 4 | 5-103167-2 |
| 0 | | | | | OBSOLETE | 3 | 5-103167-1 |
| 0 | | | | | OBSOLETE | 35 | 3-103167-3 |
| 0 | | | | | OBSOLETE | 34 | 3-103167-2 |
| 0 | | | | | OBSOLETE | 33 | 3-103167-1 |
| 0 | | | | | OBSOLETE | 32 | 3-103167-0 |
| 0 | | | | | OBSOLETE | 31 | 2-103167-9 |
| 0 | | | | | OBSOLETE | 30 | 2-103167-8 |
| 0 | | | | | OBSOLETE | 29 | 2-103167-7 |
| 0 | | | | | OBSOLETE | 28 | 2-103167-6 |
| 0 | | | | | OBSOLETE | 27 | 2-103167-5 |
| 0 | | | | | OBSOLETE | 26 | 2-103167-4 |
| 0 | | | | | OBSOLETE | 25 | 2-103167-3 |
| 0 | | | | | OBSOLETE | 24 | 2-103167-2 |
| 0 | | | | | OBSOLETE | 23 | 2-103167-1 |
| 0 | | | | | OBSOLETE | 22 | 2-103167-0 |
| 0 | | | | | OBSOLETE | 21 | 1-103167-9 |
| 0 | | | | | OBSOLETE | 20 | 1-103167-8 |
| 0 | | | | | OBSOLETE | 19 | 1-103167-7 |
| 0 | | | | | OBSOLETE | 18 | 1-103167-6 |
| 0 | | | | | OBSOLETE | 17 | 1-103167-5 |
| 0 | | | | | OBSOLETE | 16 | 1-103167-4 |
| 0 | | | | | OBSOLETE | 15 | 1-103167-3 |
| 0 | | | | | OBSOLETE | 14 | 1-103167-2 |
| 0 | | | | | OBSOLETE | 13 | 1-103167-1 |
| 0 | | | | | OBSOLETE | 12 | 1-103167-0 |
| 0 | | | | | OBSOLETE | 11 | 103167-9 |
| 0 | | | | | OBSOLETE | 10 | 103167-8 |
| 0 | | | | | OBSOLETE | 9 | 103167-7 |
| 0 | | | | | OBSOLETE | 8 | 103167-6 |
| 0 | | | | | OBSOLETE | 7 | 103167-5 |
| 0 | | | | | OBSOLETE | 6 | 103167-4 |
| 0 | | | | | OBSOLETE | 5 | 103167-3 |
| 0 | | | | | OBSOLETE | 4 | 103167-2 |
| 0 | | | | | OBSOLETE | 3 | 103167-1 |
| 0 | | | | | SUPERSEDED | | |

THIS DRAWING IS A CONTROLLED DOCUMENT.

| | | | | | | | |
|--------------------|--|-----------|-----------|-----------|--------------|-----------|------------|
| DIMENSIONS: INCHES | TOLERANCES UNLESS OTHERWISE SPECIFIED: | 0 PLC ± - | 1 PLC ± - | 2 PLC ± - | 3 PLC ± .005 | 4 PLC ± - | ANGLES ± - |
|--------------------|--|-----------|-----------|-----------|--------------|-----------|------------|

MATERIAL: HOUSING: PLATE RESISTANT COLOR: BRONZE POST: PHOS BRONZE FINISH: SEE TABLE

APPROVED: R FLICKER 29JUL87

NAME: HDR ASSY, MOD II, SHROUDED, 4 SIDES, DBL ROW, .100X.100 RIGHT ANGLE, W/ .025 SQ POSTS

SIZE: A1 00779 C=103167

SCALE: 4:1 SHEET 1 OF 1 REV N4

Mouser Electronics

Authorized Distributor

Click to View Pricing, Inventory, Delivery & Lifecycle Information:

[TE Connectivity:](#)

[5-103167-7](#)