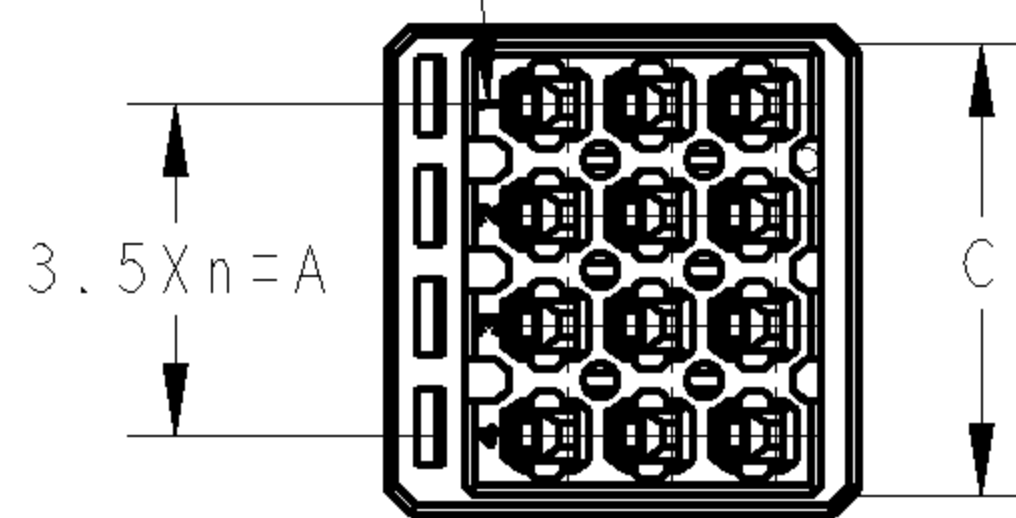


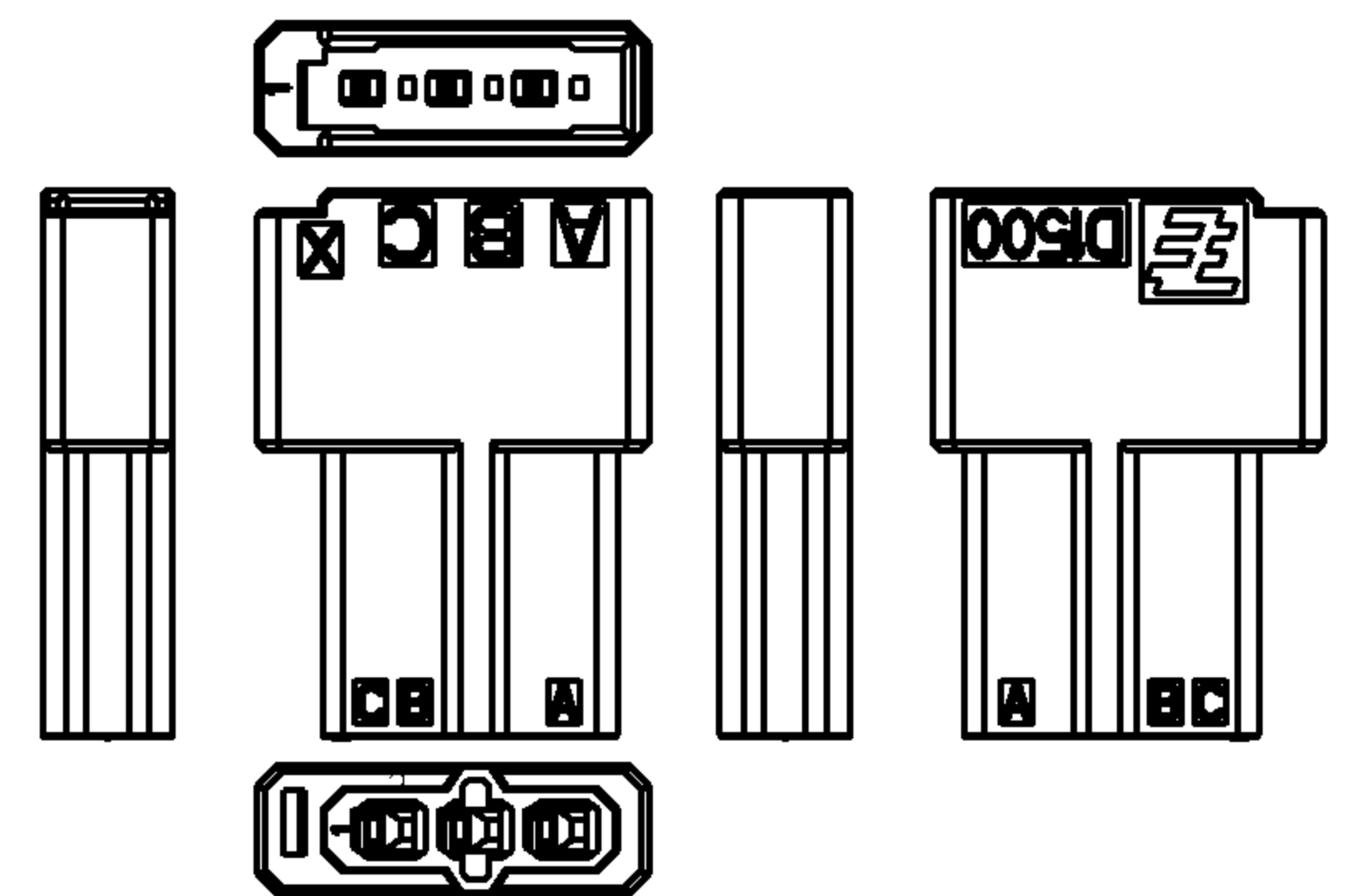
LOC	DIST	REVISIONS						
		P	LTR	DESCRIPTION	ECN	DATE	DWN	APVD
J	-	A		RELEASED		07NOV2008	M.M	A.O

CIRCUIT NO

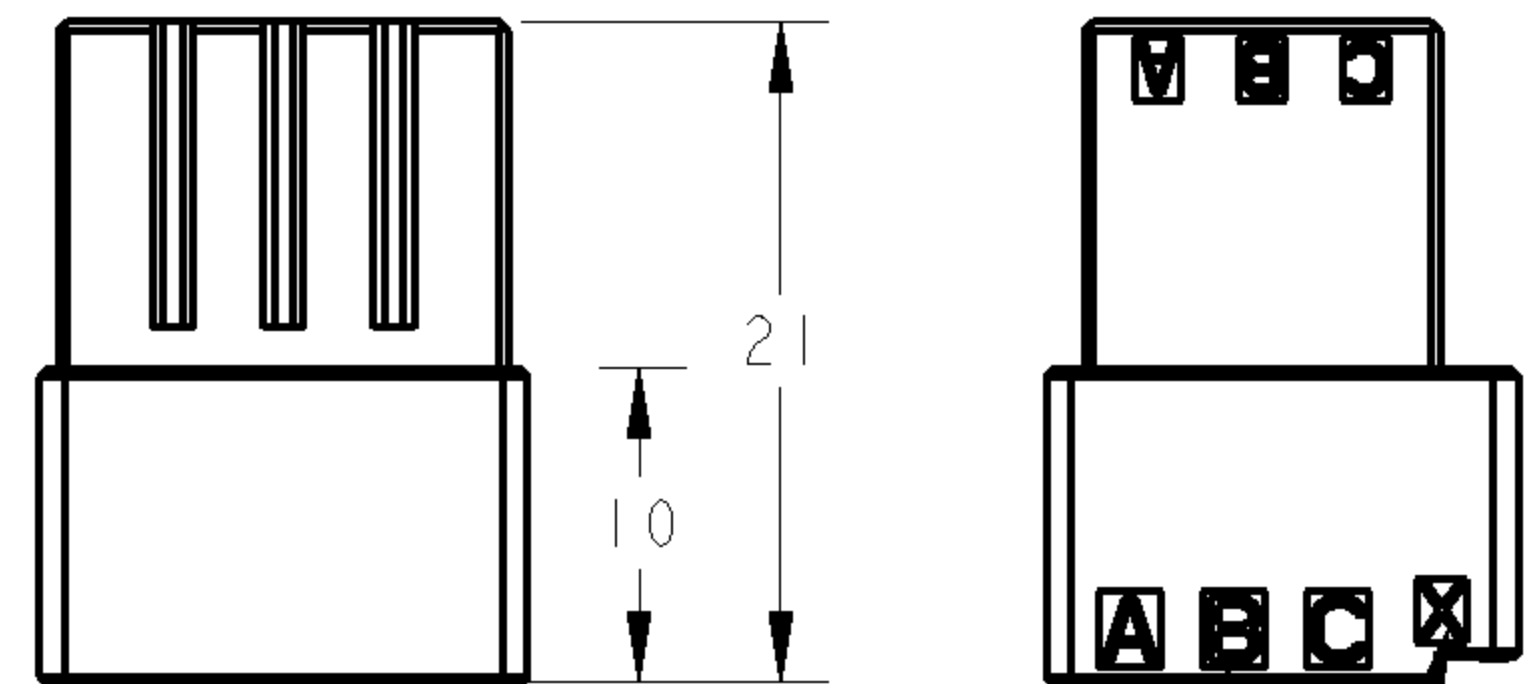
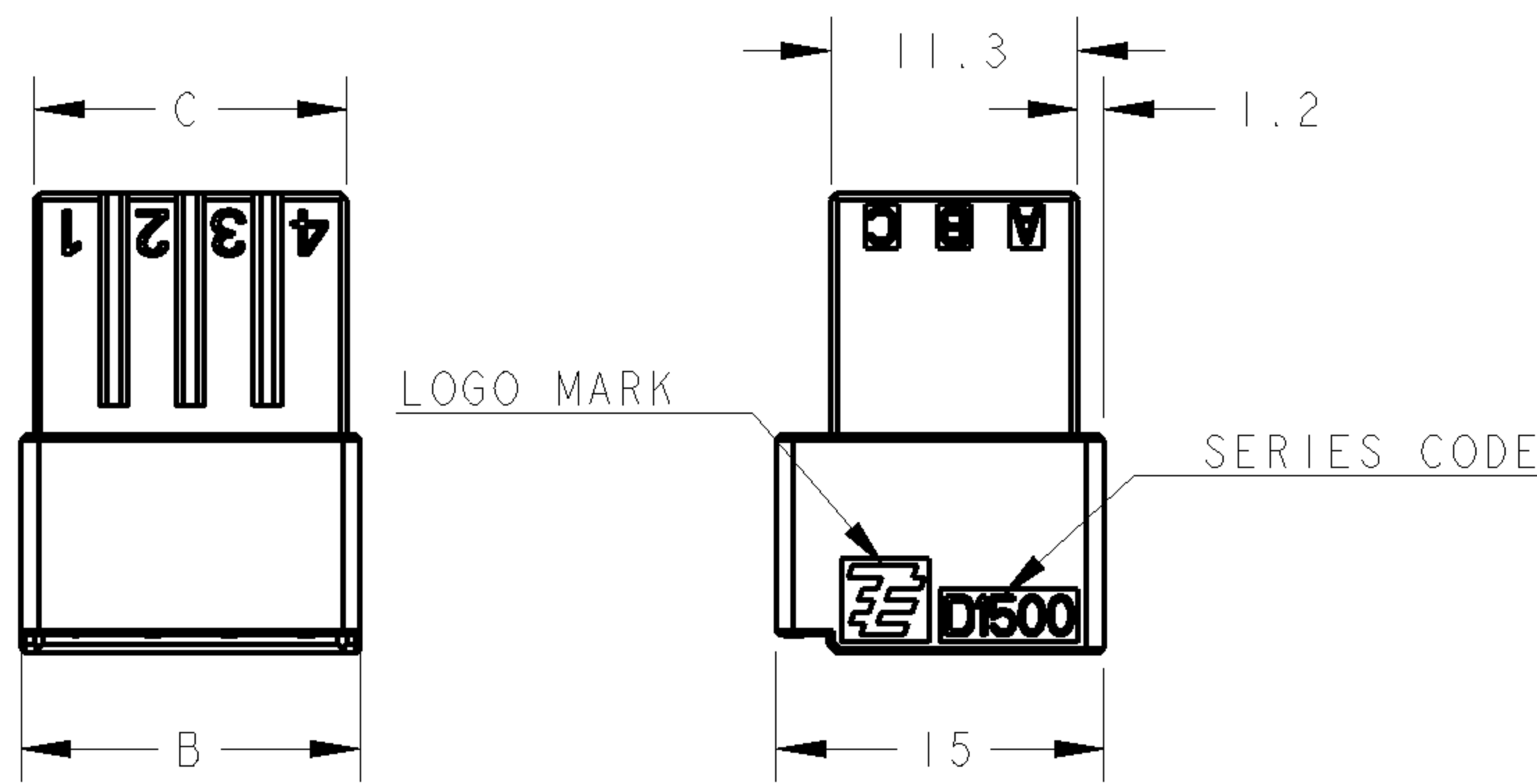


1. MATERIAL: GLASS FILED THERMO PLASTIC POLYESTER(94V-0), COLOR: BLACK
 2. THE SHAPE, SIZE AND POSITION OF THE CHARACTER SHOW THE OUTLINE. THEY DON'T SHOW DETAILS.

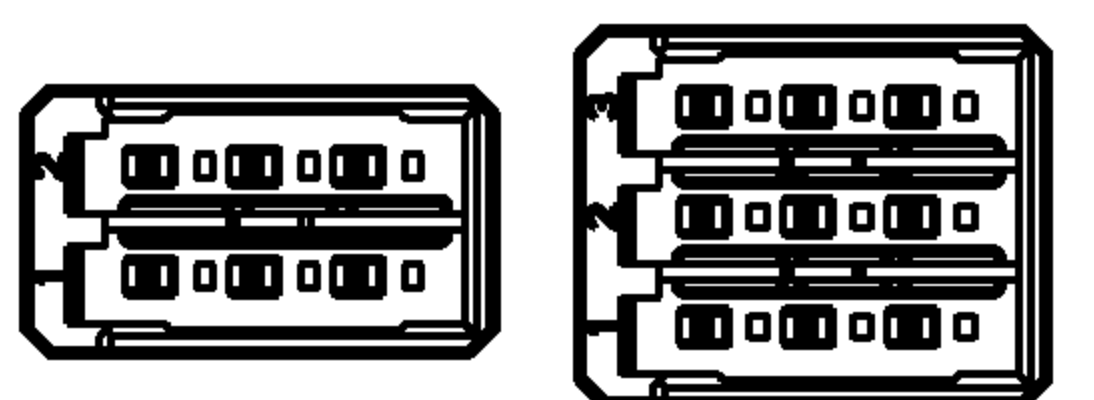
1. 材料: ガラス入り熱可塑性ポリエステル樹脂(94V-0), 色: 黒
 2. 文字の形状、大きさ、および位置については、大略を示すものであり、詳細を示すものではありません。



3POS(X-KEY): I-2040444-1

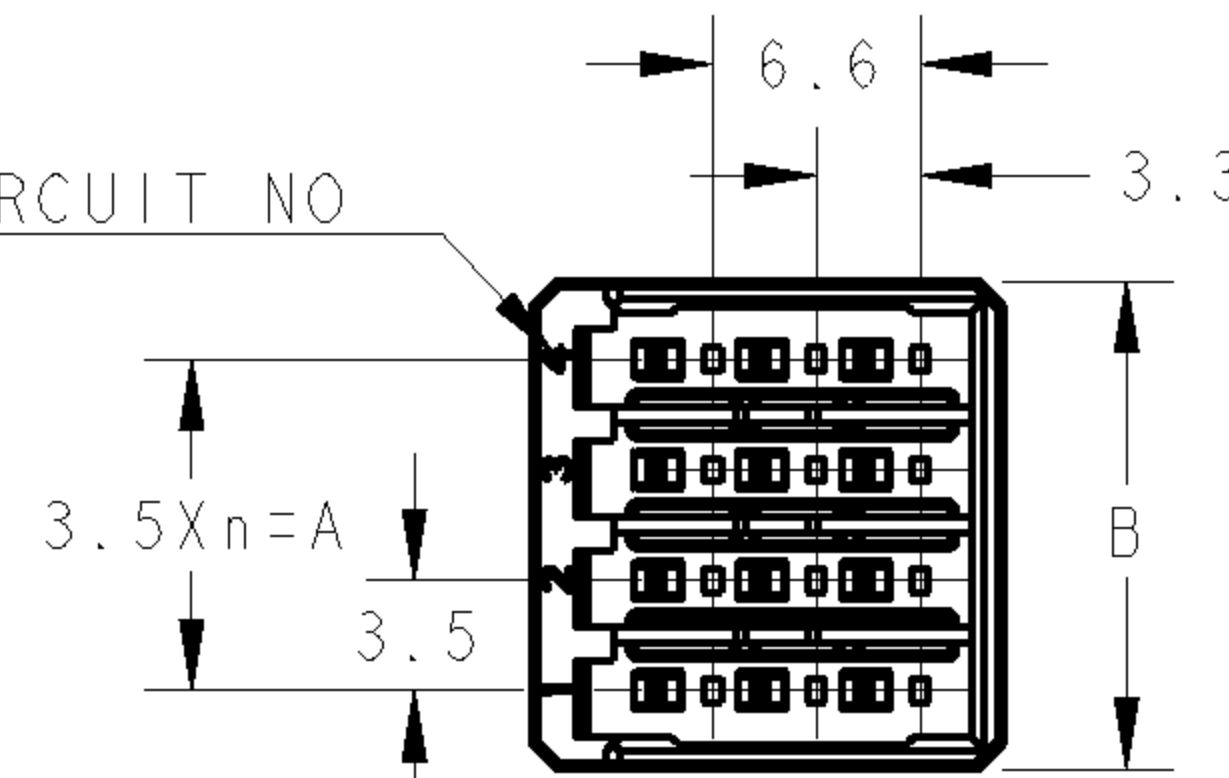


ROW ID
KEYING MARK



6POS(X-KEY): I-2040444-2
9POS(X-KEY): I-2040444-3

CIRCUIT NO



CAVITY MARK

AS SHOWN 12POS(X-KEY) : I-2040444-4

POS	KEY	n	A	B	C	D	PART NO
12	X	3	10.5	13.5	15.5	14.3	I-2040444-4
9	X	2	7.0	10.0	12.0	10.8	I-2040444-3
6	X	1	3.5	6.5	8.5	7.3	I-2040444-2
3	X	-	-	3.0	5.0	3.2	I-2040444-1

<small>THIS DRAWING IS A CONTROLLED DOCUMENT FOR TYCO ELECTRONICS CORPORATION IT IS SUBJECT TO CHANGE AND THE CONTROLLING ENGINEERING ORGANIZATION SHOULD BE CONTACTED FOR THE LATEST REVISION.</small>		DWN M. MAEBASHI 07NOV2008 CHK T. SAKAMOTO 07NOV2008 APVD A. OISHI 07NOV2008		Tyco Electronics Tyco Electronics AMP K.K. Kawasaki, Japan	
DIMENSIONS: 単位: 概 mm 		TOLERANCES UNLESS OTHERWISE SPECIFIED: 一般公差 ±0.3, ±5° 0-PLC ± 1-PLC ±0.1 2-PLC ±0.02 3-PLC ±0.005 4-PLC ±0.0005 ANGLES ±		NAME 名称 DYNAMIC DI500T 3.5mmPITCH TAB HSG (FREE HANGING TYPE) 6-12POS	
MATERIAL 材料 -		FINISH 仕上 -		PRODUCT SPEC 製品規格 108-78268, 78298 APPLICATION SPEC 取付通用規格 114-5377	
WEIGHT -		CUSTOMER DRAWING		SIZE A3 CAGE CODE 00779 DRAWING NO C=2040444 RESTRICTED TO -	
SCALE 尺度 2:1				SHEET 1 OF 1 REV A	

Mouser Electronics

Authorized Distributor

Click to View Pricing, Inventory, Delivery & Lifecycle Information:

[TE Connectivity:](#)

[1-2040444-1](#)