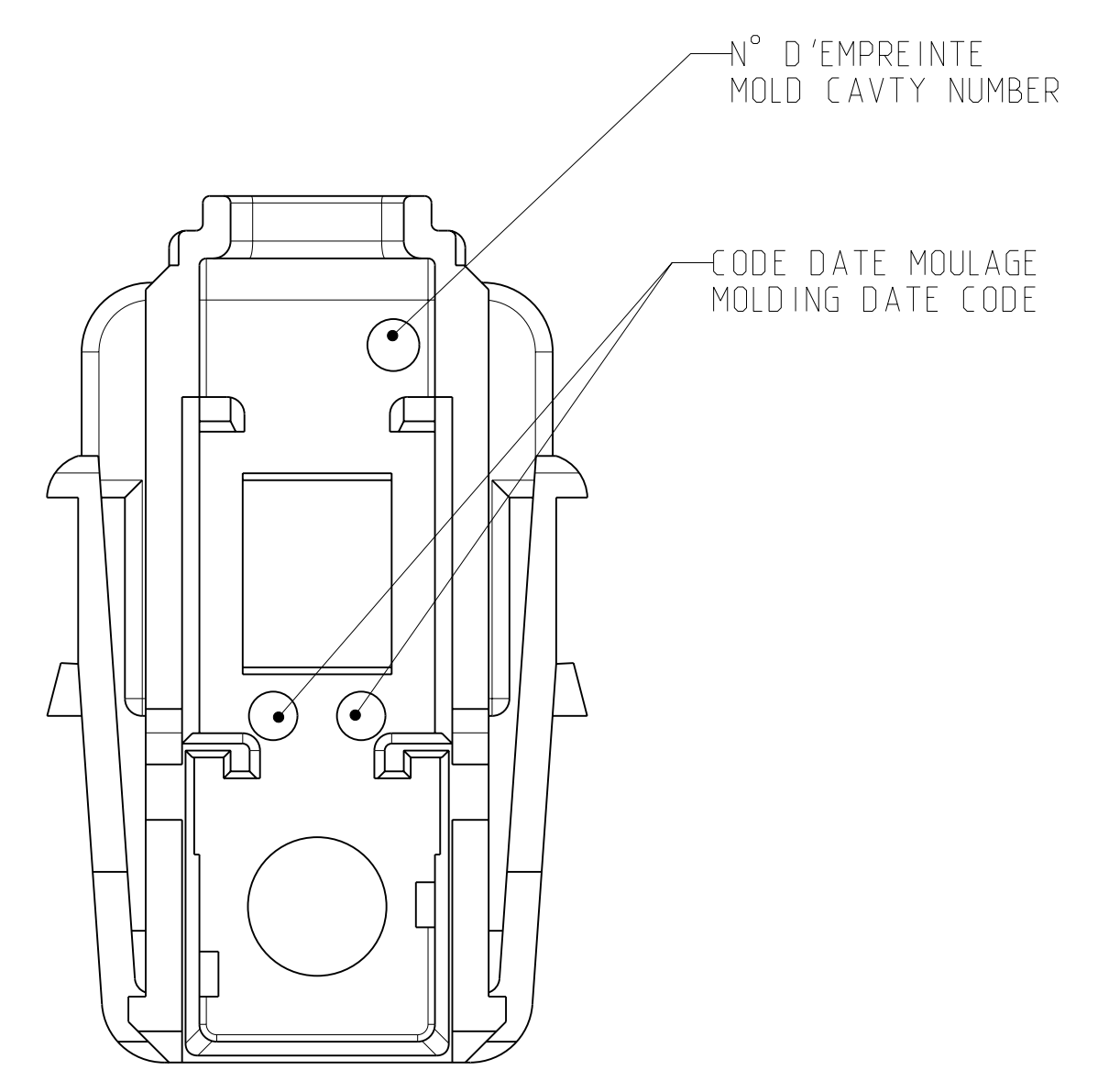
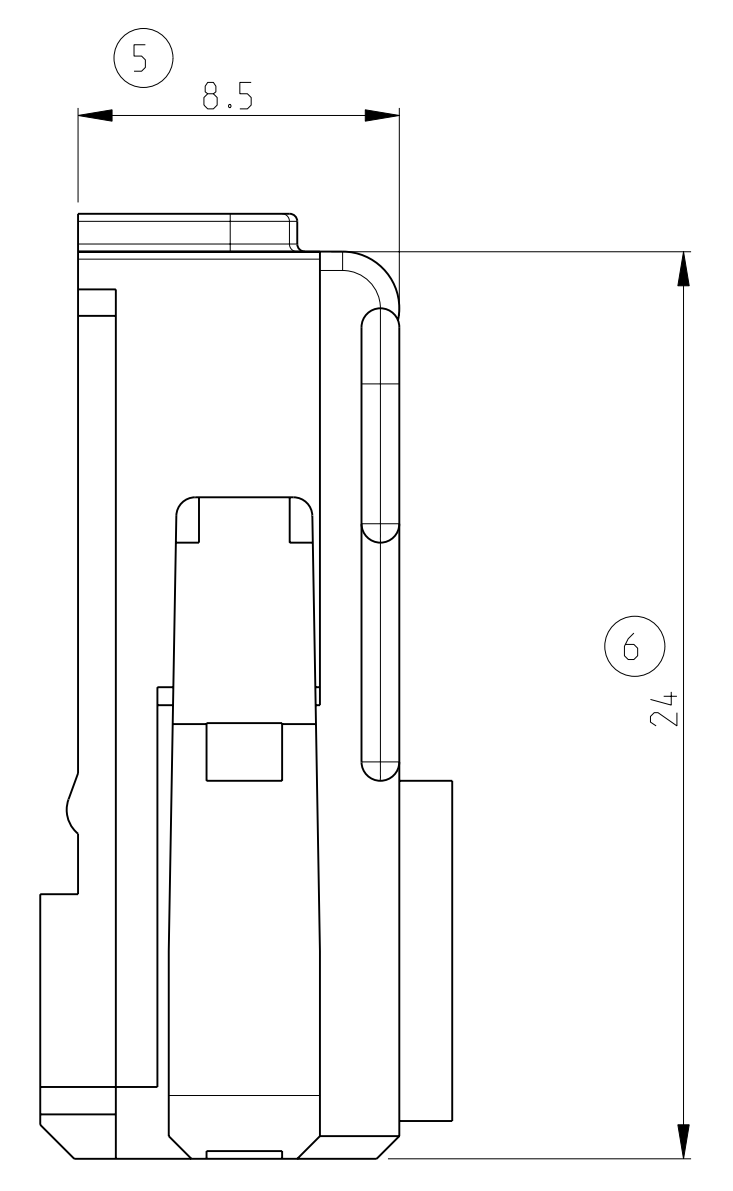
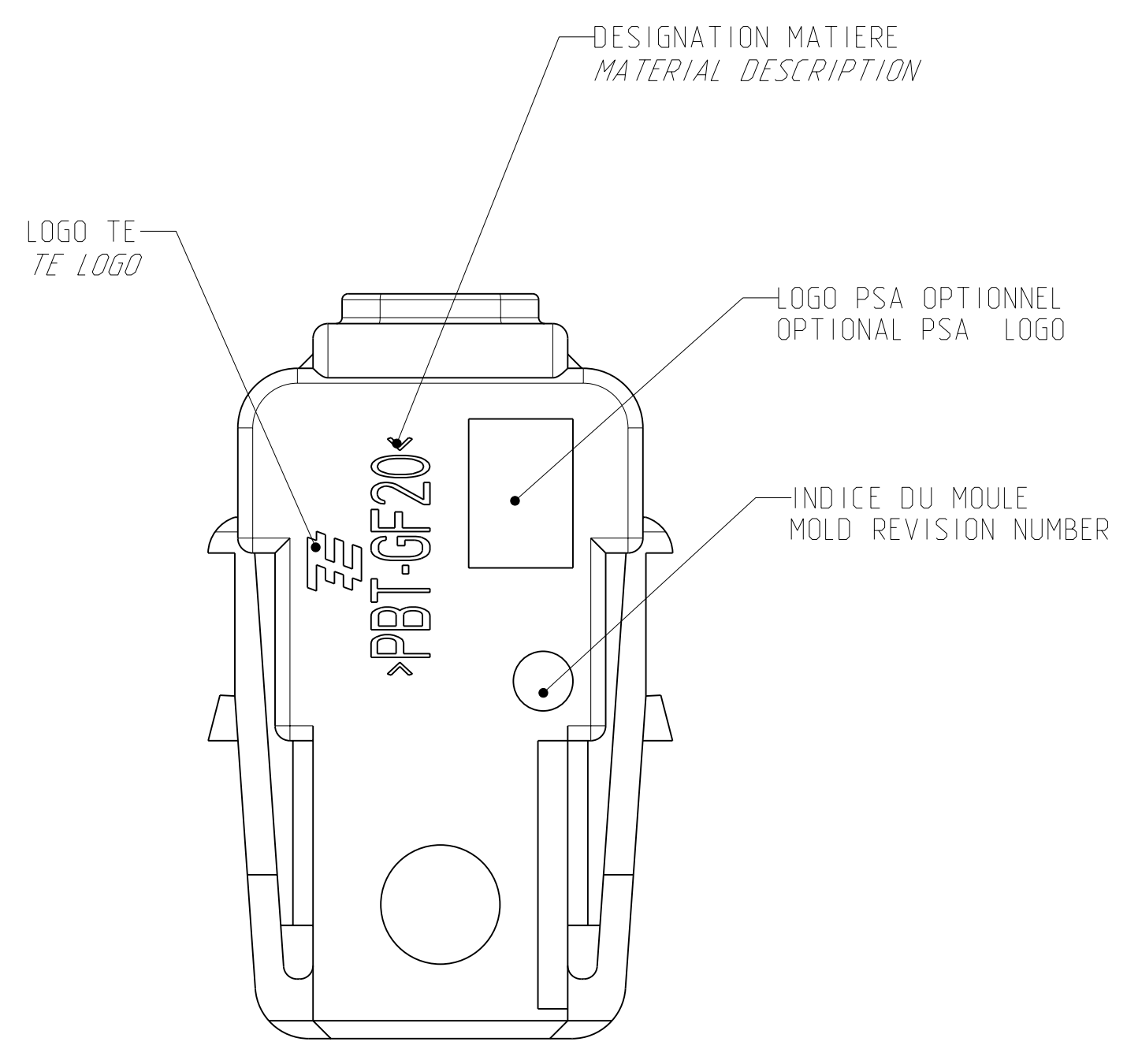
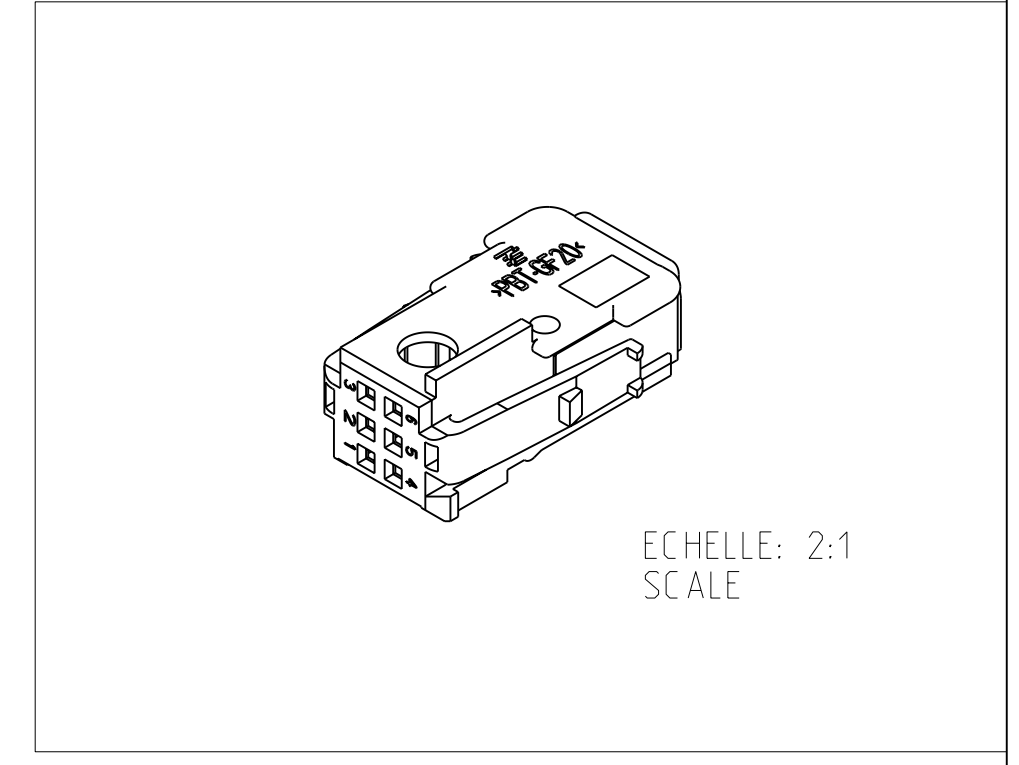
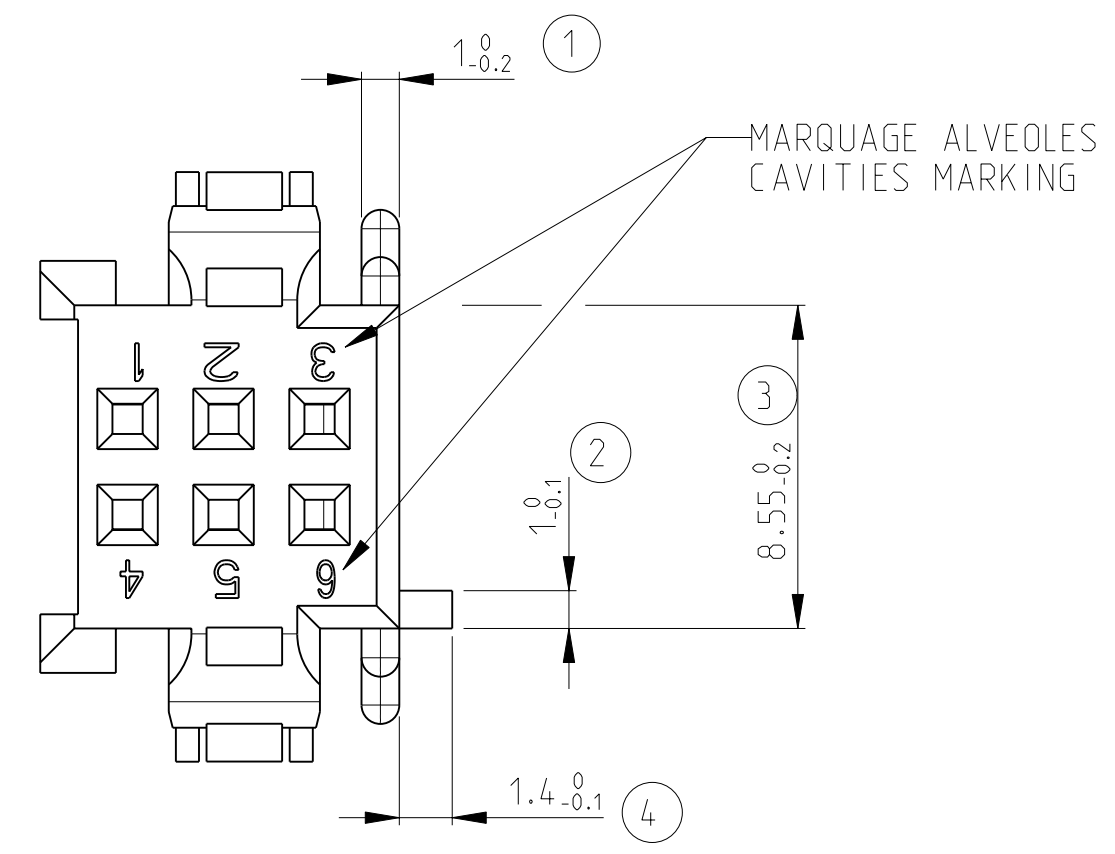


LOC	DIST	REVISIONS					
F	00	P	LTR	DESCRIPTION	DATE	DWN	APP
		A		FIRST ISSUE	12DEC2005	RP	JPP
		B		UPDATE DRAWING	10JUL2009	NS	XR



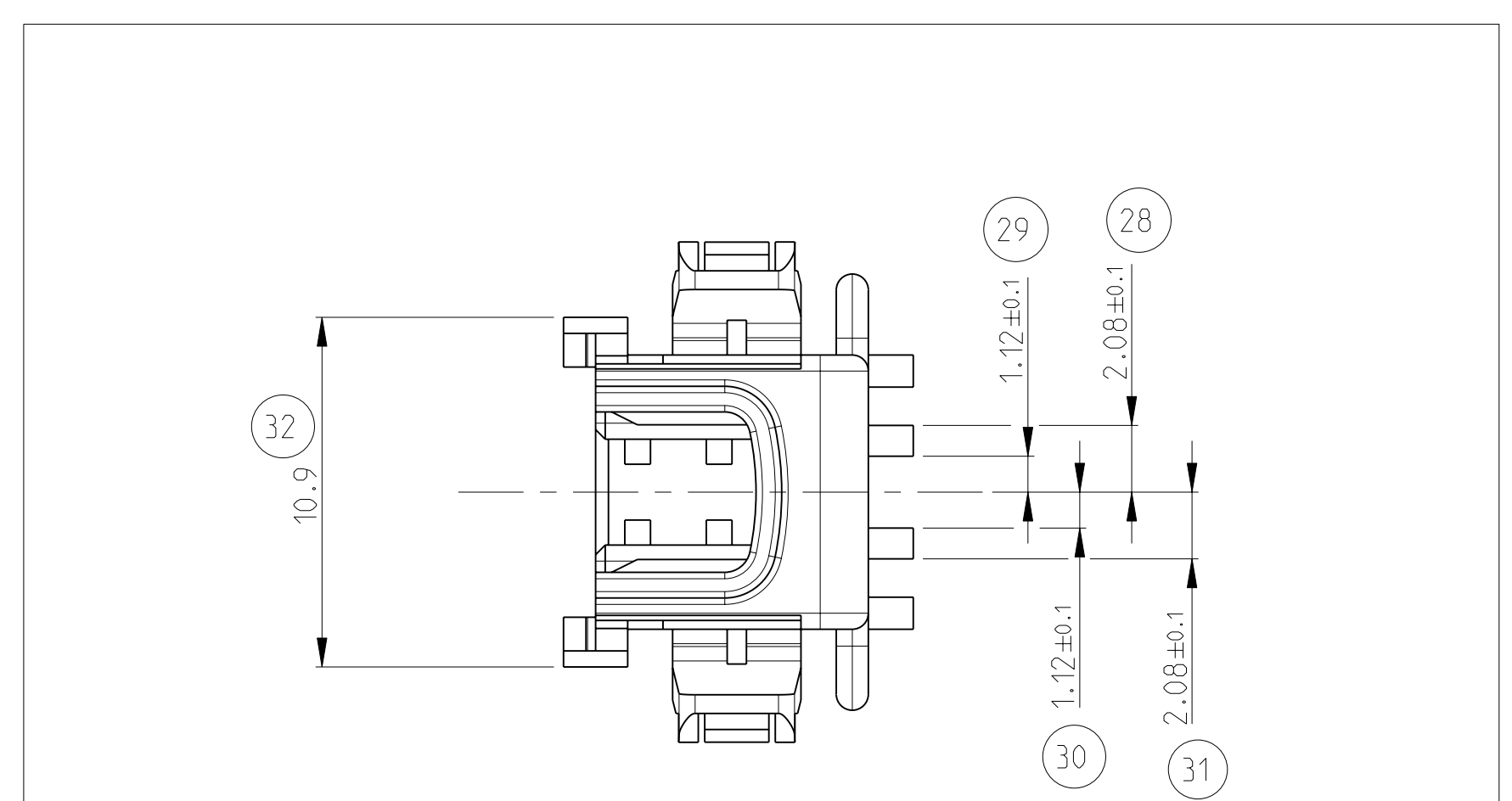
MATIERE MATERIAL	COULEUR COLOR	REF TE TE PN	DETROMPAGE KEYING
PBT 20% FV PBT GF20	MARRON BROWN	953382-4	
PBT 20% FV PBT GF20	VERT GREEN	953382-3	
PBT 20% FV PBT GF20	BLANC WHITE	953382-2	
PBT 20% FV PBT GF20	NOIR BLACK	953382-1	

COMPOSANTS ASSOCIES MATING PARTS	
REF. TE TE PART NUMBER	DESIGNATION
185311-1	MODULE 6 VOIES MQS SOCKET HOUSING 6 POS MQS
953381-1	VERROU POUR BOITIER MQS LOCKING DEVICE FOR MQS

NOTE

1 - CABLAGE MAXI : 6 FILS DE SECTION 0.6 mm² (DIA MAXI ISOLANT DE 1.9 mm) POUR ETRE EN CONFORMITE AVEC LA SPEC. 108-15192

- MAXIMAL CABLING : 6 WIRES SECTION 0.6mm² (DIA MAXIMAL INSULATOR 1.9mm) TO BE IN ACCORDANCE WITH THE SPEC. 108-15192



DEFINITION DES DETROMPAGES DEFINITION OF KEYINGS

953382-1 REPRESENTEE AS SHOWN

<small>THIS DRAWING IS UNPUBLISHED. DIVISION SYSTEME AMP BY TYCO ELECTRONICS CORPORATION. ALL RIGHTS RESERVED. THIS DOCUMENT IS UNCLASSIFIED. RELEASED FOR PUBLICATION UNDER A LICENSE BY THE NATIONAL ARCHIVES. 2007</small>		DWN/DESIGNE R.PATIN 12DEC2005 CDR/VERIFIE JP.PICAUD 12DEC2005		Tyco Electronics France SAS 95300 Pontoise, France	
DIMENSIONS: mm 		TOLERANCES UNLESS OTHERWISE SPECIFIED: DIMENSIONS: mm FINISH/FINITION: #6*		NAME: COVER FOR 6W HSG MQS GENE 2 TITLE: PORTE-MODULE 6VOIES MQS GENE 2	
MATERIAL/MATIERE: - FINISH/FINITION: -		WEIGHT/MASSE APPROX.: 1.2g CUSTOMER DRAWING /PLAN CLIENT: -		SIZE/FORMAT: A CAGE CODE: 00779 DRAWING NO: 953382 RESTRICTED TO RESERVE A: - REV B: -	
UNIDEMENT POUR REFERENCE: -		SCALE/ECHELLE: 5:1		SHEET/FEUILLE: 1 OF 1 REV B	

Mouser Electronics

Authorized Distributor

Click to View Pricing, Inventory, Delivery & Lifecycle Information:

[TE Connectivity:](#)

[953382-1](#)