

MAX7500–MAX7504

Digital Temperature Sensors and Thermal Watchdog with Bus Lockup Protection

General Description

The MAX7500–MAX7504 temperature sensors accurately measure temperature and provide an overtemperature alarm/interrupt/shutdown output. These devices convert the temperature measurements to digital form using a high-resolution, sigma-delta, analog-to-digital converter (ADC). Communication is through an I²C-compatible 2-wire serial interface. The MAX7500/MAX7501/MAX7502 integrate a timeout feature that offers protection against I²C bus lockups. The MAX7503/MAX7504 do not include the timeout feature.

The 2-wire serial interface accepts standard write byte, read byte, send byte, and receive byte commands to read the temperature data and configure the behavior of the open-drain overtemperature shutdown output.

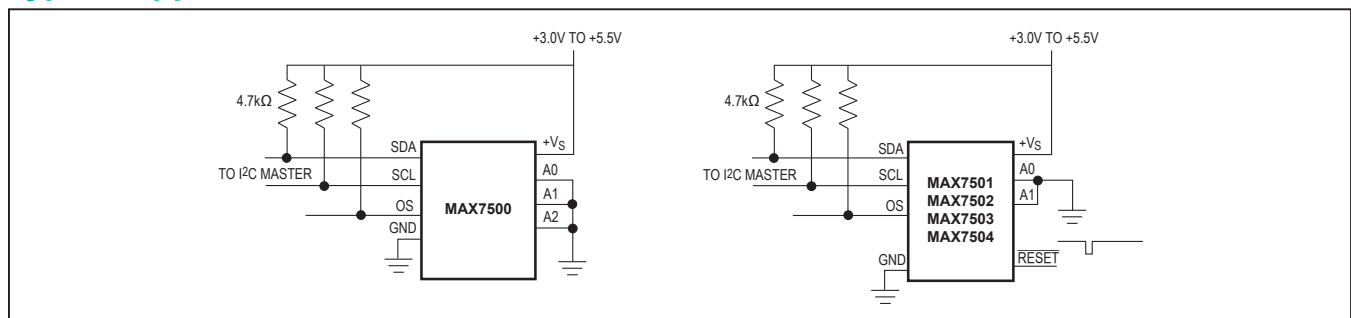
The MAX7500 features three address select lines, while the MAX7501–MAX7504 feature two address select lines and a $\overline{\text{RESET}}$ input. The MAX7500/MAX7501/MAX7502s' 3.0V to 5.5V supply voltage range, low 250 μ A supply current, and a lockup-protected I²C-compatible interface make them ideal for a wide range of applications, including personal computers (PCs), electronic test equipment, and office electronics.

The MAX7500–MAX7504 are available in 8-pin μ MAX[®] and SO packages and operate over the -55°C to +125°C temperature range.

Applications

- PCs
- Servers
- Office Electronics
- Electronic Test Equipment
- Industrial Process Control

Typical Application Circuits



μ MAX is a registered trademark of Maxim Integrated Products, Inc.

Features

- Timeout Prevents Bus Lockup (MAX7500, MAX7501, MAX7502)
- Hardware Reset for Added Protection
- I²C Bus Interface
- 3.0V to 5.5V Supply Voltage Range
- 250 μ A (typ) Operating Supply Current
- 3 μ A (typ) Shutdown Supply Current
- $\pm 1.5^\circ\text{C}$ (max) Temperature Accuracy (-25°C to +100°C, 3- σ)
- μ MAX, SO Packages Save Space
- Separate Open-Drain OS Output Operates as Interrupt or Comparator/Thermostat Input
- Register Readback Capability
- Improved LM75 Second Source

Ordering Information/ Selector Guide

| PART | TEMP RANGE | PIN-PACKAGE | $\overline{\text{RESET}}$ | TIMEOUT |
|------------|-----------------|-------------|---------------------------|---------|
| MAX7500MSA | -55°C to +125°C | 8 SO | — | X |

Ordering Information/Selector Guide continued at end of data sheet.

Pin Configurations appear at end of data sheet.

Absolute Maximum Ratings

(Note 1)

| | |
|--|-----------------------------------|
| +V _S to GND..... | -0.3V to +6V |
| OS, SDA, SCL to GND..... | -0.3V to +6.0V |
| All Other Pins to GND..... | -0.3V to (+V _S + 0.3V) |
| Input Current at Any Pin (Note 2)..... | +5mA |
| Package Input Current (Note 2)..... | +20mA |
| ESD Protection (all pins, Human Body Model, Note 3) .. | ±2000V |
| Continuous Power Dissipation (T _A = +70°C) | |
| 8-Pin μMAX (derate 4.5mW/°C above +70°C)..... | 362mW |
| 8-Pin SO (derate 5.9mW/°C above +70°C)..... | 471mW |

| | |
|--|-----------------|
| Operating Temperature Range..... | -55°C to +125°C |
| Junction Temperature..... | +150°C |
| Storage Temperature Range..... | -65°C to +150°C |
| Lead Temperature (soldering, 10s)..... | +300°C |
| Soldering Temperature (reflow) | |
| Lead(Pb)-free..... | +260°C |
| Containing lead(Pb)..... | +240°C |

Note 1: Absolute Maximum Ratings indicate limits beyond which damage to the device may occur. DC and AC electrical specifications do not apply when operating the device beyond its rated operating conditions.

Note 2: When the input voltage (V_I) at any pin exceeds the power supplies (V_I < V_{GND} or V_I > +V_S), the current at that pin should be limited to 5mA. The 20mA maximum package input current rating limits the number of pins that can safely exceed the power supplies with an input current of 5mA to 4.

Note 3: Human Body Model, 100pF discharged through a 1.5kΩ resistor.

Stresses beyond those listed under "Absolute Maximum Ratings" may cause permanent damage to the device. These are stress ratings only, and functional operation of the device at these or any other conditions beyond those indicated in the operational sections of the specifications is not implied. Exposure to absolute maximum rating conditions for extended periods may affect device reliability.

Electrical Characteristics

(+V_S = +3.0V to +5.5V, T_A = -55°C to +125°C, unless otherwise noted. Typical values are at +V_S = +3.3V, T_A = +25°C.) (Notes 4, 5)

| PARAMETER | SYMBOL | CONDITIONS | MIN | TYP | MAX | UNITS |
|---------------------------------------|-----------------|-------------------------------------|-----------------------|-----------------------|------|-------------|
| Accuracy, 6-σ | | -25°C ≤ T _A ≤ +100°C | -2.0 | | ±2.0 | °C |
| | | -55°C ≤ T _A ≤ +125°C | -3.0 | | ±3.0 | |
| Accuracy, 3-σ (Note 5) | | -25°C ≤ T _A ≤ +100°C | -1.5 | | +1.5 | °C |
| | | -55°C ≤ T _A ≤ +125°C | -2.0 | | +2.0 | |
| Resolution | | | | 9 | | bits |
| Conversion Time | | (Note 6) | | 100 | | ms |
| Quiescent Supply Current | | I _{2C} inactive | | 0.25 | 0.5 | mA |
| | | Shutdown mode, +V _S = 3V | | 3 | μA | |
| | | Shutdown mode, +V _S = 5V | | 5 | | |
| +V _S Supply Voltage Range | | | 3.0 | | 5.5 | V |
| OS Output Saturation Voltage | | I _{OUT} = 4.0mA (Note 7) | | | 0.8 | V |
| OS Delay | | (Note 8) | 1 | | 6 | Conversions |
| T _{OS} Default Temperature | | (Note 9) | | 80 | | °C |
| T _{HYST} Default Temperature | | (Note 9) | | 75 | | °C |
| LOGIC (SDA, SCL, A0, A1, A2) | | | | | | |
| Input High Voltage | V _{IH} | | +V _S x 0.7 | | | V |
| Input Low Voltage | V _{IL} | | | +V _S x 0.3 | | V |
| Input High Current | I _{IH} | V _{IN} = 5V | | 0.005 | 1.0 | μA |
| Input Low Current | I _{IL} | V _{IN} = 0V | | 0.005 | 1.0 | μA |
| Input Capacitance | | All digital inputs | | 5 | | pF |
| Output High Current | | V _{IN} = 5V | | | 1 | μA |
| Output Low Voltage | | I _{OL} = 3mA | | | 0.4 | V |

Electrical Characteristics (continued)

(+V_S = +3.0V to +5.5V, T_A = -55°C to +125°C, unless otherwise noted. Typical values are at +V_S = +3.3V, T_A = +25°C.) (Notes 4, 5)

| PARAMETER | SYMBOL | CONDITIONS | MIN | TYP | MAX | UNITS |
|---|----------------------|------------------------------------|------------------------------|---------------------------------|-----|-------|
| I²C-COMPATIBLE TIMING (Note 10) | | | | | | |
| Serial Clock Frequency | f _{SCL} | Bus timeout inactive | DC | | 400 | kHz |
| Minimum $\overline{\text{RESET}}$ Pulse Width | | | 1 | | | μs |
| Bus Free Time Between STOP and START Conditions | t _{BUF} | | 1.3 | | | μs |
| START Condition Hold Time | t _{HD:STA} | | 0.6 | | | μs |
| STOP Condition Setup Time | t _{SU:STO} | 90% of SCL to 10% of SDA | 100 | | | ns |
| Clock Low Period | t _{LOW} | | 1.3 | | | μs |
| Clock High Period | t _{HIGH} | | 0.6 | | | μs |
| START Condition Setup Time | t _{SU:STA} | 90% of SCL to 90% of SDA | 100 | | | ns |
| Data Setup Time | t _{SU:DAT} | 10% of SDA to 10% of SCL | 100 | | | ns |
| Data Hold Time | t _{HD:DAT} | 10% of SCL to 10% of SDA (Note 11) | 0 | | 0.9 | μs |
| Maximum Receive SCL/SDA Rise Time | t _R | | | 300 | | ns |
| Minimum Receive SCL/SDA Rise Time | t _R | (Note 12) | | 20 + 0.1 x C _B | | ns |
| Maximum Receive SCL/SDA Fall Time | t _F | | | 300 | | ns |
| Minimum Receive SCL/SDA Fall Time | t _F | (Note 12) | | 20 + 0.1 x C _B | | ns |
| Transmit SDA Fall Time | t _F | (Note 12) | 20 + 0.1 x C _B | | 250 | ns |
| Pulse Width of Suppressed Spike | t _{SP} | (Note 13) | 0 | | 50 | ns |
| SDA Time Low for Reset of Serial Interface | t _{TIMEOUT} | MAX7500/MAX7501/MAX7502 (Note 14) | 150 | | 300 | ms |

Note 4: All parameters are measured at +25°C. Values over the temperature range are guaranteed by design.

Note 5: There are no industry-wide standards for temperature accuracy specifications. These values allow comparison to vendors who use 3-σ limits.

Note 6: This specification indicates how often temperature data is updated. The devices can be read at any time without regard to conversion state, while yielding the last conversion result.

Note 7: For best accuracy, minimize output loading. Higher sink currents can affect sensor accuracy due to internal heating.

Note 8: OS delay is user programmable up to six “over-limit” conversions before OS is set to minimize false tripping in noisy environments.

Note 9: Default values set at power-up.

Note 10: All timing specifications are guaranteed by design.

Note 11: A master device must provide a hold time of at least 300ns for the SDA signal to bridge the undefined region of SCL’s falling edge.

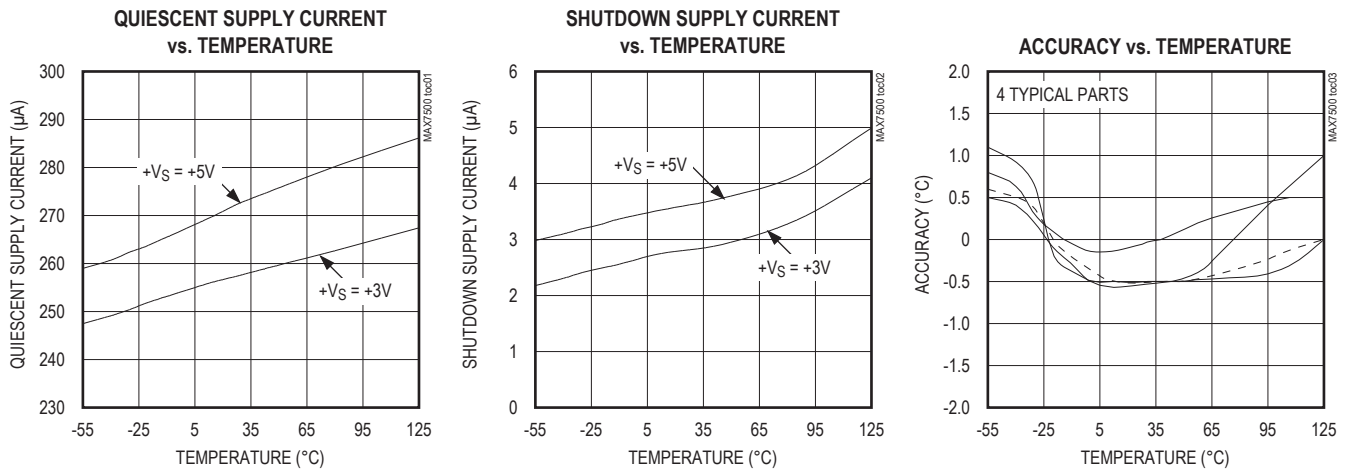
Note 12: C_B = total capacitance of one bus line in pF. Tested with C_B = 400pF.

Note 13: Input filters on SDA, SCL, and A₋ suppress noise spikes less than 50ns.

Note 14: Holding the SDA line low for a time greater than t_{TIMEOUT} causes the devices to reset SDA to the IDLE state of the serial bus communication (SDA set high).

Typical Operating Characteristics

(T_A = +25°C, unless otherwise noted.)



Pin Description

| PIN | | NAME | FUNCTION |
|---------|-----------------|---------------------------|--|
| MAX7500 | MAX7501–MAX7504 | | |
| 1 | 1 | SDA | Serial Data Input/Output Line. Open drain. Connect SDA to a pullup resistor. |
| 2 | 2 | SCL | Serial Data Clock Input. Open drain. Connect SCL to a pullup resistor. |
| 3 | 3 | OS | Overtemperature Shutdown Output. Open drain. Connect OS to a pullup resistor. |
| 4 | 4 | GND | Ground |
| 5 | — | A2 | 2-Wire Interface Address Input. Connect A2 to GND or +V _S to set the desired I ² C bus address. Do not leave unconnected (see Table 1). |
| — | 5 | $\overline{\text{RESET}}$ | Active-Low Reset Input. Pull $\overline{\text{RESET}}$ low for longer than the minimum reset pulse width to reset the I ² C bus and all internal registers to their POR values. |
| 6 | 6 | A1 | 2-Wire Interface Address Input. Connect A1 to GND or +V _S to set the desired I ² C bus address. Do not leave unconnected (see Table 1). |
| 7 | 7 | A0 | 2-Wire Interface Address Input. Connect A0 to GND or +V _S to set the desired I ² C bus address. Do not leave unconnected (see Table 1). |
| 8 | 8 | +V _S | Positive Supply Voltage Input. Bypass to GND with a 0.1µF bypass capacitor. |

Detailed Description

The MAX7500–MAX7504 temperature sensors measure temperature, convert the data into digital form using a sigma-delta ADC, and communicate the conversion results through an I²C-compatible 2-wire serial interface. These devices accept standard I²C commands to read

the data, set the overtemperature alarm (OS) trip thresholds, and configure other characteristics. The MAX7500 features three address select lines (A0, A1, A2) while the MAX7501–MAX7504 feature two address select lines (A0, A1) and a $\overline{\text{RESET}}$ input. The MAX7500–MAX7504 operate from +3.0V to +5.5V supply voltages and consume 250µA of supply current.

Table 1. I²C Slave Addresses

| DEVICE | BIT 7 | BIT 6 | BIT 5 | BIT 4 | BIT 3 | BIT 2 | BIT 1 | BIT 0 |
|---------|-------|-------|-------|-------|-------|-------|-------|--------------------|
| MAX7500 | 1 | 0 | 0 | 1 | A2 | A1 | A0 | RD/ \overline{W} |
| MAX7501 | 1 | 0 | 0 | 1 | 1 | A1 | A0 | RD/ \overline{W} |
| MAX7502 | 1 | 0 | 0 | 1 | 0 | A1 | A0 | RD/ \overline{W} |
| MAX7503 | 1 | 0 | 0 | 1 | 1 | A1 | A0 | RD/ \overline{W} |
| MAX7504 | 1 | 0 | 0 | 1 | 0 | A1 | A0 | RD/ \overline{W} |

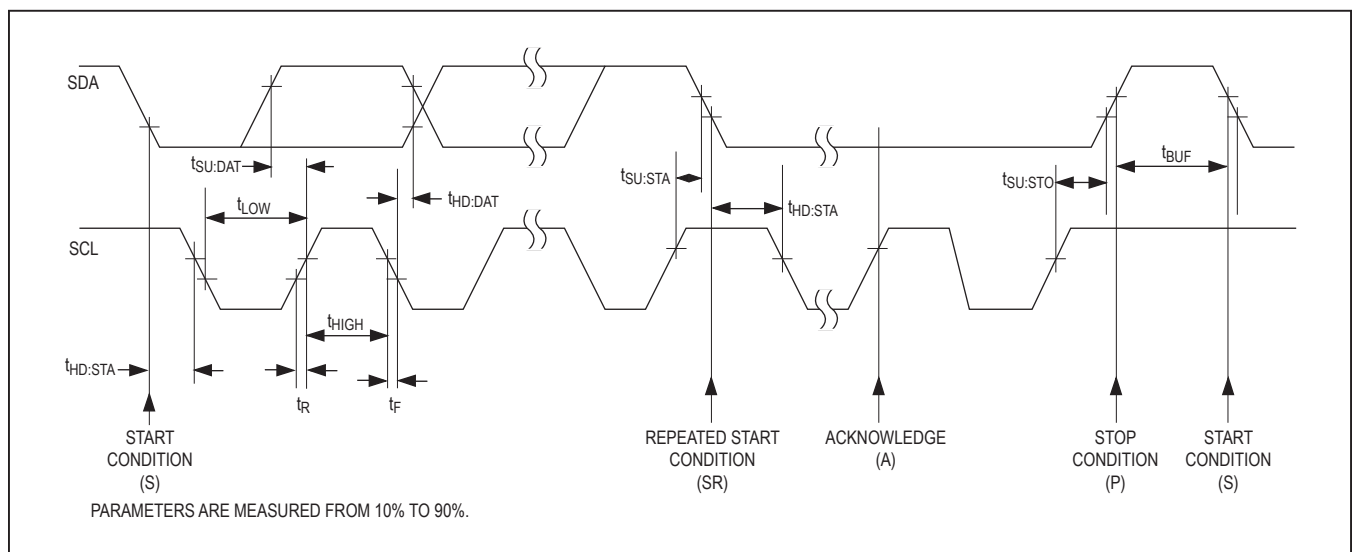


Figure 1. Serial Bus Timing

I²C-Compatible Bus Interface

From a software perspective, the MAX7500–MAX7504 appear as a set of byte-wide registers that contain temperature data, alarm threshold values, and control bits. A standard I²C-compatible 2-wire serial interface reads temperature data and writes control bits and alarm threshold data. Each device responds to its own I²C slave address, which is selected using A0, A1, and A2. See Table 1.

The MAX7500–MAX7504 employ four standard I²C protocols: write byte, read byte, send byte, and receive byte

(Figures 1, 2, and 3). The shorter receive byte protocol allows quicker transfers, provided that the correct data register was previously selected by a read-byte instruction. Use caution when using the shorter protocols in multimaster systems, as a second master could overwrite the command byte without informing the first master. The MAX7500 has eight different slave addresses available; therefore, a maximum of eight MAX7500 devices can share the same bus. The MAX7501–MAX7504 each have four different slave addresses available.

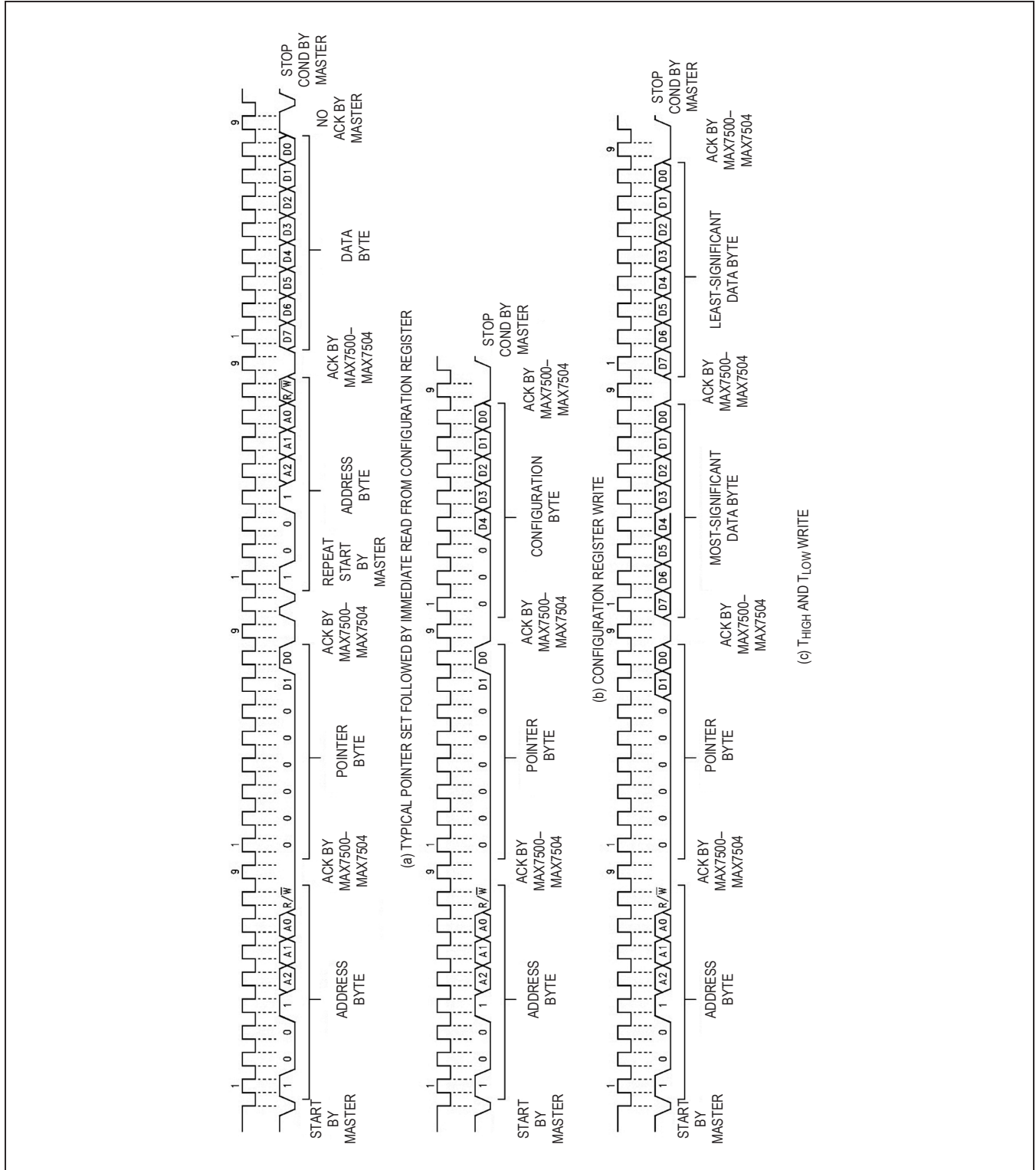


Figure 2. I²C-Compatible Timing Diagram (Write)

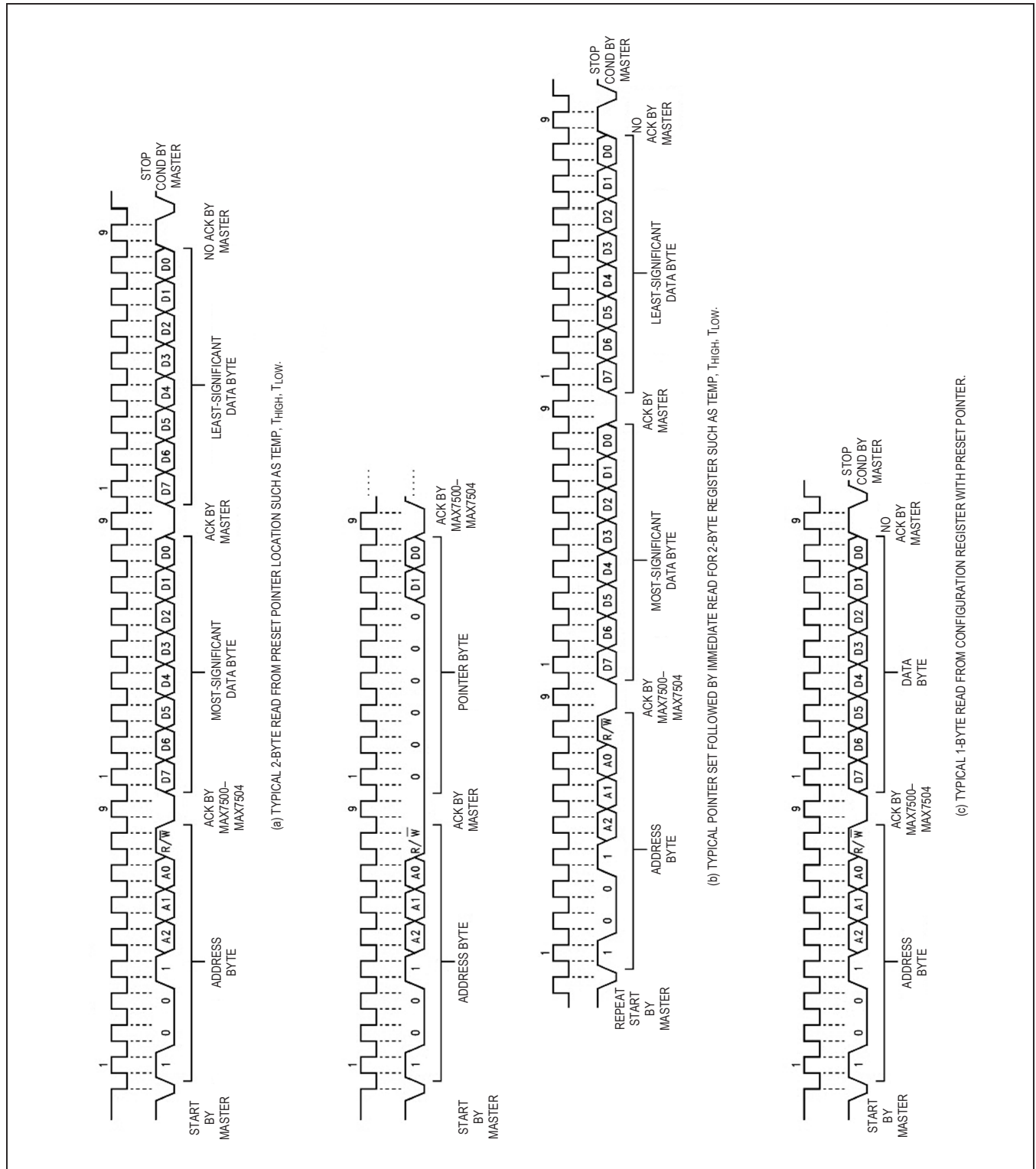


Figure 3. I²C-Compatible Timing Diagram (Read)

Table 2. Register Functions

| REGISTER NAME | ADDRESS (HEX) | POR STATE (HEX) | POR STATE (BINARY) | POR STATE (°C) | READ/ WRITE |
|-------------------|---------------|-----------------|--------------------|----------------|-------------|
| Temperature | 00 | — | — | — | Read only |
| Configuration | 01 | 00 | 0000 0000 | — | R/W |
| T _{HYST} | 02 | 4B0 | 0100 1011 0 | 75 | R/W |
| T _{OS} | 03 | 500 | 0101 0000 0 | 80 | R/W |

Table 3. Temperature Register Definition

| UPPER BYTE | | | | | | | | | LOWER BYTE | | | | | | |
|--|-------------|------|------|-----|-----|-----|-----|--------------|------------|----|----|----|----|----|----|
| D15 | D14 | D13 | D12 | D11 | D10 | D9 | D8 | D7 | D6 | D5 | D4 | D3 | D2 | D1 | D0 |
| Sign bit 1 = Negative 0 = Positive | MSB 64°C | 32°C | 16°C | 8°C | 4°C | 2°C | 1°C | LSB 0.5°C | X | X | X | X | X | X | X |

X = Don't care.

Register Descriptions

The MAX7500–MAX7504 have an internal pnp-junction-based temperature sensor whose analog output is converted to digital form using a 9-bit sigma-delta ADC. The measured temperature and temperature configurations are controlled by the temperature, configuration, T_{HYST}, and T_{OS} registers. See Table 2.

Temperature Register

Read the measured temperature through the temperature register. The temperature data format is 9 bits, two's complement, and the register is read out in 2 bytes: an upper byte and a lower byte. Bit D15 is the sign bit. When bit D15 is 1, the temperature reading is negative. When bit D15 is zero, the temperature reading is positive. Bits D14–D7 contain the temperature data, with the LSB representing 0.5°C and the MSB representing 64°C (see Table 3). The MSB is transmitted first. The last 7 bits of the lower byte, bits D6–D0, are don't cares. When reading the temperature register, bits D6–D0 must be ignored. When

the measured temperature is greater than +127.5°C, the value stored in the temperature register is clipped to 7F8h. When the measured temperature is below -64°C, the value in the temperature register is clipped to BF8h.

During the time of reading the temperature register, any changes in temperature are ignored until the read is completed. The temperature register is updated upon completion of the next conversion.

Table 3 lists the temperature register definition.

Configuration Register

The 8-bit configuration register sets the fault queue, OS polarity, shutdown control, and whether the OS output functions in comparator or interrupt mode. When writing to the configuration register, set bits D7, D6, and D5 to zero. See Table 5.

Bits D4 and D3, the fault queue bits, determine the number of faults necessary to trigger an OS condition. See Table 6. The number of faults set in the queue must occur to trip the OS output. The fault queue prevents OS false tripping in noisy environments.

Set bit D2, the OS polarity bit, to zero to force the OS output active low. Set bit D2 to 1 to set the OS output polarity to active high. OS is an open-drain output under all conditions and requires a pullup resistor to output a high voltage. See Figure 4.

Set bit D1, the comparator/interrupt bit to zero to run the overtemperature shutdown block in comparator mode. In comparator mode, OS is asserted when the temperature rises above the T_{OS} value. OS is deasserted when the temperature drops below the T_{HYST} value.

Table 4. Temperature Data Output

| TEMPERATURE (°C) | DIGITAL OUTPUT | |
|------------------|---------------------|------|
| | BINARY | hex |
| +125 | 0111 1101 0xxx xxxx | 7D0x |
| +25 | 0001 1001 0xxx xxxx | 190x |
| +0.5 | 0000 0000 1xxx xxxx | 008x |
| 0 | 0000 0000 0xxx xxxx | 000x |
| -0.5 | 1111 1111 1xxx xxxx | FF8x |
| -25 | 1110 0111 0xxx xxxx | E70x |
| -55 | 1100 1001 0xxx xxxx | C90x |

Table 5. Configuration Register Definition

| D7 | D6 | D5 | D4 | D3 | D2 | D1 | D0 |
|----|----|----|-------------|-------------|-------------|-----------------------|----------|
| 0 | 0 | 0 | Fault queue | Fault queue | OS polarity | Comparator/ interrupt | Shutdown |

Table 6. Configuration Register Fault Queue Bits

| D4 | D3 | NO. OF FAULTS |
|----|----|---------------|
| 0 | 0 | 1 (POR state) |
| 0 | 1 | 2 |
| 1 | 0 | 4 |
| 1 | 1 | 6 |

See Figure 4. Set bit D1 to 1 to run the overtemperature shutdown block in interrupt mode. OS is asserted in interrupt mode when the temperature rises above the T_{OS} value or falls below the T_{HYST} value. OS is deasserted only after performing a read operation.

Set bit D0, the shutdown bit, to zero for normal operation. Set bit D0 to 1 to shut down the MAX7500–MAX7504 internal blocks, dropping the supply current to 3µA. The I²C interface remains active as long as the shutdown bit is set. The T_{OS} , T_{HYST} , and configuration registers can still be written to and read from while in shutdown.

T_{OS} and T_{HYST} Registers

In comparator mode, the OS output behaves like a thermostat. The output asserts when the temperature rises above the limit set in the T_{OS} register. The output deasserts when the temperature falls below the limit set in the T_{HYST} register. In comparator mode, the OS output can be used to turn on a cooling fan, initiate an emergency shutdown signal, or reduce system clock speed.

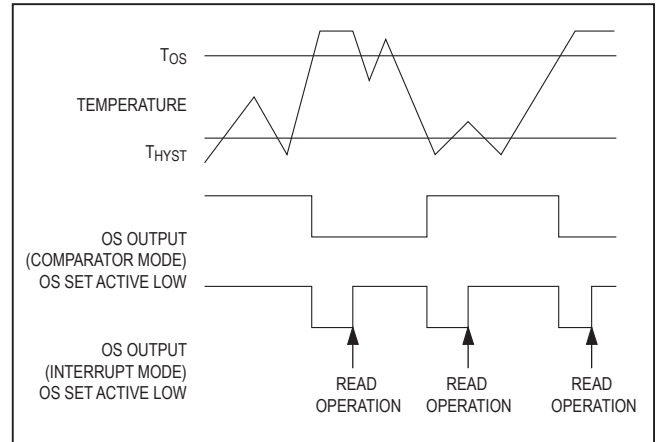


Figure 4. OS Timing Diagram

In interrupt mode, exceeding T_{OS} also asserts OS. OS remains asserted until a read operation is performed on any of the registers. Once OS has asserted due to crossing above T_{OS} and is then reset, it is asserted again only when the temperature drops below T_{HYST} . The output remains asserted until it is reset by a read. Putting the MAX7500–MAX7504 into shutdown mode also resets OS.

The T_{OS} and T_{HYST} registers are accessed with 2 bytes, with bits D15–D7 containing the data. Bits D6–D0 are don't cares when writing to these two registers and read-back zeros when reading from these registers. The LSB represents 0.5°C while the MSB represents 64°C. See Table 7.

Table 7. T_{OS} and T_{HYST} Register Definitions

| COMMAND | UPPER BYTE | | | | | | | | LOWER BYTE | | | | | | | |
|---------|--|-------------|------|------|-----|-----|-----|-----|--------------|----|----|----|----|----|----|----|
| | D15 | D14 | D13 | D12 | D11 | D10 | D9 | D8 | D7 | D6 | D5 | D4 | D3 | D2 | D1 | D0 |
| Write | Sign bit 1 = negative 0 = positive | MSB 64°C | 32°C | 16°C | 8°C | 4°C | 2°C | 1°C | LSB 0.5°C | X | X | X | X | X | X | X |
| Read | Sign bit 1 = negative 0 = positive | MSB 64°C | 32°C | 16°C | 8°C | 4°C | 2°C | 1°C | LSB 0.5°C | 0 | 0 | 0 | 0 | 0 | 0 | 0 |

X = Don't care.

Shutdown

Set bit D0 in the configuration register to 1 to place the MAX7500–MAX7504 in shutdown mode and reduce supply current to 3 μ A.

Power-Up and Power-Down

The MAX7500–MAX7504 power up to a known state, as indicated in Table 2. Some of these settings are summarized below:

- Comparator mode
- $T_{OS} = +80^{\circ}\text{C}$
- $T_{HYST} = +75^{\circ}\text{C}$
- OS active low
- Pointer = 00

Internal Registers

The MAX7500–MAX7504s' pointer register selects between four data registers. See Figure 5. At power-up, the pointer is set to read the temperature register at address 00. The pointer register latches the last location to which it was set. All registers are read and write, except the temperature register, which is read only.

Write to the configuration register by writing an address byte, a data pointer byte, and a data byte. If 2 data bytes are written, the second data byte overrides the first. If more than 2 data bytes are written, only the first 2 bytes are recognized while the remaining bytes are ignored. The T_{OS} and T_{HYST} registers require 1 address byte and 1 pointer byte and 2 data bytes. If only 1 data byte is written, it is saved in bits D15–D8 of the respective register. If more than 2 data bytes are written, only the first 2 bytes are recognized while the remaining bytes are ignored.

Read from the MAX7500–MAX7504 in one of two ways. If the location latched in the pointer register is set from the previous read, the new read consists of an address byte, followed by retrieving the corresponding number of data bytes. If the pointer register needs to be set to a new address, perform a read operation by writing an address byte, pointer byte, repeat start, and another address byte.

An inadvertent 8-bit read from a 16-bit register, with the D7 bit low, can cause the MAX7500–MAX7504 to stop in a state where the SDA line is held low. Ordinarily, this would prevent any further bus communication until the master sends nine additional clock cycles or SDA goes high. At that time, a stop condition resets the device. With the MAX7500/MAX7501/MAX7502, if the additional clock

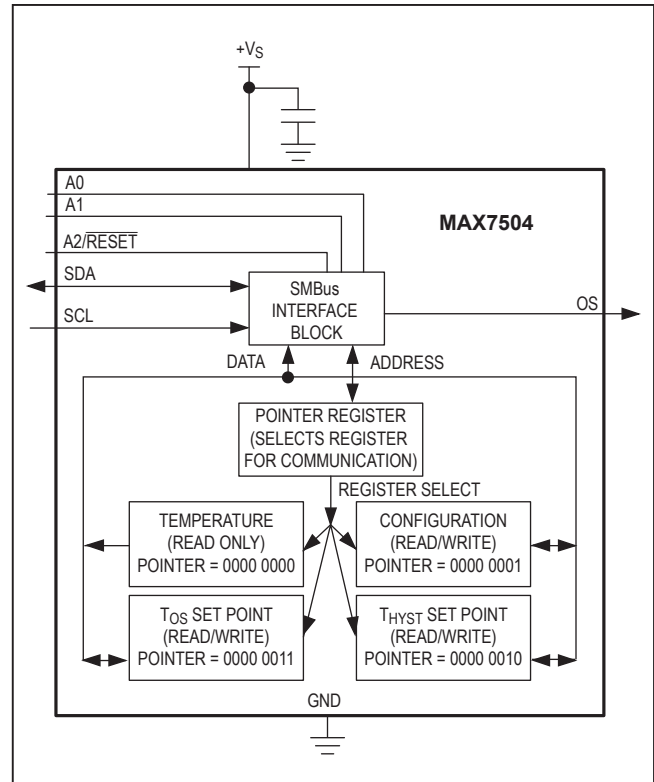


Figure 5. Block Diagram

cycles are not generated by the master, the bus resets and unlocks after the bus timeout period has elapsed.

The MAX7501–MAX7504 can be reset by pulsing $\overline{\text{RESET}}$ low.

Bus Timeout

Communication errors sometimes occur due to noise pick-up on the bus. In the worst case, such errors can cause the slave device to hold the data line low, thereby preventing other devices from communicating over the bus. The MAX7500/MAX7501/MAX7502s' internal bus timeout circuit resets the bus and releases the data line if the line is low for more than 250ms. When the bus timeout is active, the minimum serial clock frequency is limited to 6Hz.

RESET

The $\overline{\text{RESET}}$ input on the MAX7501/MAX7504 provides a way to reset the I²C bus and all the internal registers to their initial POR values. To reset, apply a low pulse with a duration of at least 1 μ s to the $\overline{\text{RESET}}$ input.

Applications Information

Digital Noise

The MAX7500–MAX7504 feature an integrated lowpass filter on both the SCL and the SDA digital lines to mitigate the effects of bus noise. Although this filtering makes communication robust in noisy environments, good layout practices are always recommended. Minimize noise coupling by keeping digital traces away from switching power supplies. Ensure that digital lines containing high-speed data communications cross at right angles to the SDA and SCL lines.

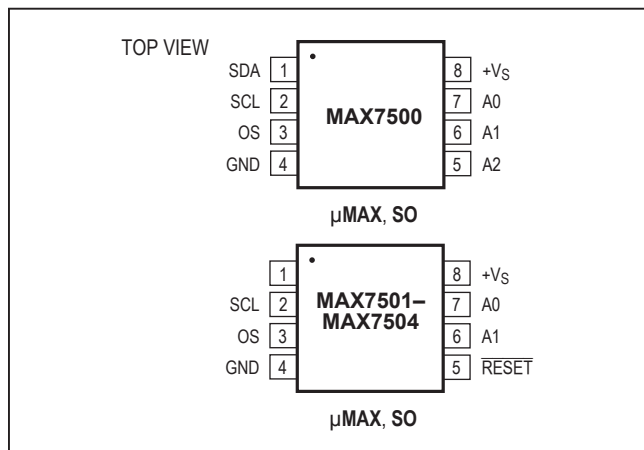
Excessive noise coupling into the SDA and SCL lines on the MAX7500–MAX7504—specifically noise with amplitude greater than 400mV_{P-P} (the MAX7500–MAX7504s’ typical hysteresis), overshoot greater than 300mV above +V_S, and undershoot more than 300mV below GND—may prevent successful serial communication. Serial bus no-acknowledge is the most common symptom, causing unnecessary traffic on the bus.

Care must be taken to ensure proper termination within a system with long PCB traces or multiple parts on the bus. Resistance can be added in series with the SDA and SCL lines to further help filter noise and ringing. If it proves to be necessary, a 5kΩ resistor should be placed in series with the SCL line, placed as close as possible to SCL. This 5kΩ resistor, with the 5pF to 10pF stray capacitance of the MAX7500–MAX7504 provide a 6MHz to 12MHz lowpass filter, which is sufficient filtering in most cases.

Chip Information

PROCESS: CMOS

Pin Configurations



Ordering Information/ Selector Guide continued

| PART | TEMP RANGE | PIN-PACKAGE | RESET TIMEOUT | |
|-------------------|-----------------|-------------|---------------|---|
| MAX7500MSA+ | -55°C to +125°C | 8 SO | — | X |
| MAX7500MUA | -55°C to +125°C | 8 μMAX | — | X |
| MAX7500MUA+ | -55°C to +125°C | 8 μMAX | — | X |
| MAX7501MSA | -55°C to +125°C | 8 SO | X | X |
| MAX7501MSA+ | -55°C to +125°C | 8 SO | X | X |
| MAX7501MUA | -55°C to +125°C | 8 μMAX | X | X |
| MAX7501MUA+ | -55°C to +125°C | 8 μMAX | X | X |
| MAX7502MSA | -55°C to +125°C | 8 SO | X | X |
| MAX7502MSA+ | -55°C to +125°C | 8 SO | X | X |
| MAX7502MUA | -55°C to +125°C | 8 μMAX | X | X |
| MAX7502MUA+ | -55°C to +125°C | 8 μMAX | X | X |
| MAX7503MSA | -55°C to +125°C | 8 SO | X | — |
| MAX7503MSA+ | -55°C to +125°C | 8 SO | X | — |
| MAX7503MUA | -55°C to +125°C | 8 μMAX | X | — |
| MAX7503MUA+ | -55°C to +125°C | 8 μMAX | X | — |
| MAX7504MSA | -55°C to +125°C | 8 SO | X | — |
| MAX7504MSA+ | -55°C to +125°C | 8 SO | X | — |
| MAX7504MUA | -55°C to +125°C | 8 μMAX | X | — |
| MAX7504MUA+ | -55°C to +125°C | 8 μMAX | X | — |

+Denotes a lead(Pb)-free/RoHS-compliant package.

Package Information

For the latest package outline information and land patterns (footprints), go to www.maximintegrated.com/packages. Note that a "+", "#", or "-" in the package code indicates RoHS status only. Package drawings may show a different suffix character, but the drawing pertains to the package regardless of RoHS status.

| PACKAGE TYPE | PACKAGE CODE | DOCUMENT NO. | LAND PATTERN NO. |
|--------------|--------------|-------------------------|-------------------------|
| 8 SO | S8-2 | 21-0041 | 90-0096 |
| 8 μ MAX | U8-1 | 21-0036 | 90-0092 |

Revision History

| REVISION NUMBER | REVISION DATE | DESCRIPTION | PAGES CHANGED |
|-----------------|---------------|---|-----------------|
| 0 | 8/04 | Initial release of MAX7500 | — |
| 1 | 10/04 | Initial release of MAX7501/MAX7502 | All |
| 2 | 6/05 | Initial release of MAX7503/MAX7504 | All |
| 3 | 8/08 | Various corrections and edits to clarify specifications; added <i>Typical Application Circuits</i> | 1–4, 11, 12, 13 |
| 4 | 10/10 | Removed the UL certified bullet from the <i>Features</i> section as the parts have never been certified | 1 |
| 5 | 11/16 | Corrected markings of RESET and TIMEOUT functions in <i>Ordering Information</i> table | 1, 10, 11 |

For pricing, delivery, and ordering information, please contact Maxim Direct at 1-888-629-4642, or visit Maxim Integrated's website at www.maximintegrated.com.

Maxim Integrated cannot assume responsibility for use of any circuitry other than circuitry entirely embodied in a Maxim Integrated product. No circuit patent licenses are implied. Maxim Integrated reserves the right to change the circuitry and specifications without notice at any time. The parametric values (min and max limits) shown in the Electrical Characteristics table are guaranteed. Other parametric values quoted in this data sheet are provided for guidance.

Mouser Electronics

Authorized Distributor

Click to View Pricing, Inventory, Delivery & Lifecycle Information:

Maxim Integrated:

[MAX7500MSA+](#) [MAX7500MUA+](#) [MAX7501MSA+](#) [MAX7501MSA+T](#) [MAX7501MUA+](#) [MAX7501MUA+T](#)
[MAX7502MSA+](#) [MAX7502MSA+T](#) [MAX7502MUA+](#) [MAX7502MUA+T](#) [MAX7503MSA+](#) [MAX7503MSA+T](#)
[MAX7503MUA+](#) [MAX7503MUA+T](#) [MAX7504MSA+](#) [MAX7504MSA+T](#) [MAX7504MUA+](#) [MAX7504MUA+T](#)
[MAX7500MSA+T](#) [MAX7500MUA+T](#) [MAX7500MTA+T](#)