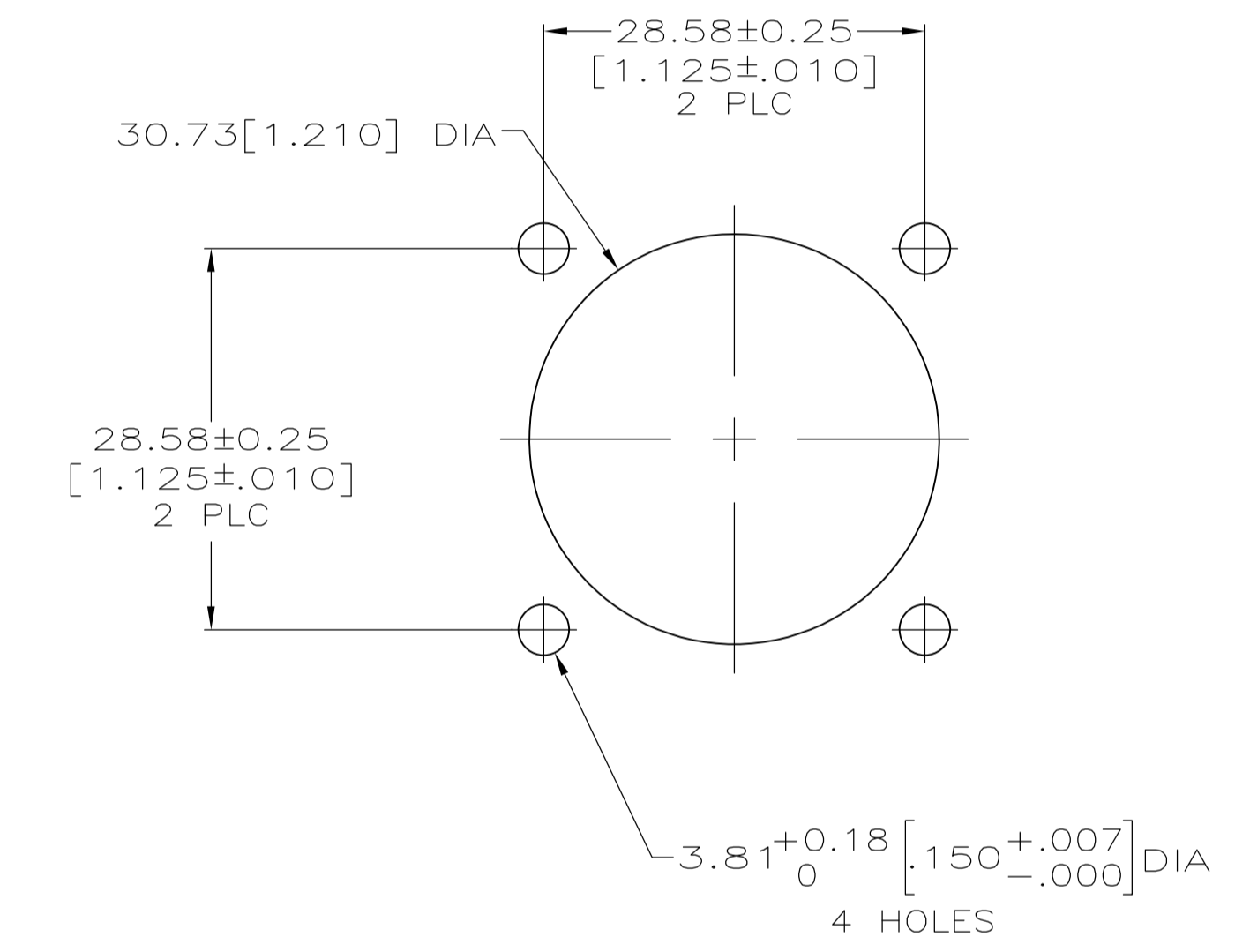
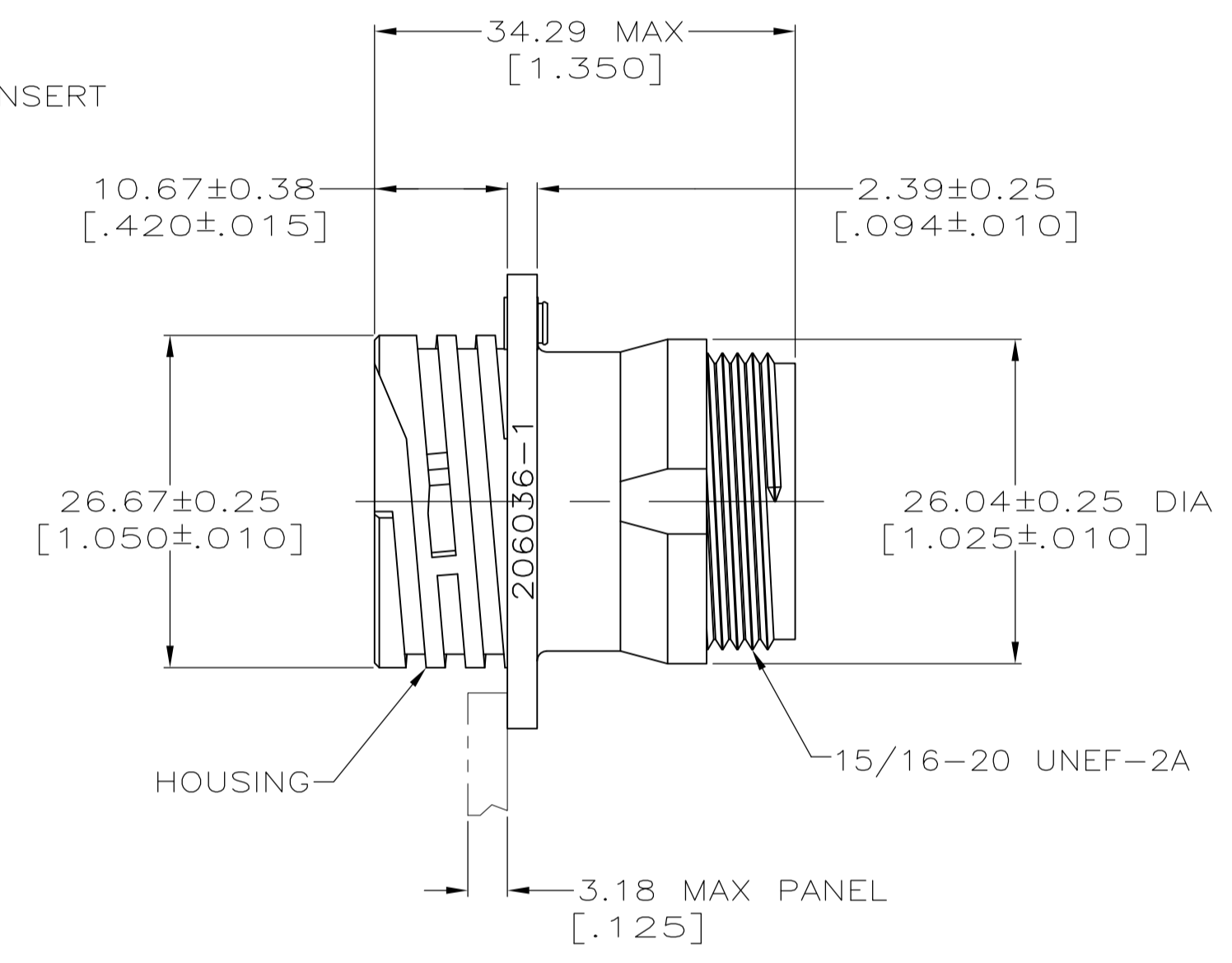
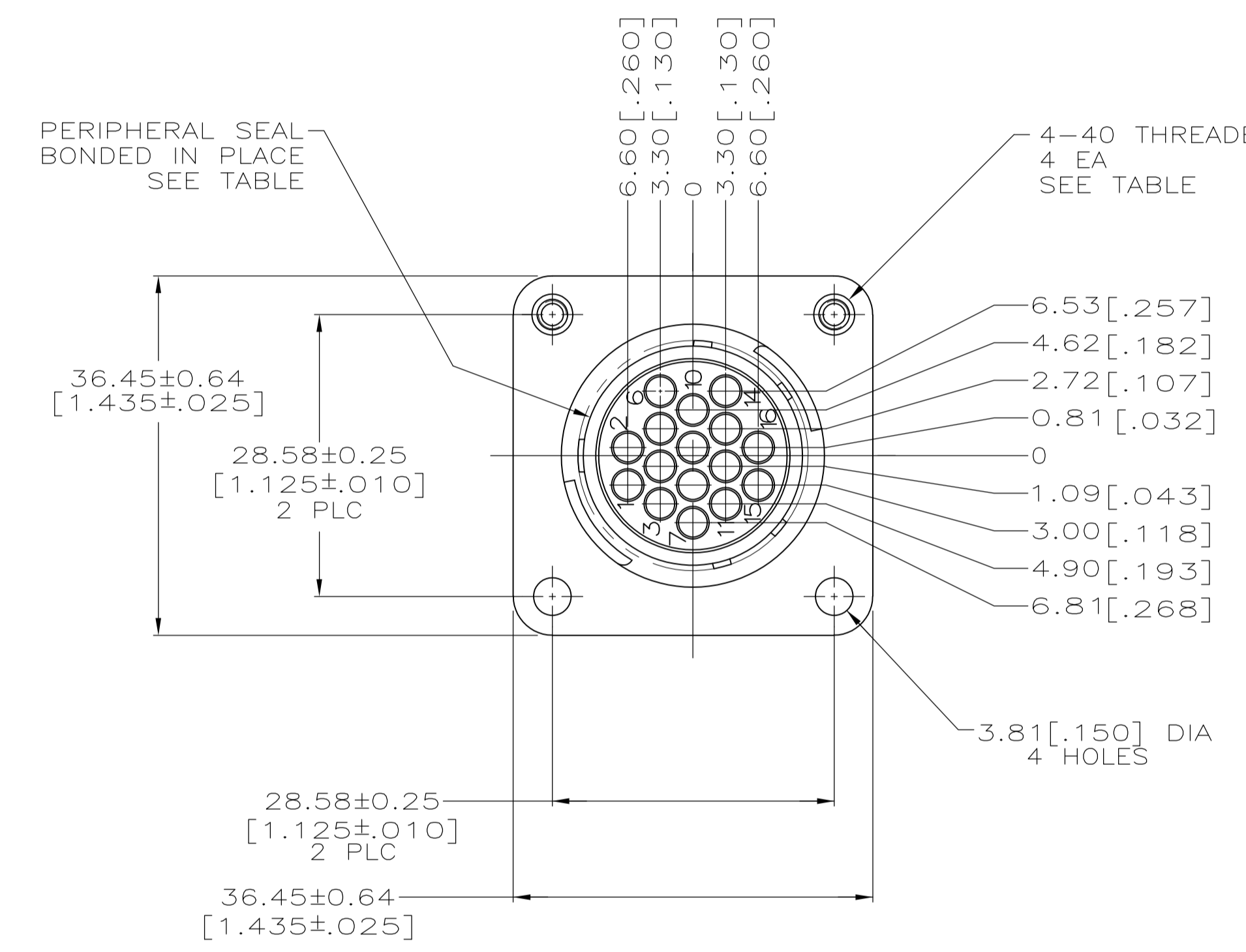


- 1 HOUSING: NYLON, BLACK.  
PERIPHERAL SEAL: ELASTOMER, GRAY.  
THREADED INSERTS: BRASS.
- 2 CAVITY IDENTIFICATION ON FRONT AND REAR FACE.
- 3 WILL ACCEPT (16) MULTIMATE PIN CONTACTS.
- 4 HOUSING: NYLON, BLUE.  
PERIPHERAL SEAL: ELASTOMER, GRAY.  
THREADED INSERTS: BRASS.
- 5 OBSOLETE PARTS: OBSOLETE CIS STREAMLINING PER D.RENAUD/D.SINISI



RECOMMENDED PANEL CUTOUT

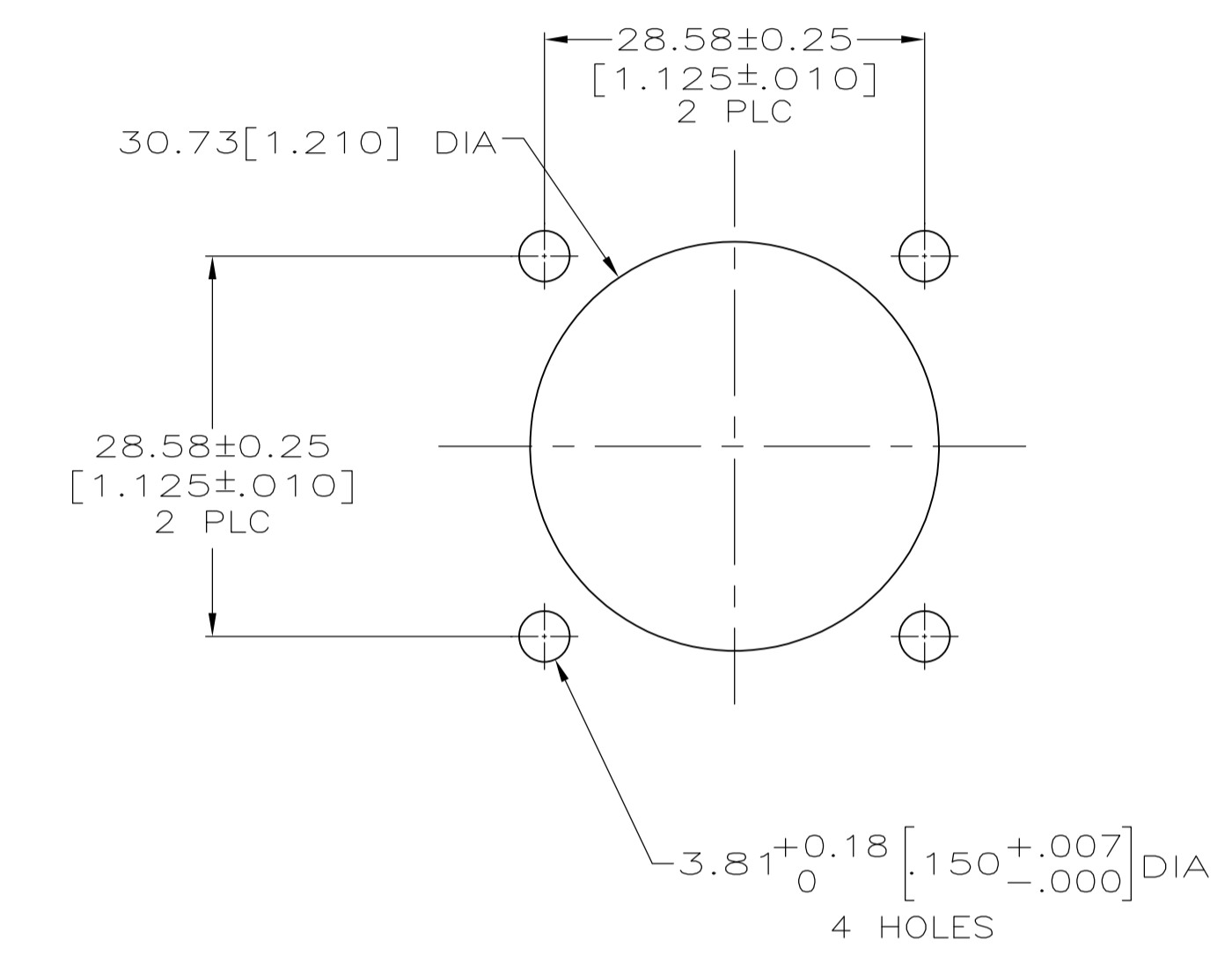
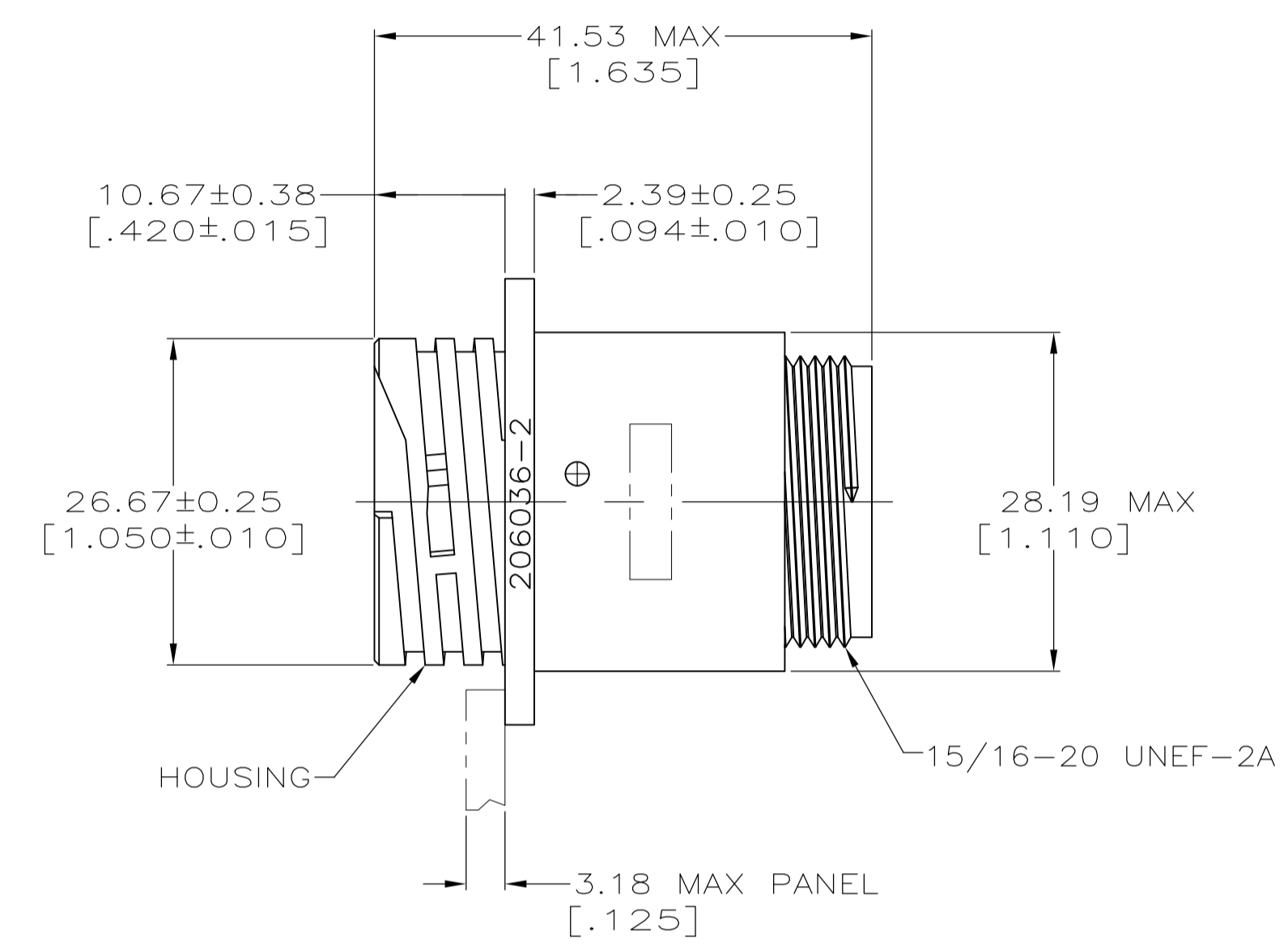
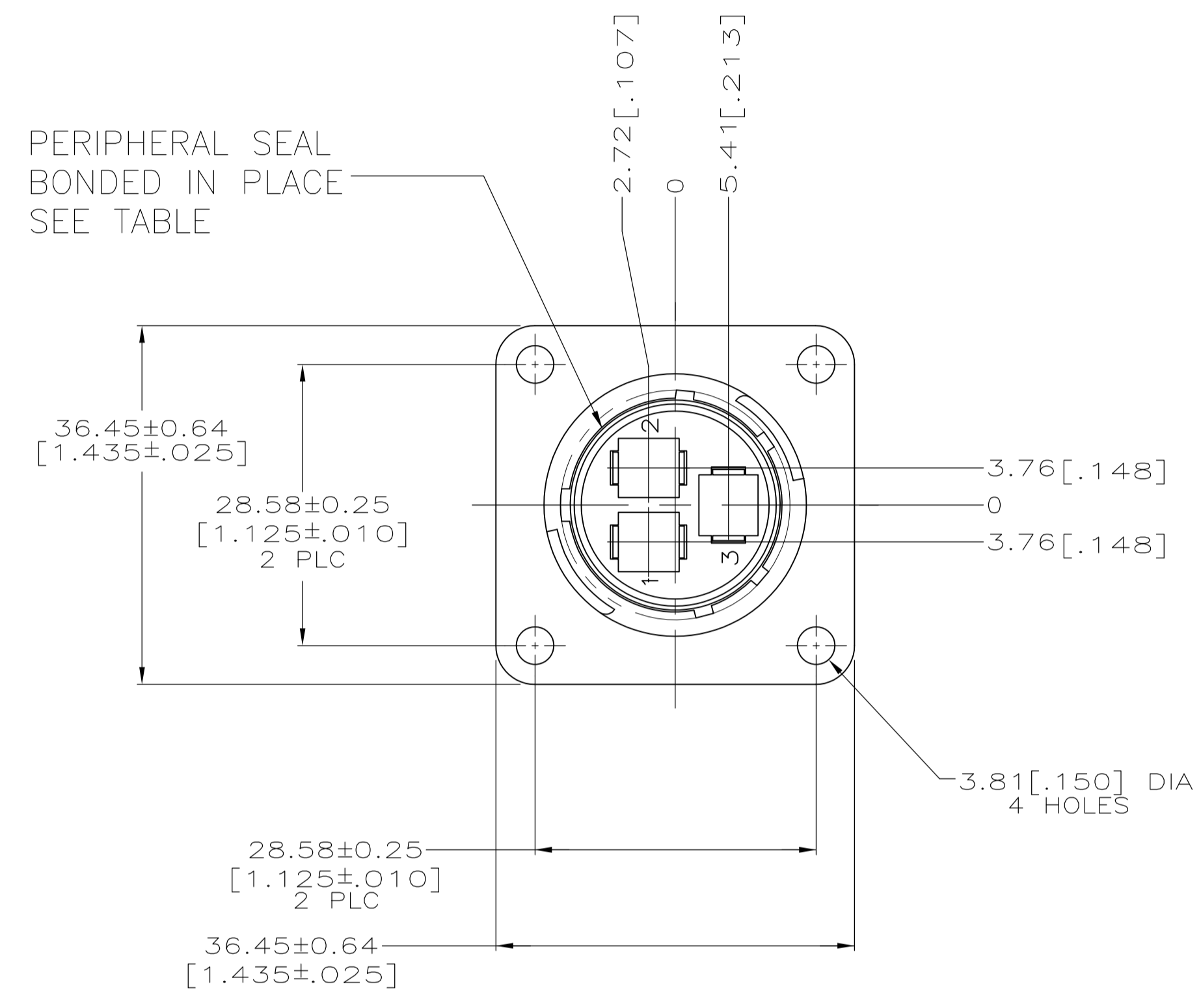
OBSOLETE	STANDARD	NO	YES	206036-9
	STANDARD	YES	NO	206036-8
	SMALL PACK	NO	NO	206036-7
	STANDARD	NO	YES	206036-4
	STANDARD	NO	NO	206036-1
MATERIAL	PACKAGING	4-40 THREADED INSERTS	PERIPHERAL SEAL	PART NUMBER

THIS DRAWING IS A CONTROLLED DOCUMENT.

DIMENSIONS:	TOLERANCES UNLESS OTHERWISE SPECIFIED:	DIN D. GELTZ 07/27/93	TE Connectivity
mm(INCHES)		7-22-93	
0 PLC ± -		8-12-93	NAME
1 PLC ± -			RECEPTACLE HOUSING, STD SEX, SHELL SIZE 17, CPC
2 PLC ± 0.13 [.005]			PRODUCT SPEC
3 PLC ± -			108-10024
4 PLC ± -			APPLICATION SPEC
ANGLES ± -			SIZE
MATERIAL	FINISH	WEIGHT	SCALE
-	-	-	2:1
CUSTOMER DRAWING		SIZE	SHEET
		A1 00779	1 OF 3
		REV	T

LOC	DIST	REVISIONS				
FT	0	REV	DESCRIPTION	DATE	BY	APPROV
-	-	1	SEE SHEET 1	-	-	-

- 1 CAVITY IDENTIFICATION ON FRONT AND REAR FACE.
- 2 WILL ACCEPT (3) TYPE XII PIN CONTACTS.
- 3 HOUSING: NYLON, BLACK.  
PERIPHERAL SEAL: ELASTOMER, GRAY.

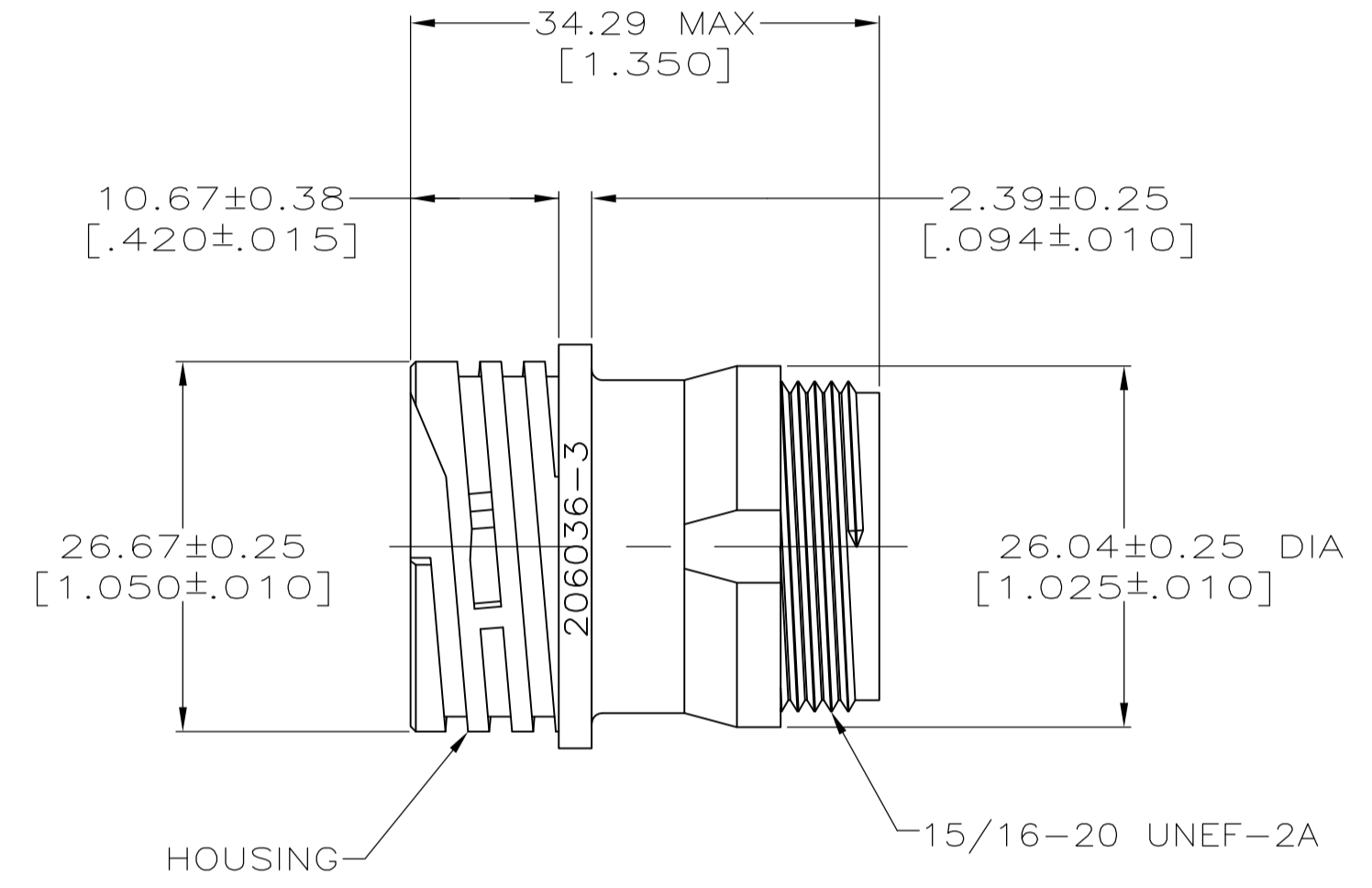
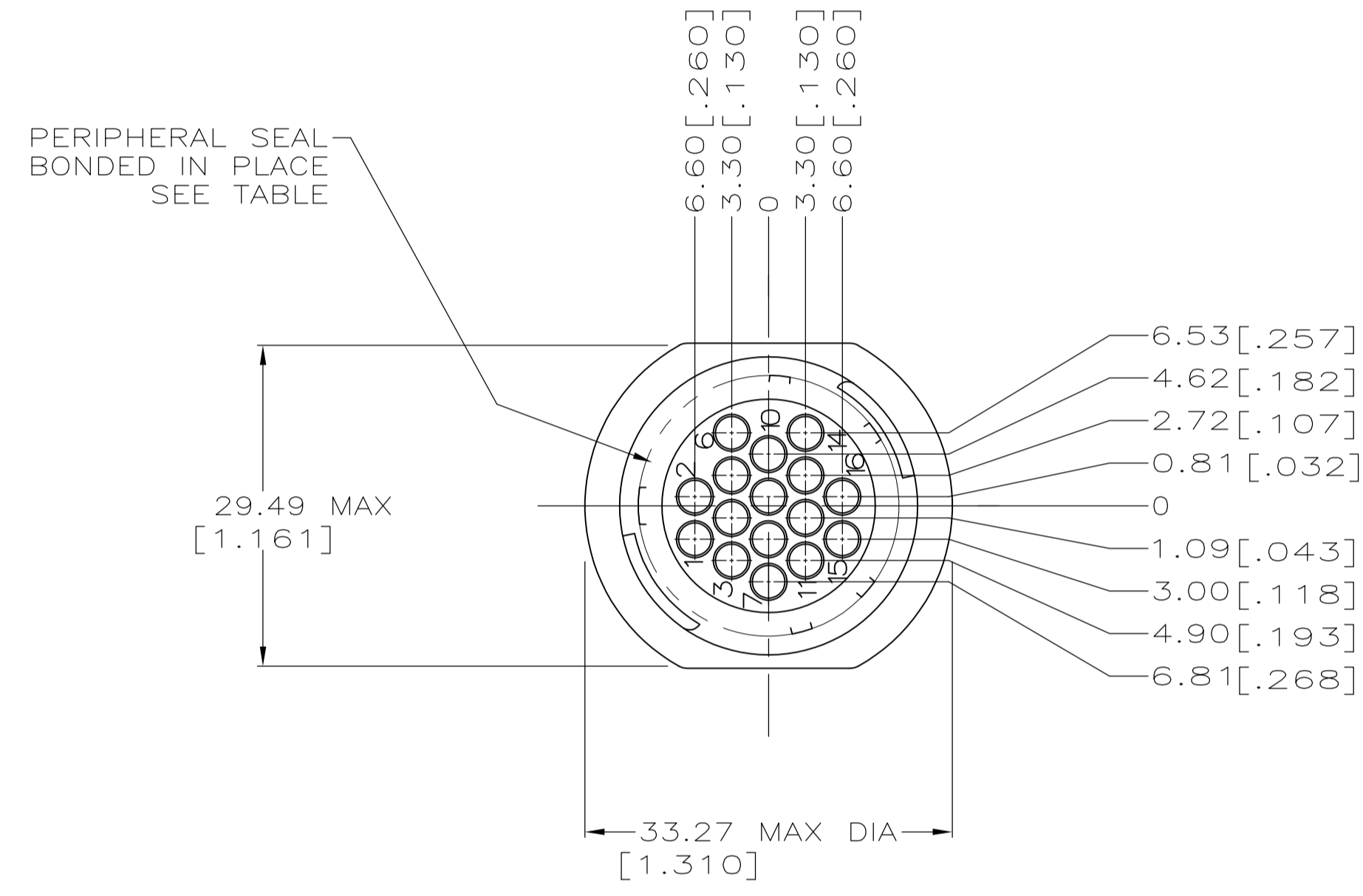


RECOMMENDED PANEL CUTOUT

PRELIMINARY	<input type="checkbox"/>	NO	YES	1-206036-6
	<input type="checkbox"/>	NO	NO	206036-2
MATERIAL	4-40 THREADED INSERTS	PERIPHERAL SEAL	PART NUMBER	
THIS DRAWING IS A CONTROLLED DOCUMENT.		DIN D. GELTZ 07/27/93	TE Connectivity RECEPTACLE HOUSING, STD SEX, SHELL SIZE 17, CPC	
DIMENSIONS: mm(INCHES)		CIK R. STONE 7-22-93		
TOLERANCES UNLESS OTHERWISE SPECIFIED:		APVO A. FRANTUM 8-12-93	NAME	
0 PLC ± -		PRODUCT SPEC	108-10024	
1 PLC ± -		APPLICATION SPEC	-	
2 PLC ± 0.13 [.005]		SIZE	A1	
3 PLC ± -		WEIGHT	-	
4 PLC ± -		CUSTOMER DRAWING	SCALE 2:1 SHEET 2 OF 3 REV T	
ANGLES ± -		FINISH	-	

LOC	DIST	REVISIONS				
FT	O	REV	DESCRIPTION	DATE	BY	APPROV
-	-	1	SEE SHEET 1	-	-	-

- 1 CAVITY IDENTIFICATION ON FRONT AND REAR FACE.
- 2 WILL ACCEPT (16) MULTIMATE PIN CONTACTS.
- 3 HOUSING: NYLON, BLACK.  
PERIPHERAL SEAL: ELASTOMER, GRAY.
- 4 HOUSING: POLYESTER, PBT, BLACK.  
PERIPHERAL SEAL: ELASTOMER, GRAY.



OBSOLETE	MATERIAL	PERIPHERAL SEAL	PART NUMBER
NO			1-206036-3
YES			206036-5
NO			206036-3

THIS DRAWING IS A CONTROLLED DOCUMENT.

DIMENSIONS: mm(INCHES)  
 TOLERANCES UNLESS OTHERWISE SPECIFIED:  
 0 PLC ± -  
 1 PLC ± -  
 2 PLC ± 0.13 [.005]  
 3 PLC ± -  
 4 PLC ± -  
 ANGLES ± -

D. GELTZ 07/27/93  
 R. STONE 7-22-93  
 A. FRANTUM 8-12-93

**STE** TE Connectivity  
 NAME: RECEPTACLE HOUSING, STD SEX, SHELL SIZE 17, CPC  
 APPLICATION SPEC: 108-10024

MATERIAL: - FINISH: -  
 WEIGHT: -  
 SIZE: A1 00779 C=206036  
 CUSTOMER DRAWING SCALE: 2:1 SHEET 3 OF 3 REV T

# Mouser Electronics

Authorized Distributor

Click to View Pricing, Inventory, Delivery & Lifecycle Information:

[TE Connectivity:](#)

[206036-4](#)