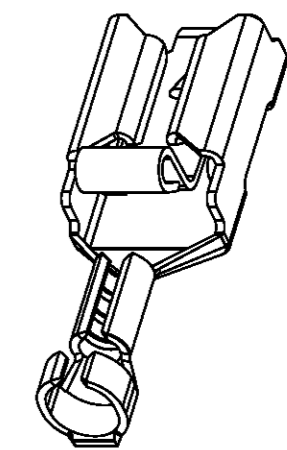
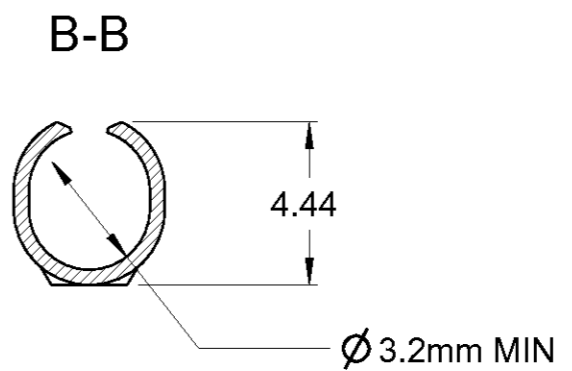
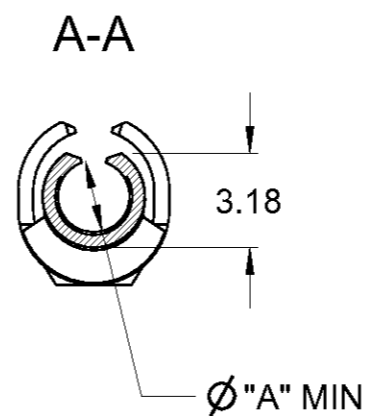
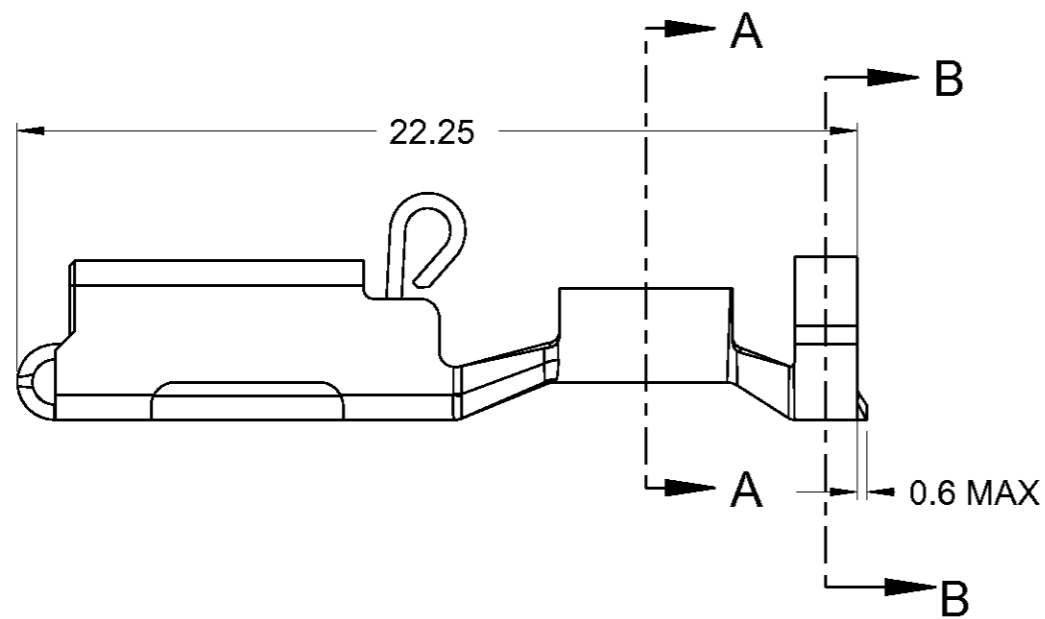


LOC	DIST	REVISIONS					
B	E	P	LTR	DESCRIPTION	DATE	DWN	APVD
			A	ECR-09-021480	29/09/09	MJG	JA
			B	ECR-10-006691	05/01/10	MJG	JA
			B1	ECR-10-022530	27MAY11	KK	HMR



NOTES

- 1. ALL OTHER DIMENSIONS FROM DWG 154718
- 2. WIRE SIZE: 0.7 - 2.0mm²
- 3. INSULATION RANGE: ϕ 2.4 - 3.2mm
- 4. RECOMMENDED HAND TOOL: 525651
- 5. CONTACT TO BE USED WITH A 0.8mm THICK TAB

\triangle PART TO CONFORM TO KTU 1177

OBSOLETE

ϕ "A" mm	FINISH	MATERIAL	PART NO
2.16	NONE	BRASS	341002-8 \triangle ₆
1.9	PRE-TIN	Ph Bz	341002-7
1.9	PRE-TIN	BRASS	341002-6
1.9	NONE	Ph Bz	341002-5
1.9	TIN	BRASS	341002-3
1.9	NONE	Ph Bz	341002-2
1.9	NONE	BRASS	341002-1

<small>THIS DRAWING IS A CONTROLLED DOCUMENT FOR TYCO ELECTRONICS CORPORATION. IT IS SUBJECT TO CHANGE AND THE CONTROLLING ENGINEERING ORGANIZATION SHOULD BE CONTACTED FOR THE LATEST REVISION.</small>		DWN 29SEP2009 M.GREENER CHK 29SEP2009 J.AMBROSE APVD 29SEP2009 J.AMBROSE			
DIMENSIONS: mm		TOLERANCES UNLESS OTHERWISE SPECIFIED: 0 PLC ±0.5 1 PLC ±0.2 2 PLC ±0.2 3 PLC ±0.1 4 PLC ± ANGLES ±2 FINISH -		NAME POSITIVE LOCK RECEPTACLE PRE-FORMED LOOSE PIECE	
MATERIAL SEE TABLE		PRODUCT SPEC 108-3017 APPLICATION SPEC 114-2153 WEIGHT -		SIZE A3	
		CUSTOMER DRAWING		CAGE CODE 00779	
		SCALE NTS		DRAWING NO C-341002	
		SHEET 1 OF 1		RESTRICTED TO -	
		REV B1			

Mouser Electronics

Authorized Distributor

Click to View Pricing, Inventory, Delivery & Lifecycle Information:

[TE Connectivity:](#)

[341002-6](#)