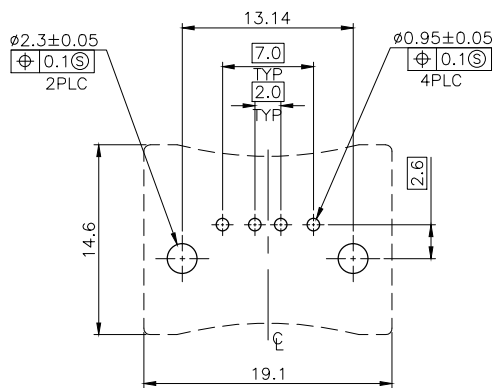
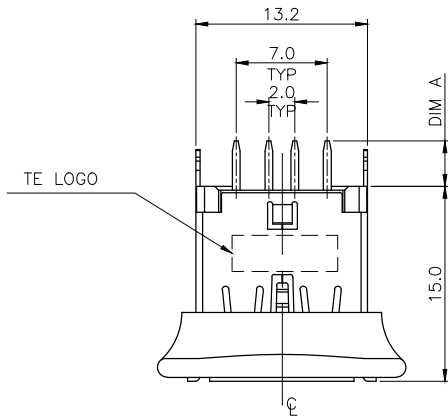


THIS DRAWING IS UNPUBLISHED. RELEASED FOR PUBLICATION
 © COPYRIGHT BY TYCO ELECTRONICS CORPORATION. ALL RIGHTS RESERVED.

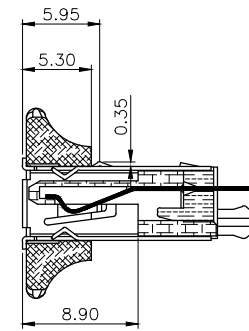
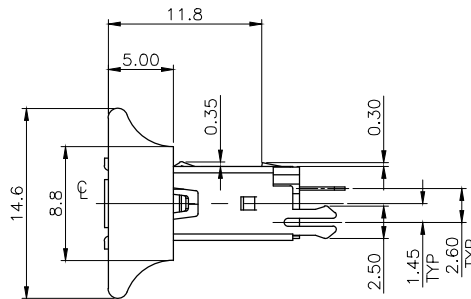
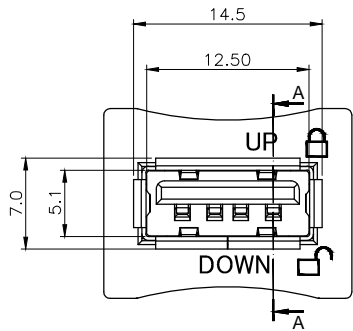
LOC		DIST		REVISIONS			DATE	DWN	APVD
DW		-		P	LTR	DESCRIPTION			
				A3		REVISED (ECR-14-005336)	21MAR14	SW	SC



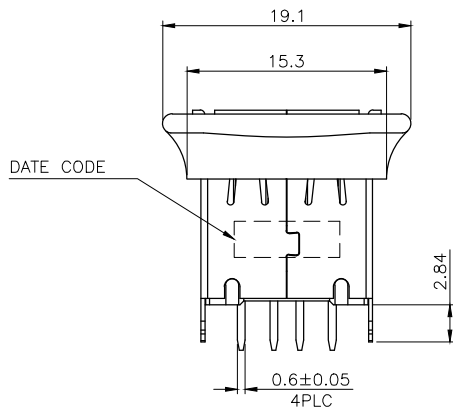
RECOMMENDED P.C.B LAYOUT
 TOLERANCE: ± 0.05
 (TOP VIEW)

NOTES:

- MATERIAL:
 HOUSING: PA9T WITH 30% GF, UL94V-0, COLOR: BLACK.
 LOCKING DEVICE: PA66 WITH 15% GF, UL94V-0,
 COLOR: BLUE (IBM COLOR WHEEL P/N: 49Y5681,
 PANTONE COLOR SIMILAR TO 2718U)
 CONTACTS: PHOSPHOR BRONZE, T=0.25mm.
 SHELL: BRASS, T=0.30mm.
- FINISH:
 CONTACTS: GOLD (SEE TABLE) PLATED ON CONTACT AREA,
 2.54um (100u") MIN. BRIGHT-TIN PLATING ON SOLDER TAILS,
 1.27um (50u") MIN. NICKEL UNDERPLATED ALL OVER.
 SHELL: 1.27um (50u") MIN. NICKEL PLATED.
- RECOMMENDED PCB THICKNESS: 1.6mm.
- WAVE SOLDER CAPABLE TO 265°C PER TE CONNECTIVITY TEST SPEC,
 109-202.CONDITION B.



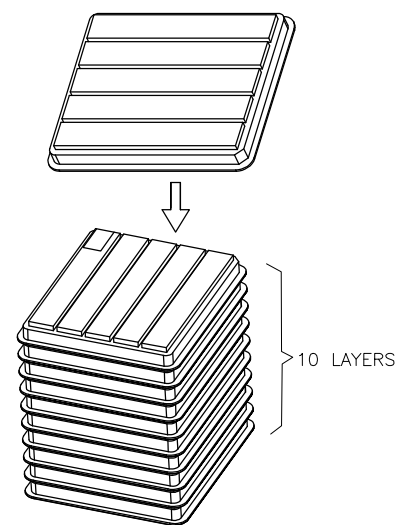
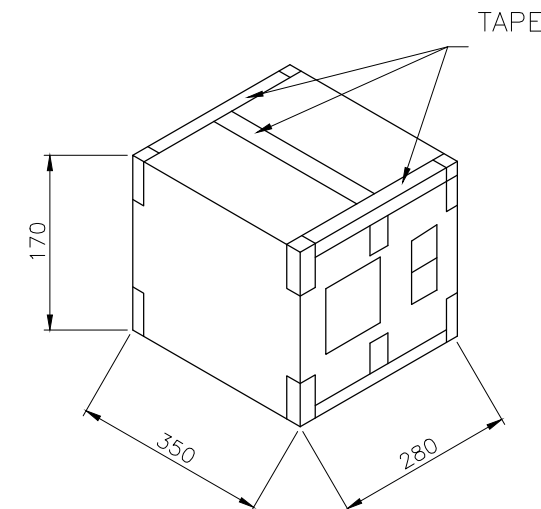
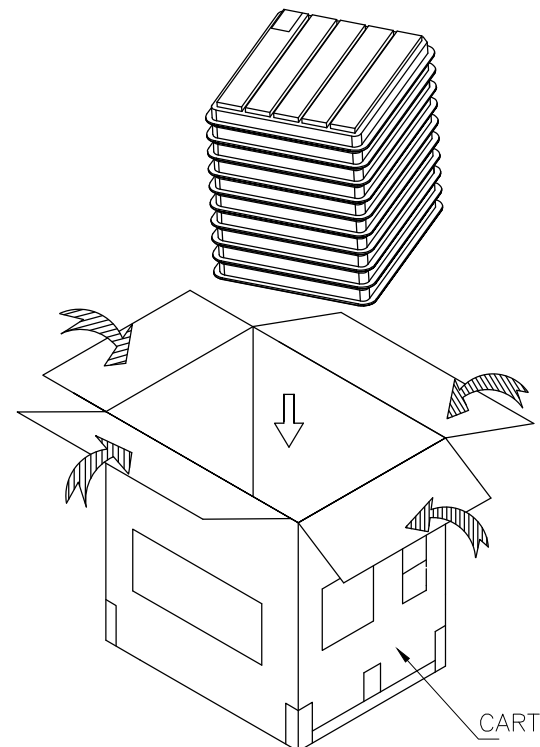
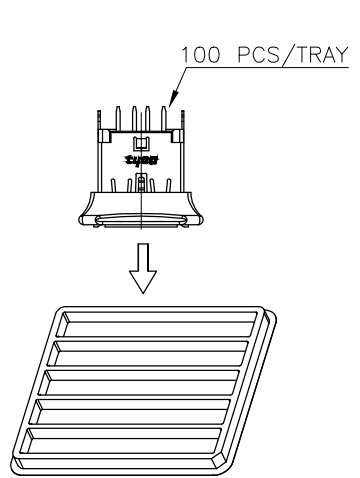
SECTION A-A





EOL	2.84	0.762um (30u")	1-1775690-2
EOL	2.84	G/F	1-1775690-1
	3.50	0.762um (30u")	1775690-2
EOL	3.50	G/F	1775690-1
	DIM A	MIN. GOLD	PART NUMBER

THIS DRAWING IS A CONTROLLED DOCUMENT.		DWN	H. HUANG	19JUL2007	TE Connectivity				
DIMENSIONS: MM		CHK	S. HOU	19JUL2007					NAME USB A TYPE, W/LOCKING VERTICAL, DIP
TOLERANCES UNLESS OTHERWISE SPECIFIED:		APVD	W.J. KE	19JUL2007	PRODUCT SPEC 108-57519 QUALIFICATION TEST REPORT 501-57772				
0 PLC ± - 1 PLC ± 0.30 2 PLC ± 0.25 3 PLC ± - 4 PLC ± - ANGLES ± 3°		MATERIAL							SIZE
SEE NOTE		FINISH			WEIGHT	A3 00779 C=1775690		-	
SEE NOTE		MATERIAL			CUSTOMER DRAWING		SCALE	SHEET 1 of 2	REV A3

LOC	DIST	REVISIONS					
DW	-	P	LTR	DESCRIPTION	DATE	DWN	APVD
				SEE SHEET 1.			



100	10	1000	3.9	2.9
PCS/ TRAY	TRAY/ CARTON	QUANTITY	G/W (KG)	N/W (KG)

THIS DRAWING IS A CONTROLLED DOCUMENT.		DWN H. HUANG 19JUL2007	 TE Connectivity USB A TYPE, W/LOCKING VERTICAL, DIP
DIMENSIONS: MM		CHK S. HOU 19JUL2007	
 TOLERANCES UNLESS OTHERWISE SPECIFIED: 0 PLC ± - 1 PLC ± - 2 PLC ± - 3 PLC ± - 4 PLC ± - ANGLES ± -		APVD W.J. KE 19JUL2007	
MATERIAL		PRODUCT SPEC -	
FINISH		APPLICATION SPEC -	NAME
-		WEIGHT -	SIZE A3
-		CUSTOMER DRAWING	CAGE CODE 00779
-		SCALE -	DRAWING NO C=1775690
-		SHEET 2 of 2	RESTRICTED TO -
-		REV A3	

Mouser Electronics

Authorized Distributor

Click to View Pricing, Inventory, Delivery & Lifecycle Information:

[TE Connectivity:](#)

[1775690-2](#)