

Horizontal Test Jack Insulated Miniature



SPECIFICATIONS

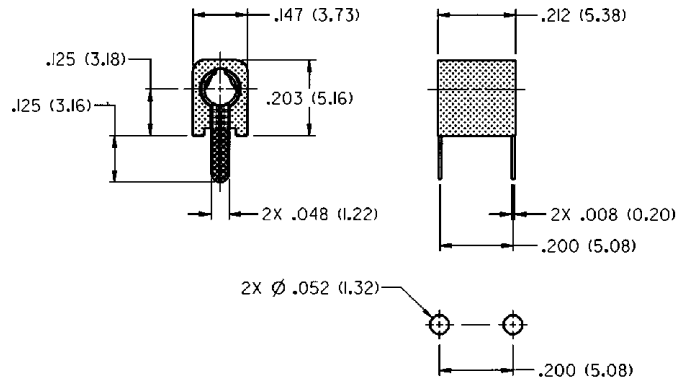
Contact: Copper aluminum alloy*
Finish: Silver
Body: Nylon 6/6 per ASTM D4066

RATINGS

Current: 5 amps
Breakdown Voltage: 2100 Vrms minimum
Contact Resistance: 0.010 ohms maximum
Adjacent Jack C: 1 pF maximum at 1 MHz



INCHES (MILLIMETERS)
 CUSTOMER DRAWINGS AVAILABLE UPON REQUEST



SILVER PLATING	
PART NO.	COLOR
105-1102-001	Red

For Standard Tip Plug: .080 (2.00) Diameter

FEATURES:

- Contact protected from flux and solder
- Probe access from both ends
- Nylon UL approved for self extinguishing
- * A new material development that, for this application, meets or exceeds beryllium copper.

MOUNTING HOLE LAYOUT

Mouser Electronics

Authorized Distributor

Click to View Pricing, Inventory, Delivery & Lifecycle Information:

[Cinch Connectivity Solutions:](#)

[105-1102-001](#)