

4

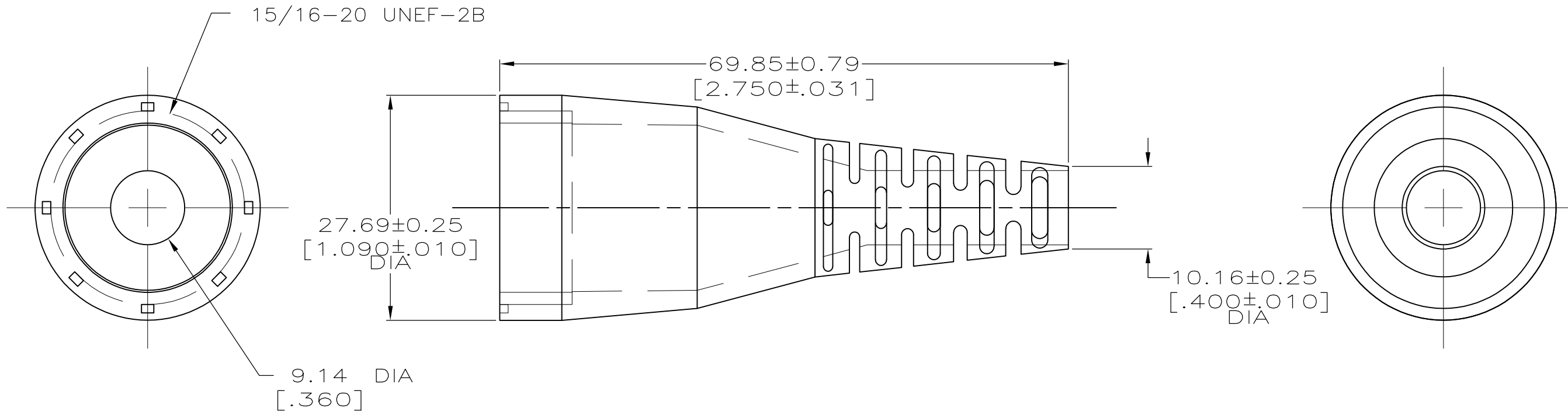
3

2

1


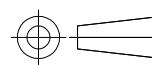
THIS DRAWING IS UNPUBLISHED. RELEASED FOR PUBLICATION - , - .
 © COPYRIGHT - By - ALL RIGHTS RESERVED.

MOD	LOC	DIST	REVISIONS			
P	LTR	DESCRIPTION	DATE	DWN	APVD	
4	BD	35	C1	REVISD PER ECO-11-005027	11MAR11	RK HMR



1. CABLE RANGE 5.08 [.200] – 6.35 [.250] WHEN USED WITH GRIPPER P/N 207387-1.
2. CABLE RANGE 6.35 [.250] – 8.89 [.350] WHEN USED WITH GRIPPER P/N 207387-2 OR 207387-4.

207241-1
PART NO

THIS DRAWING IS A CONTROLLED DOCUMENT.		DWN M.BINNER 07/29/94	 TE Connectivity NAME CABLE BOOT, FLEXIBLE, SIZE 17, CPC				
DIMENSIONS: mm [INCHES]		CHK R.STONE 8-8-94					
		APVD A.FRANTUM 8-9-94					
TOLERANCES UNLESS OTHERWISE SPECIFIED:		PRODUCT SPEC					
0 PLC ± - 1 PLC ± - 2 PLC ± 0.13 [.005] 3 PLC ± - 4 PLC ± - ANGLES ± -		APPLICATION SPEC	SIZE	CAGE CODE	DRAWING NO	RESTRICTED TO	
MATERIAL THERMOPLASTIC COLOR: BLACK		FINISH -	WEIGHT -	A3	00779	C-207241	-
CUSTOMER DRAWING			SCALE	2:1	SHEET	1 of 1	REV C1

Mouser Electronics

Authorized Distributor

Click to View Pricing, Inventory, Delivery & Lifecycle Information:

[TE Connectivity:](#)

[207241-1](#)