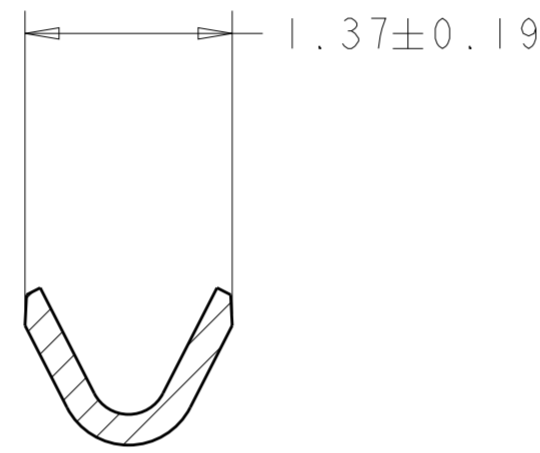
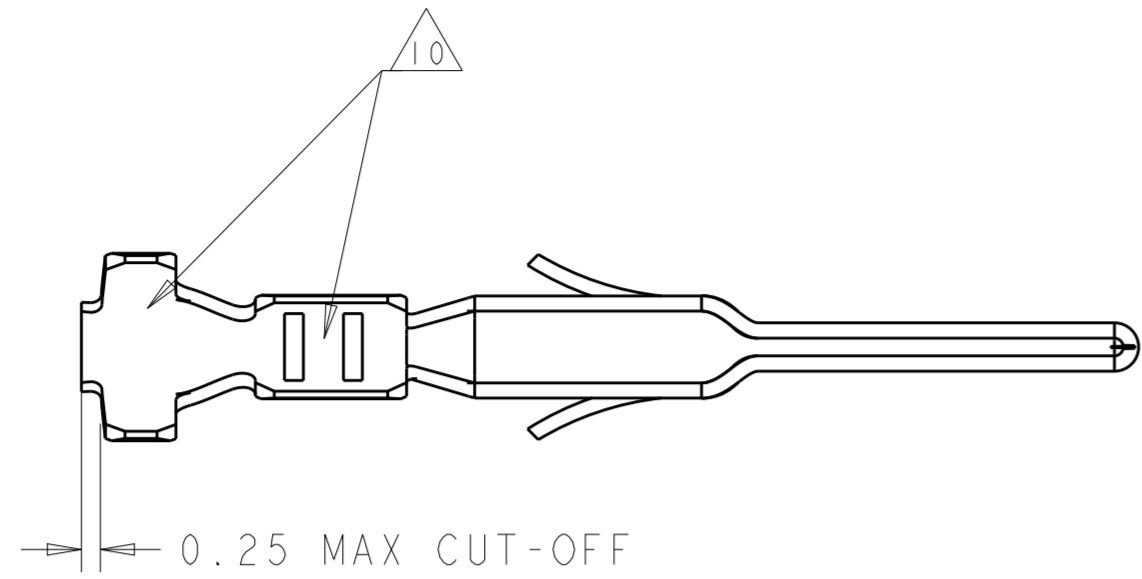
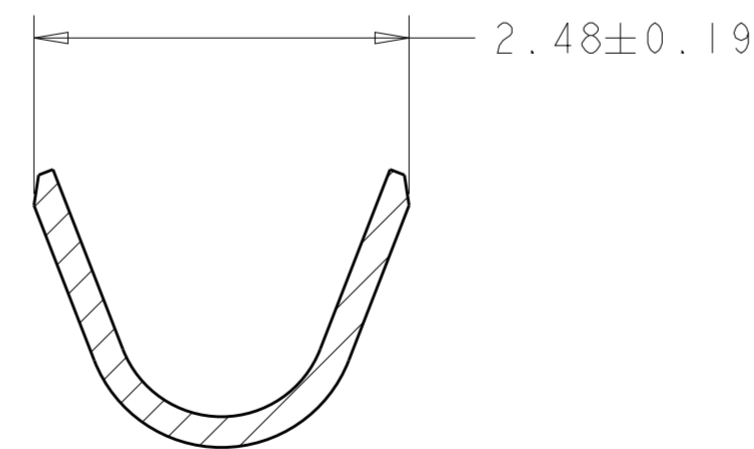
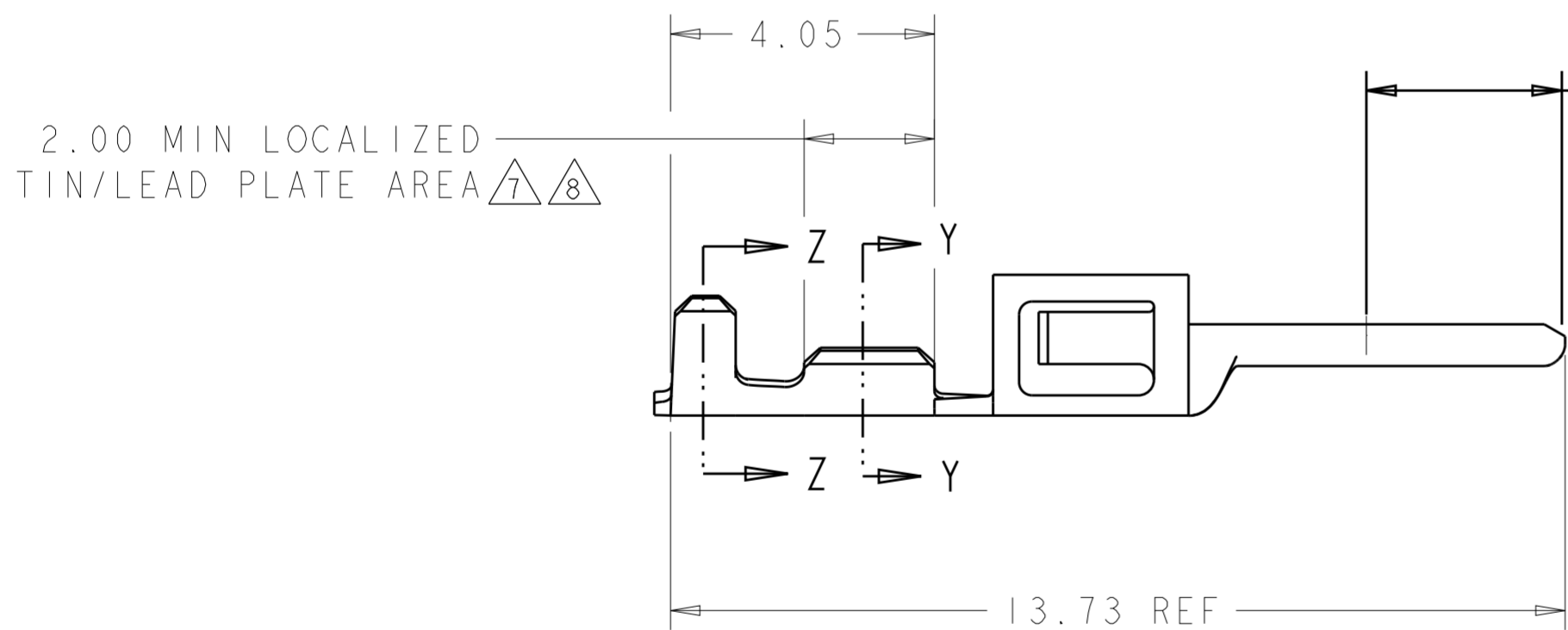


THIS DRAWING IS UNPUBLISHED. RELEASED FOR PUBLICATION 20
 © COPYRIGHT 20 BY - ALL RIGHTS RESERVED.

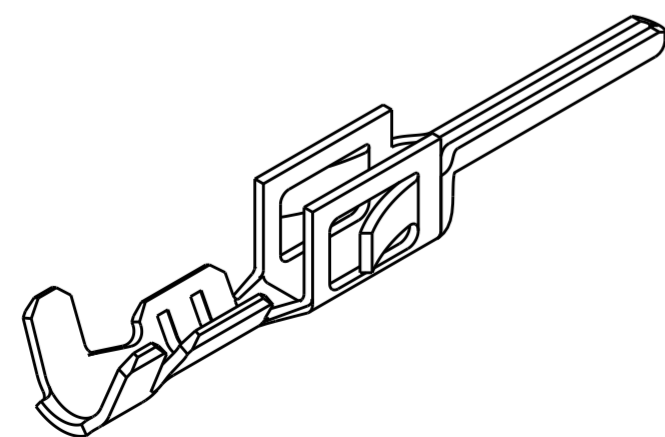
LOC	DIST	REVISIONS					
CM	00	P	LTR	DESCRIPTION	DATE	DWN	APVD
			B5	REVISED PER ECO-19-013973	16SEP2019	RS	WS



SECTION Y-Y
SCALE 20:1



SECTION Z-Z
SCALE 20:1



- ① 2.5 μm MIN BRIGHT TIN/LEAD ENTIRE STOCK OVER 1.27 μm MIN NICKEL ENTIRE STOCK.
- ② 0.38 μm MIN GOLD IN LOCALIZED GOLD PLATE AREA, 2.5 μm MIN BRIGHT TIN/LEAD IN LOCALIZED TIN/LEAD PLATE AREA, BOTH OVER 1.27 μm MIN NICKEL ON ENTIRE STOCK.
- ③ 0.76 μm MIN GOLD IN LOCALIZED GOLD PLATE AREA, 2.5 μm MIN BRIGHT TIN/LEAD IN LOCALIZED TIN/LEAD PLATE AREA, BOTH OVER 1.27 μm MIN NICKEL ON ENTIRE STOCK.
- 4. WIRE RANGE 26-30 AWG.
- 5. INSULATION RANGE 0.89-1.52
- ⑥ 2.5 μm MIN BRIGHT TIN ENTIRE STOCK OVER 1.27 μm MIN NICKEL ENTIRE STOCK.
- ⑦ 0.38 μm MIN GOLD IN LOCALIZED GOLD PLATE AREA, 2.5 μm MIN BRIGHT TIN IN LOCALIZED TIN PLATE AREA, BOTH OVER 1.27 μm MIN NICKEL ON ENTIRE STOCK.
- ⑧ 0.76 μm MIN GOLD IN LOCALIZED GOLD PLATE AREA, 2.5 μm MIN BRIGHT TIN IN LOCALIZED TIN PLATE AREA, BOTH OVER 1.27 μm MIN NICKEL ON ENTIRE STOCK.
- ⑨ NOTE DELETED.
- ⑩ TIN PLATING THICKNESS INSIDE WIRE AND INSULATION BARRELS TO BE 1.27 μm MIN.

REMARKS	FINISH	PART NUMBER
	⑧	1-794613-2
	⑦	1-794613-1
	⑥	1-794613-0
SUPERSEDED BY 1-794613-2	③	794613-3
SUPERSEDED BY 1-794613-1	②	794613-2
SUPERSEDED BY 1-794613-0	①	794613-1

THIS DRAWING IS A CONTROLLED DOCUMENT.		DWN W J RUDY 29AUG2000	TE Connectivity	
DIMENSIONS: mm		CHK W DAVIS 29AUG2000		
TOLERANCES UNLESS OTHERWISE SPECIFIED:		APVD W DAVIS 29AUG2000	NAME PLUG CONTACT, CRIMP SNAP, 26-30 AWG, LOOSE PIECE, MICRO MATE-N-LOK(TM)	
0 PLC ±	1 PLC ±	PRODUCT SPEC 108-1836	SIZE CAGE CODE DRAWING NO RESTRICTED TO	
2 PLC ±0.13	3 PLC ±	APPLICATION SPEC 114-13000	A200779 C-794613	
4 PLC ±	ANGLES ±	WEIGHT -	SCALE 10:1 SHEET 1 OF 1 REV B5	
FINISH		MATERIAL 0.20 THK BRASS	CUSTOMER DRAWING	