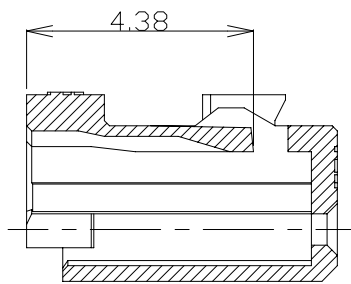
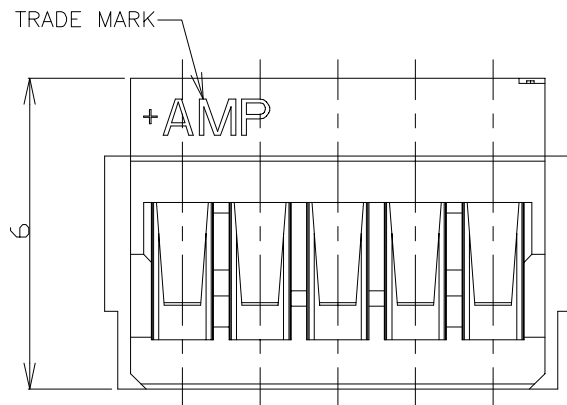
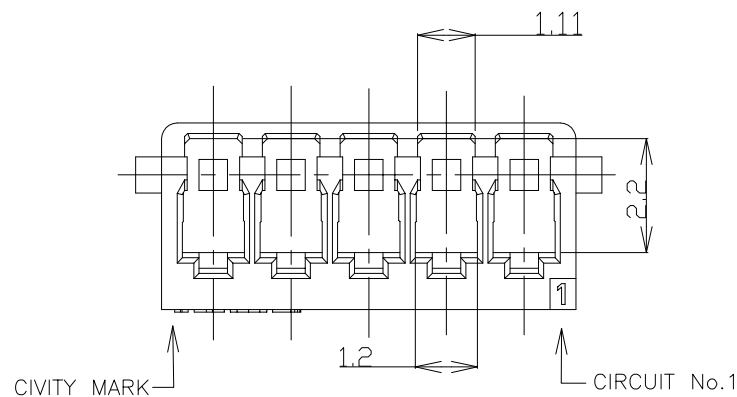
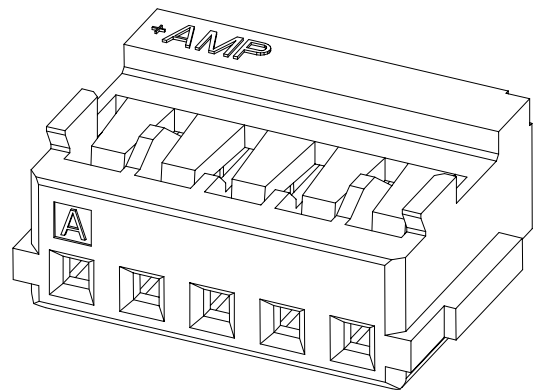
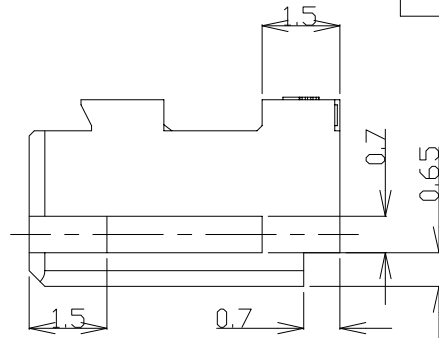
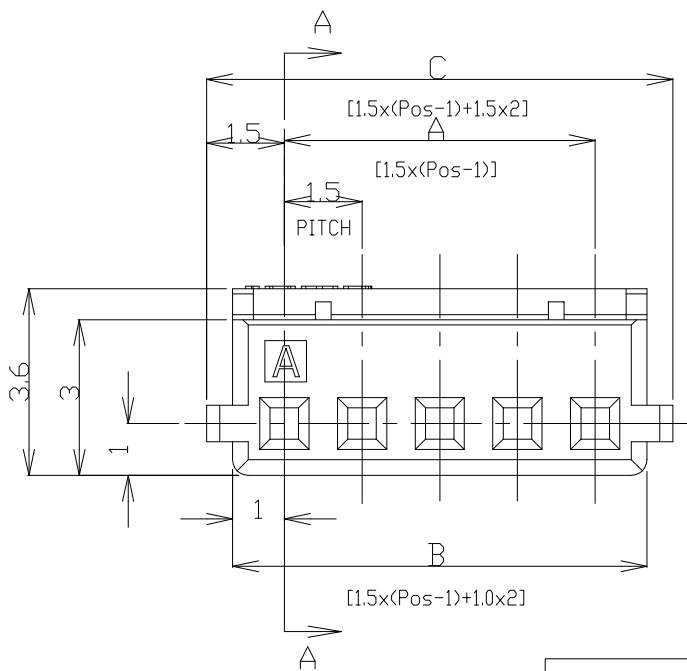


THIS DRAWING IS UNPUBLISHED. RELEASED FOR PUBLICATION  
 © COPYRIGHT - By - ALL RIGHTS RESERVED.

LOC	DIST	REVISIONS					
ES	00	P	LTR	DESCRIPTION	DATE	DWN	APVD
		D		REVISED ECR-16-005069	07APR2016	T.Q	W.H



SECTION A-A



0.30	31.5	30.5	28.5	20	8-353908-0	2-353908-0
0.29	30.0	29.0	27.0	19	7-353908-9	1-353908-9
0.27	28.5	27.5	25.5	18	7-353908-8	1-353908-8
0.26	27.0	26.0	24.0	17	7-353908-7	1-353908-7
0.24	25.5	24.5	22.5	16	7-353908-6	1-353908-6
0.23	24.0	23.0	21.0	15	7-353908-5	1-353908-5
0.21	22.5	21.5	19.5	14	7-353908-4	1-353908-4
0.20	21.0	20.0	18.0	13	7-353908-3	1-353908-3
0.19	19.5	18.5	16.5	12	7-353908-2	1-353908-2
0.17	18.0	17.0	15.0	11	7-353908-1	1-353908-1
0.16	16.5	15.5	13.5	10	7-353908-0	1-353908-0
0.14	15.0	14.0	12.0	9	6-353908-9	353908-9
0.13	13.5	12.5	10.5	8	6-353908-8	353908-8
0.13	12.0	11.0	9.0	7	6-353908-7	353908-7
0.10	10.5	9.5	7.5	6	6-353908-6	353908-6
0.09	9.0	8.0	6.0	5	6-353908-5	353908-5
0.07	7.5	6.5	4.5	4	6-353908-4	353908-4
0.06	6.0	5.0	3.0	3	6-353908-3	353908-3
0.04	4.5	3.5	1.5	2	6-353908-2	353908-2
WEIGHT (g)	C	B	A	Pos	BLUE	WHITE
					P/N	

NOTES:  
 1. APPLICABLE WIRE SIZE: AWG#24~#30(0.22mm<sup>2</sup>~0.05mm<sup>2</sup>).  
 INSULATION DIAMETER: 0.7mm~1.03mm.  
 2. USE WITH RECEPTACLE CONTACT P/N  
 AWG#24~#28: 353907-1, 353918-1(L/P)

GENERAL TOLERANCE

10 ≥	±0.2
30 ≥ > 10	±0.25
100 ≥ > 30	±0.3
ANGLES: ±3°	

THIS DRAWING IS A CONTROLLED DOCUMENT.

DIMENSIONS:	TOLERANCES UNLESS OTHERWISE SPECIFIED:
mm	
	0 PLC ±-
	1 PLC ±-
	2 PLC ±-
	3 PLC ±-
	4 PLC ±-
	ANGLES ±-
MATERIAL	FINISH
66NYLON	
UL94 V-0	

WIRE RANGE		INSULATION DIA	
DWN H.HOSHINO 26.APR.'97		CHK J.TANIGAWA 26.APR.'97	
APVD S.KUBONOHI 10.MAR.'99		NAME	
PRODUCT SPEC		AMP MINI COMMON TERMINATED (CT)	
APPLICATION SPEC		CONNECTOR 1.5mm PITCH	
108-60025		HOUSING, CRIMP TYPE	
SIZE	CAGE CODE	DRAWING NO	RESTRICTED TO
A3	00779	C=353908	
WEIGHT		SCALE	SHEET
CUSTOMER DRAWING		NON	1 of 2
		REV	D

4

3

2

1

THIS DRAWING IS UNPUBLISHED.

RELEASED FOR PUBLICATION

---

LOC

DIST

REVISIONS

© COPYRIGHT - By -

ALL RIGHTS RESERVED.

ES

00

P

LTR

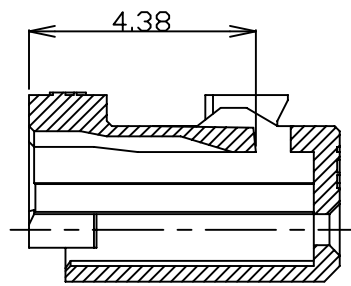
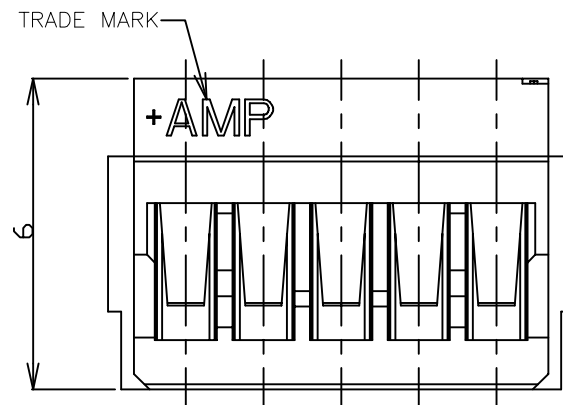
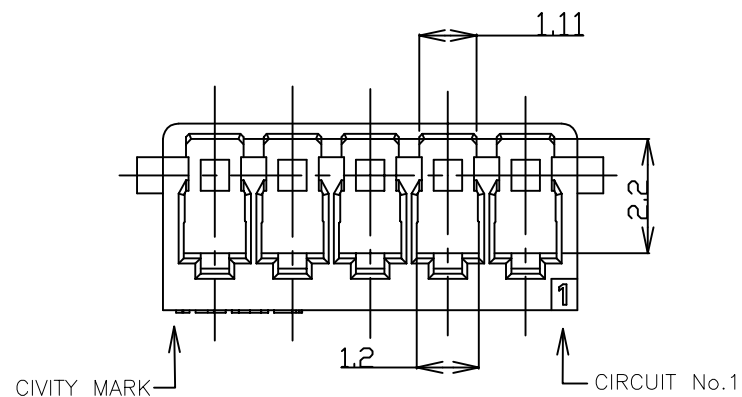
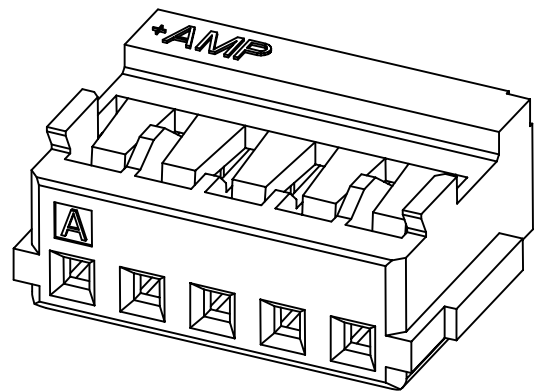
DESCRIPTION

DATE

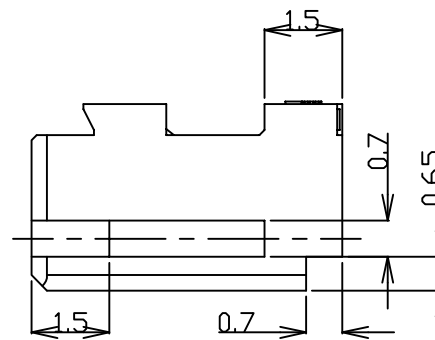
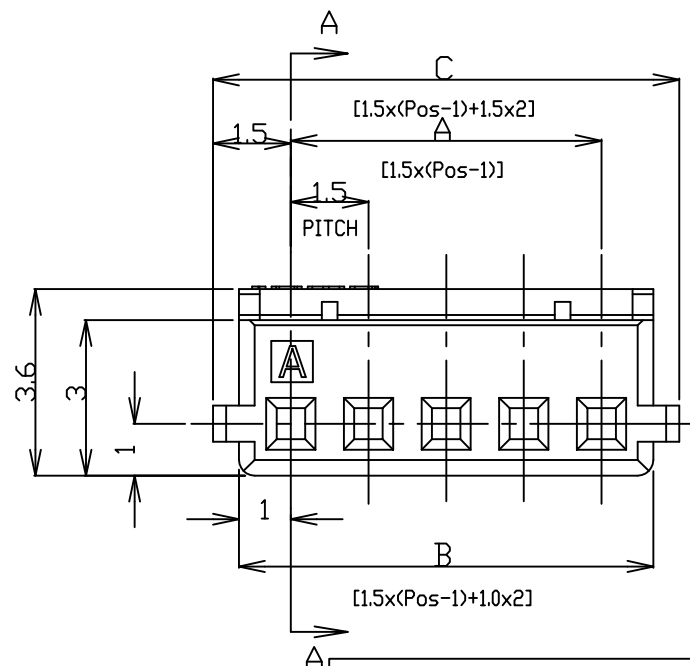
DWN

APVD

SEE SHEET 1



SECTION A-A



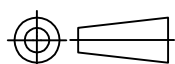
0.30	31.5	30.5	28.5	20	4-353908-0
0.29	30.0	29.0	27.0	19	3-353908-9
0.27	28.5	27.5	25.5	18	3-353908-8
0.26	27.0	26.0	24.0	17	3-353908-7
0.24	25.5	24.5	22.5	16	3-353908-6
0.23	24.0	23.0	21.0	15	3-353908-5
0.21	22.5	21.5	19.5	14	3-353908-4
0.20	21.0	20.0	18.0	13	3-353908-3
0.19	19.5	18.5	16.5	12	3-353908-2
0.17	18.0	17.0	15.0	11	3-353908-1
0.16	16.5	15.5	13.5	10	3-353908-0
0.14	15.0	14.0	12.0	9	2-353908-9
0.13	13.5	12.5	10.5	8	2-353908-8
0.13	12.0	11.0	9.0	7	2-353908-7
0.10	10.5	9.5	7.5	6	2-353908-6
0.09	9.0	8.0	6.0	5	2-353908-5
0.07	7.5	6.5	4.5	4	2-353908-4
0.06	6.0	5.0	3.0	3	2-353908-3
0.04	4.5	3.5	1.5	2	2-353908-2
WEIGHT (g)	C	B	A	Pos	WHITE
	DIMENSIONS				P/N

NOTES:

- 1. APPLICABLE WIRE SIZE: AWG#24~#30(0.22mm<sup>2</sup>~0.05mm<sup>2</sup>).  
INSULATION DIAMETER: 0.7mm~1.03mm.
- 2. USE WITH RECEPTACLE CONTACT P/N  
AWG#24~#28: 353907-1, 353918-1(L/P)
- 3. COMPLY WITH GLOW WIRE REQUIREMENTS FOR PARTS OF  
NON-METALLIC MATERIAL SUPPORTING A CURRENT-CARRYING  
CONNECTION DETAILED IN IEC 60335-1, SECTION 30(GWT).

THIS DRAWING IS A CONTROLLED DOCUMENT.

DIMENSIONS: mm



MATERIAL  
6 NYLON  
UL94 V-2

TOLERANCES UNLESS OTHERWISE SPECIFIED:

0 PLC	±
1 PLC	±
2 PLC	±
3 PLC	±
4 PLC	±
ANGLES	±
FINISH	-

DWN H.HOSHINO 26.APR.'97

CHK J.TANIGAWA 26.APR.'97

APVD S.KUBONOHI 10.MAR.'99

PRODUCT SPEC  
108-60025

APPLICATION SPEC  
114-5245

WEIGHT

CUSTOMER DRAWING



AMP MINI COMMON TERMINATED (CT)  
CONNECTOR 1.5mm PITCH  
HOUSING, CRIMP TYPE

NAME	SIZE	CAGE CODE	DRAWING NO	RESTRICTED TO
	A3	00779	C=353908	

SCALE NON SHEET 2 of 2 REV D

# Mouser Electronics

Authorized Distributor

Click to View Pricing, Inventory, Delivery & Lifecycle Information:

[TE Connectivity:](#)

[353908-8](#)