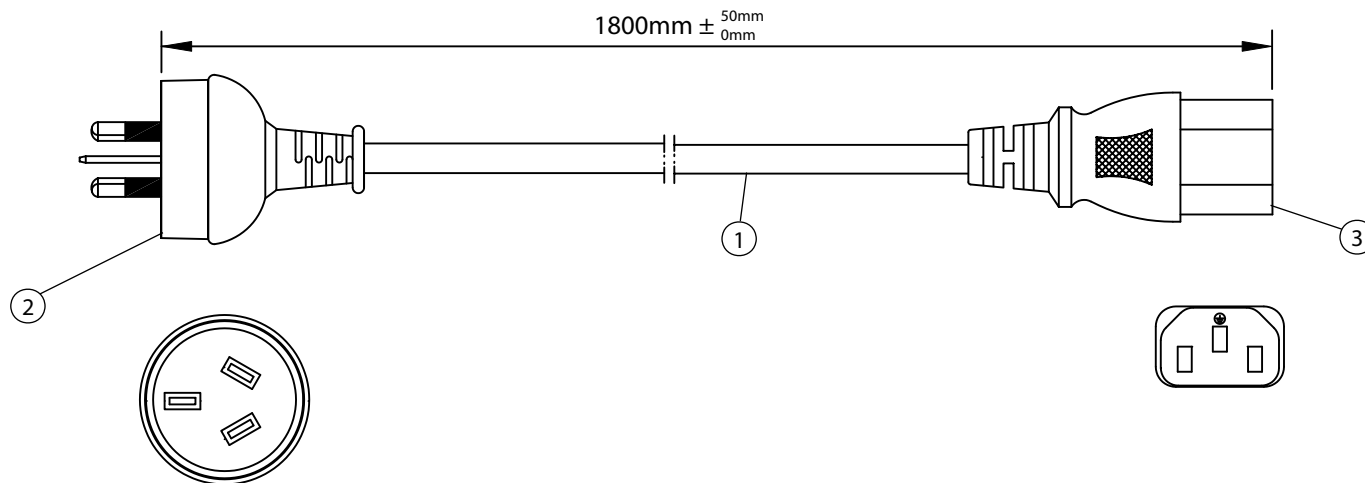


THESE DRAWINGS ARE THE PROPERTY OF QUALTEK ELECTRONICS AND NOT TO BE REPRODUCED FOR OR COMMUNICATED TO A THIRD PARTY WITHOUT THE EXPRESS WRITTEN PERMISSION OF AN OFFICER OF QUALTEK ELECTRONICS.

REVISION			
REV.	DESCRIPTION	DATE	APPROVED
B	Updated Notes, Graphics, and Added Length Tol	08-17-15	LY



**CONTROLLED**

NOTES:

1. CORDAGE: H05VV-F, 3 x 1.00mm<sup>2</sup>, UNSHIELDED, CEE COLOR CODE, TEMP. RATING: 70°C, RATING: 250V 10A, JACKET COLOR: BLACK
2. PLUG: AS 3112/AUSTRALIAN
3. CONNECTOR: IEC 60320 C13
4. APPROVALS: SAA
5. ROHS COMPLIANT

Dim range (mm)	Tolerance +/- (mm)	Qualtek Electronics Corp. PPC DIVISION		
0-1	0.15	Part Number:	374009-01	<span style="border: 1px solid green; padding: 2px;">RoHS Compliant</span>
1-6	0.20	Description:	POWER CORD	
6-18	0.30		UNIT: mm	REV. B
18-50	0.50	Drawn / Date	Checked / Date	Approved / Date
50-120	0.70	R. Nuti 09-04-07	09-04-07	JJH / 09-04-07
120-250	0.90			
250-500	1.20			

# Mouser Electronics

Authorized Distributor

Click to View Pricing, Inventory, Delivery & Lifecycle Information:

[Qualtek:](#)

[374009-01](#)