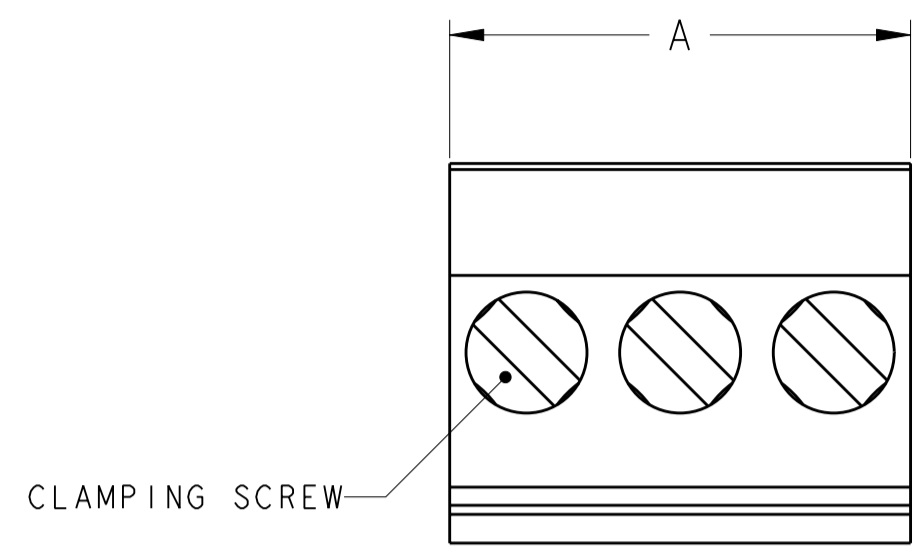
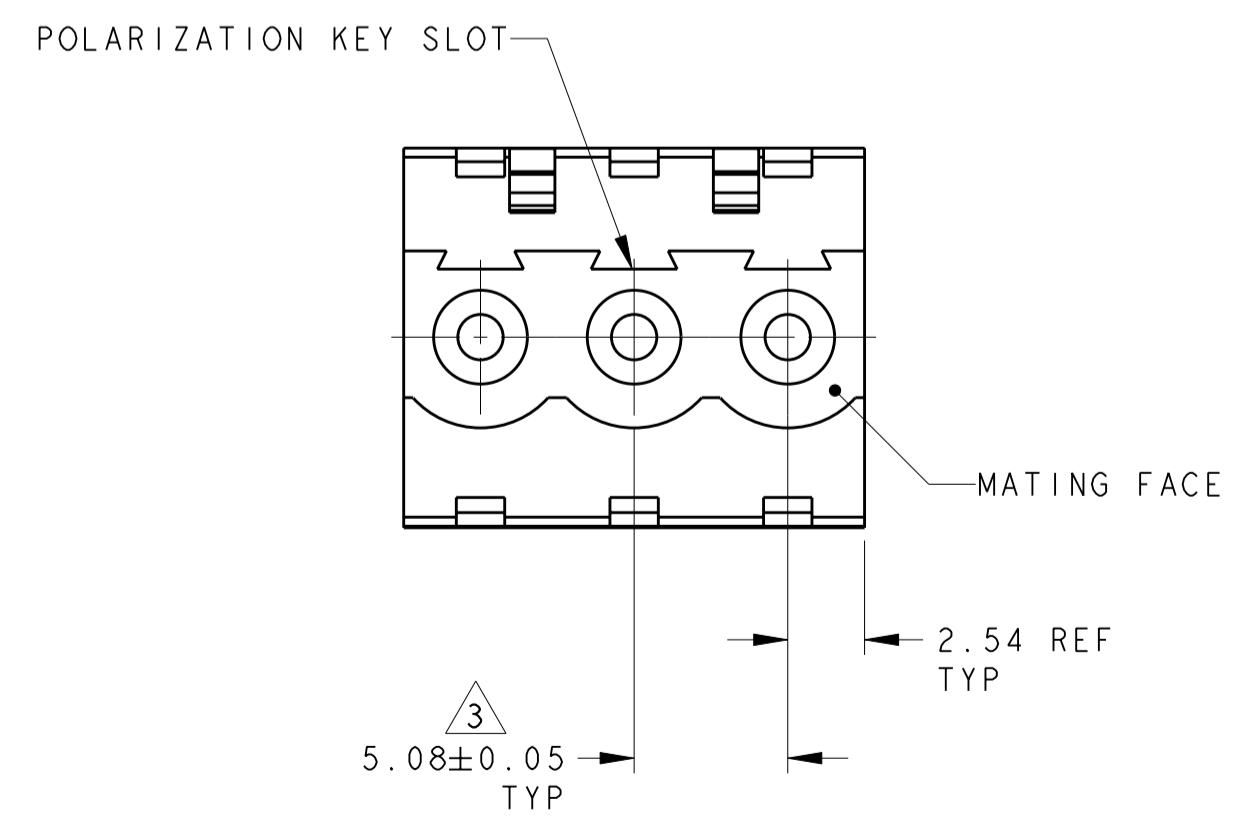
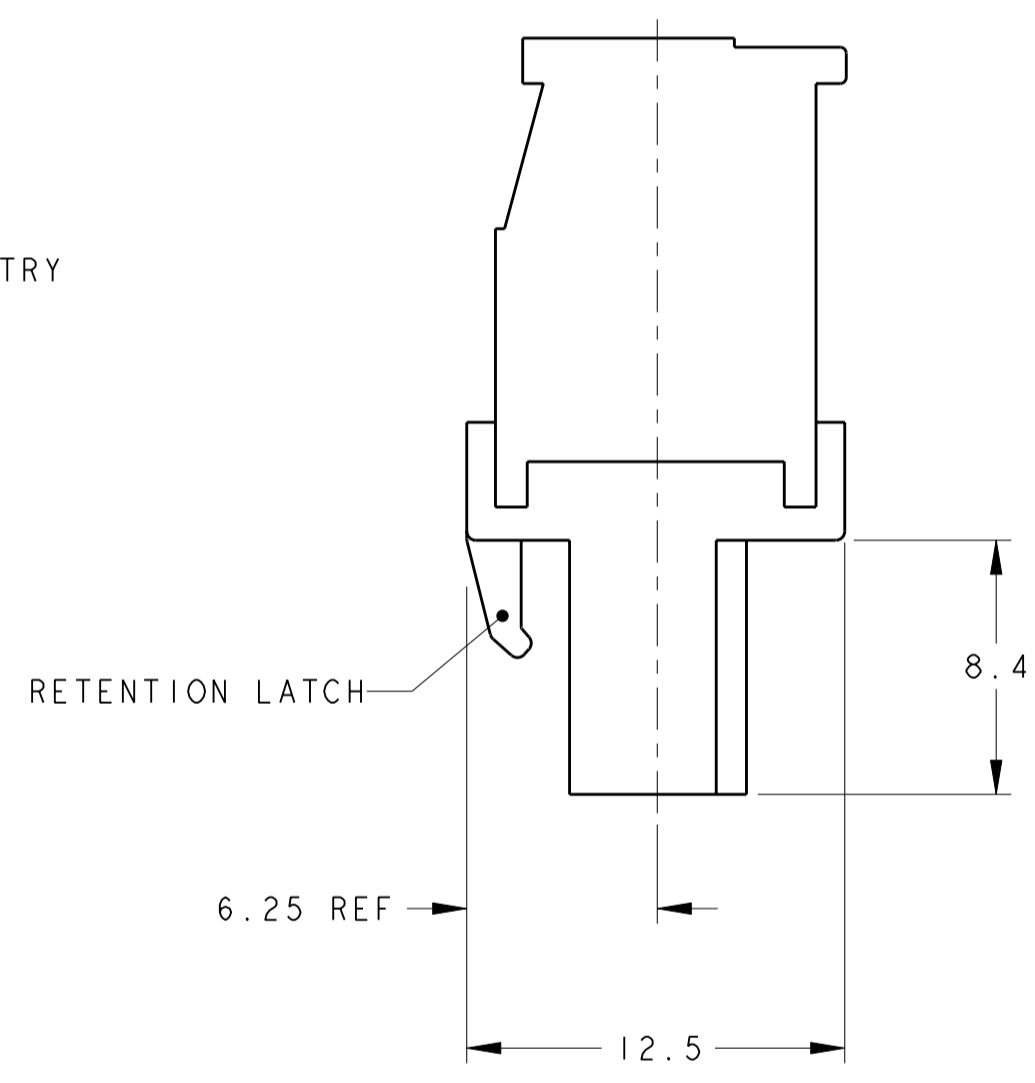
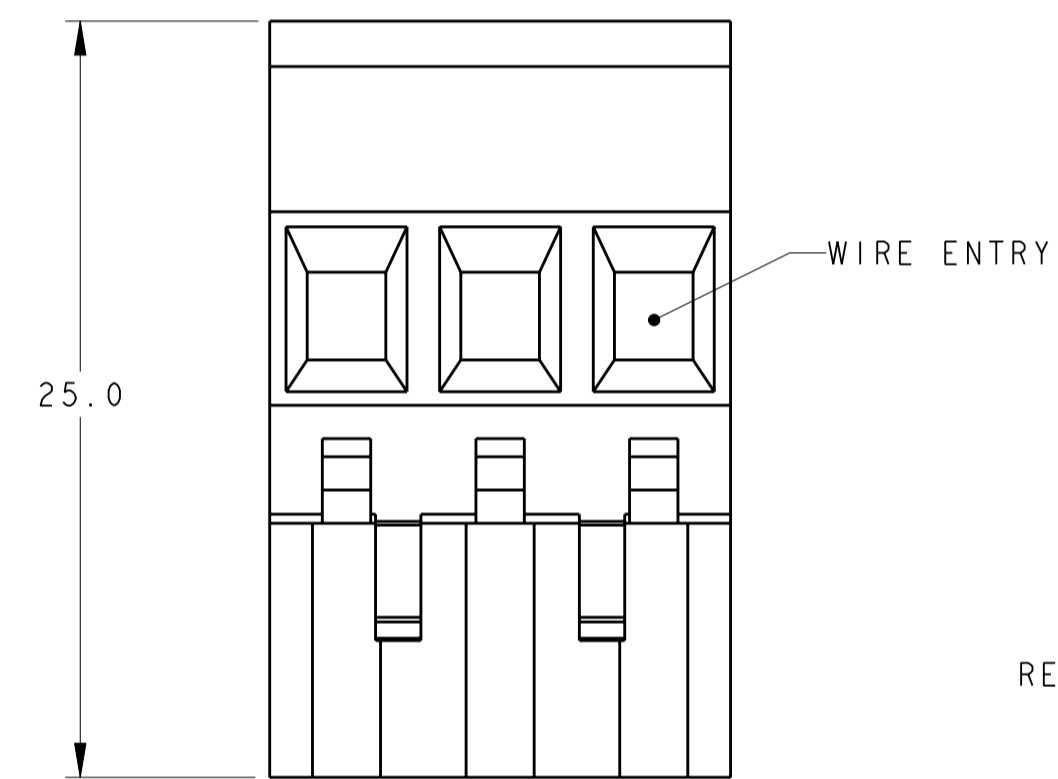


THIS DRAWING IS UNPUBLISHED. RELEASED FOR PUBLICATION 20
 © COPYRIGHT 20 BY TYCO ELECTRONICS CORPORATION. ALL RIGHTS RESERVED.

LOC		DIST		REVISIONS			
P	LTR	DESCRIPTION	DATE	DWN	APVD		
	A	RELEASED	11APR2007	SW	CR		



- 1 MATERIALS AND FINISH
 HOUSING: PA 6-6, UL 94-V0, COLOR: GRAY.
 CLAMP: BRASS, NICKEL PLATED.
 CONTACT SPRING : PHOSPHOR BRONZE, TIN PLATED.
 CLAMPING SCREW: M3, BRASS, NICKEL PLATED.
- 2. WIRE SIZE RANGE: 12 - 30 AWG
- 3 NOT CUMULATIVE TOLERANCE.
- 4 CHARACTERS MARKED IN PERMANENT WHITE COLOR.



127.00	25	2-1546122-5
121.92	24	2-1546122-4
116.84	23	2-1546122-3
111.76	22	2-1546122-2
106.68	21	2-1546122-1
101.60	20	2-1546122-0
96.52	19	1-1546122-9
91.44	18	1-1546122-8
86.36	17	1-1546122-7
81.28	16	1-1546122-6
76.20	15	1-1546122-5
71.12	14	1-1546122-4
66.04	13	1-1546122-3
60.96	12	1-1546122-2
55.88	11	1-1546122-1
50.80	10	1-1546122-0
45.72	9	1546122-9
40.64	8	1546122-8
35.56	7	1546122-7
30.48	6	1546122-6
24.40	5	1546122-5
20.32	4	1546122-4
15.24	3	1546122-3
10.16	2	1546122-2
A	NO OF POSN	PART NUMBER

THIS DRAWING IS A CONTROLLED DOCUMENT FOR TYCO ELECTRONICS CORPORATION. IT IS SUBJECT TO CHANGE AND THE CONTROLLING ENGINEERING ORGANIZATION SHOULD BE CONTACTED FOR THE LATEST REVISION.		DWN S. WELDON 11APR2007	BUCHANAN Tyco Electronics Harrisburg, PA 17105-3608
DIMENSIONS: mm		CHK C. RICHARD 11APR2007	
TOLERANCES UNLESS OTHERWISE SPECIFIED: 0 PLC ±.3 1 PLC ±.25 2 PLC ±.25 3 PLC ±. 4 PLC ±. ANGLES ±2 FINISH		APVD C. RICHARD 11APR2007	NAME TERMINAL BLOCK, VERTICAL PLUG, STACKING, RIGHT HAND, 5.08mm PITCH
MATERIAL		PRODUCT SPEC -	SIZE A2
		APPLICATION SPEC -	CAGE CODE 00779
		WEIGHT -	DRAWING NO 1546122
CUSTOMER DRAWING		RESTRICTED TO -	SCALE 4:1
			SHEET 1 OF 1 REV A

Mouser Electronics

Authorized Distributor

Click to View Pricing, Inventory, Delivery & Lifecycle Information:

[TE Connectivity:](#)

[1-1546122-1](#)