

# Enpirion EP53x7xQI DC/DC Converter Module Evaluation Board

## Introduction

Thank you for choosing Altera Enpirion power products!

This application note describes how to test the following EP53x7xQI converters using the Altera Enpirion 3x3 Module EVAL BOARD shown in Fig. 1: EP5367LQI, EP5367HQI, EP5387LQI, EP5387HQI, EP53A7LQI, and EP53A7HQI. In addition to this document you will also need the device datasheet.

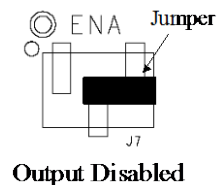
The EP53x7xQI converters are part of a new class of DC/DC converter products, a complete power system on silicon:

- These devices are complete modules including magnetics, and require only ceramic input and output capacitors.
- The evaluation board is designed to offer a wide range of engineering evaluation capabilities. This includes the base configuration of an 0603 input capacitor and an 0805 output capacitor.
- Pads are available to add up to one additional input capacitor and up to two additional output capacitors to allow for evaluation of performance over a wide range of input/output capacitor combinations.
- Pads are available to populate an external divider if desired.
- Easy jumpers are provided for the following signals:
  - Adaptive-biased light load mode (LLM)
  - Enable
  - VS0-VS3 output voltage select
- Numerous test points are provided as well as clip leads for input and output connections
- The board comes with input decoupling, and input reverse polarity protection to safeguard the device from common setup mishaps.

## Quick Start Guide

STEP 1: Set the “ENABLE” jumper to the Disable Position.

**CAUTION:** the signal pins LLM, ENA, VS0, VS1, VS2, and VS3 must be connected to a logic “high”, jumper to the left, or a logic “low”, jumper to the right. If left floating the state is indeterminate.

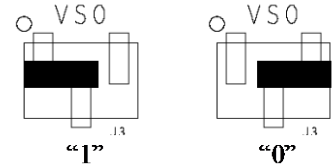


STEP 2: Connect a power supply to the input test points, TP8 (+) and TP5 (-) as indicated in Figure 1. The same test points can also be used to measure the input voltage.

**CAUTION:** be mindful of the polarity and the voltage magnitude. If  $V_{IN}$  is greater than 6V, the board may get damaged. If the input voltage polarity is wrong, diode D1 will conduct, and draw excessive input current.

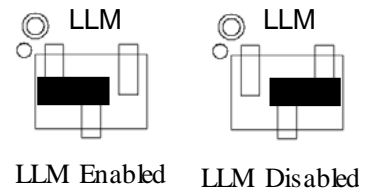
STEP 3: Set the output voltage select pins for the desired output voltage. Refer to Tables 1 and 2 to determine the setting.

**CAUTION:** the external resistor divider is not populated in the standard board configuration. Choosing the “EXT” option for the EP53x7LQI without the external resistors R1 and R2 will result in unpredictable behavior.



STEP 4: Connect the load to the output connectors TP7 (+) and TP6 (-), as indicated in Figure 1. The same test points are also used to measure the DC output voltage.

STEP 5: Connect the LLM jumper as needed. A voltage greater than 1.4V will enable LLM, and less than 0.4V will disable it.



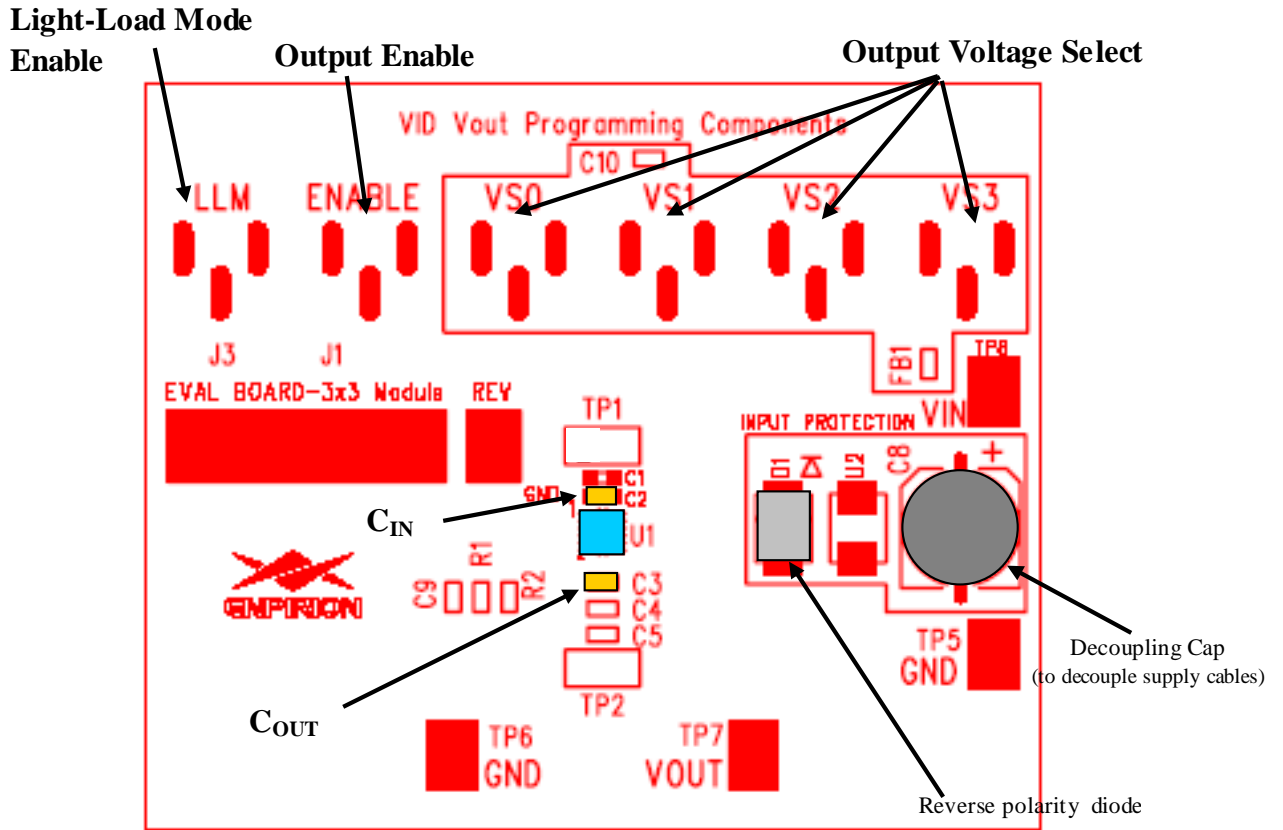


Figure 1. Evaluation Board Layout.

STEP 6: Move the ENABLE jumper to the enabled position, and power up the board. The EP53x7xQI should now be operational.

## Output Voltage Select

**Table 1. EP53x7LQI Output Voltage Select Truth Table**

VS3	VS2	VS1	VS0	VOUT
0	0	0	0	1.50
0	0	0	1	1.45
0	0	1	0	1.40
0	0	1	1	1.35
0	1	0	0	1.30
0	1	0	1	1.25
0	1	1	0	1.20
0	1	1	1	1.15
1	0	0	0	1.10
1	0	0	1	1.05
1	0	1	0	1.00
1	0	1	1	0.95
1	1	0	0	0.90
1	1	0	1	0.85
1	1	1	0	0.80
1	1	1	1	EXT

**Table 2. EP53x7HQI Output Voltage Select Truth Table**

VS3	VS2	VS1	VS0	VOUT
0	0	0	0	3.3
0	0	0	1	3.2
0	0	1	0	3.1
0	0	1	1	3.0
0	1	0	0	2.9
0	1	0	1	2.8
0	1	1	0	2.7
0	1	1	1	2.6
1	0	0	0	2.5
1	0	0	1	2.4
1	0	1	0	2.3
1	0	1	1	2.2
1	1	0	0	2.1
1	1	0	1	2.0
1	1	1	0	1.9
1	1	1	1	1.8

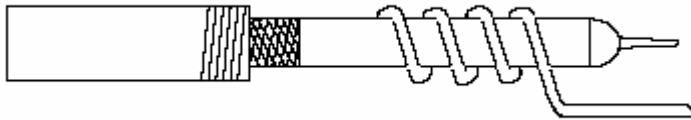
The EP53x7xQI utilizes a 4 pin output voltage select scheme. The output voltage is programmed by setting the VSx jumpers to either a logic “1” or a logic “0” as described in the Quick Start section

Tables 1 and 2 show the truth table for V<sub>OUT</sub> selection. There are fifteen preset output voltage levels for the EP53x7LQI, and sixteen preset levels for the EP53x7HQI.

## Test Recommendations

To guarantee measurement accuracy, the following precautions should be observed:

1. Make all input and output voltage measurements at the board using the test points provided. This will eliminate voltage drop across the line and load cables that can produce false readings.
2. Measure input and output current with series ammeters or accurate shunt resistors. This is especially important when measuring efficiency.
3. Use a balanced impedance probe tip as shown in Figure 2, and through-hole test point pair TP2 to measure the output voltage ripple to avoid noise coupling into the probe ground lead.

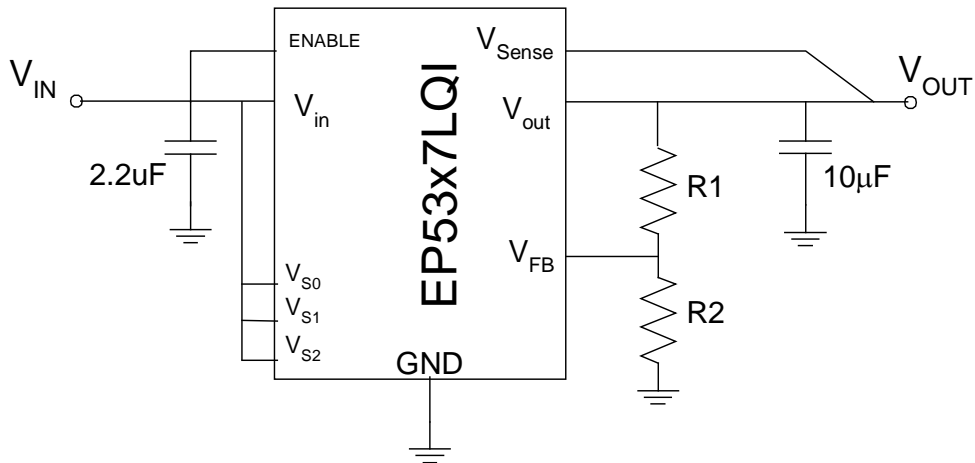


**Figure 2: Balanced-impedance oscilloscope probe. Wrap bare wire around the ground shaft and bring the wire close to the probe tip. This minimizes probe loop inductance and stray noise pickup by the probe.**

## Using The External Voltage Divider

The EP53x7xQI evaluation board is designed to provide a great deal of flexibility in evaluating the performance of the Altera Enpirion DC/DC module.

Pre-tinned pads are provided to place 0805 sized 1% resistors on the board to implement an external resistor divider for the EP53x7LQI to choose an output voltage other than one of the pre-set voltages available on the VID. See Figure 3 for the basic circuit.



**Figure 3. External divider schematic for the EP53x7LQI**

The output voltage is selected by the following formula:

$$V_{OUT} = 0.6V \left( 1 + \frac{R1}{R2} \right)$$

$R_1$  must be chosen as 237k $\Omega$  to maintain control loop stability. Then  $R_2$  is given as:

$$R_2 = \frac{142.2 \times 10^3}{V_{OUT} - 0.6} \Omega$$

The external voltage divider option is chosen by setting the jumpers VS0 – VS3 to a logic “high”. Light-load mode (LLM) is not operational when using external resistor dividers.

## Dynamically Adjustable Output

The EP53x7xQI is designed to allow for dynamic switching between the predefined voltage levels by toggling the VID pins. The inter-voltage slew rate is optimized to prevent excess undershoot or overshoot as the output voltage levels transition. The slew rate is defined in the datasheet.

This feature can be tested by connecting the VSx jumper center pins to logic driver to toggle between the various  $V_{OUT}$  states.

## Input and Output Capacitors

The **input** capacitance is a single 0603 X5R MLCC. Please see the part datasheet for the exact value. There are pre-tinned pads that allows for one additional 0603 capacitor to experiment with input filter performance.

The **output** capacitance requirement is a single X5R MLCC. Please see the datasheet for the exact value. The board has pre-tinned pads for up to 2 additional 0805 output capacitors.

**NOTE:** Capacitors must be X5R or X7R dielectric formulations. Do not use Y5V or any similar dielectric.

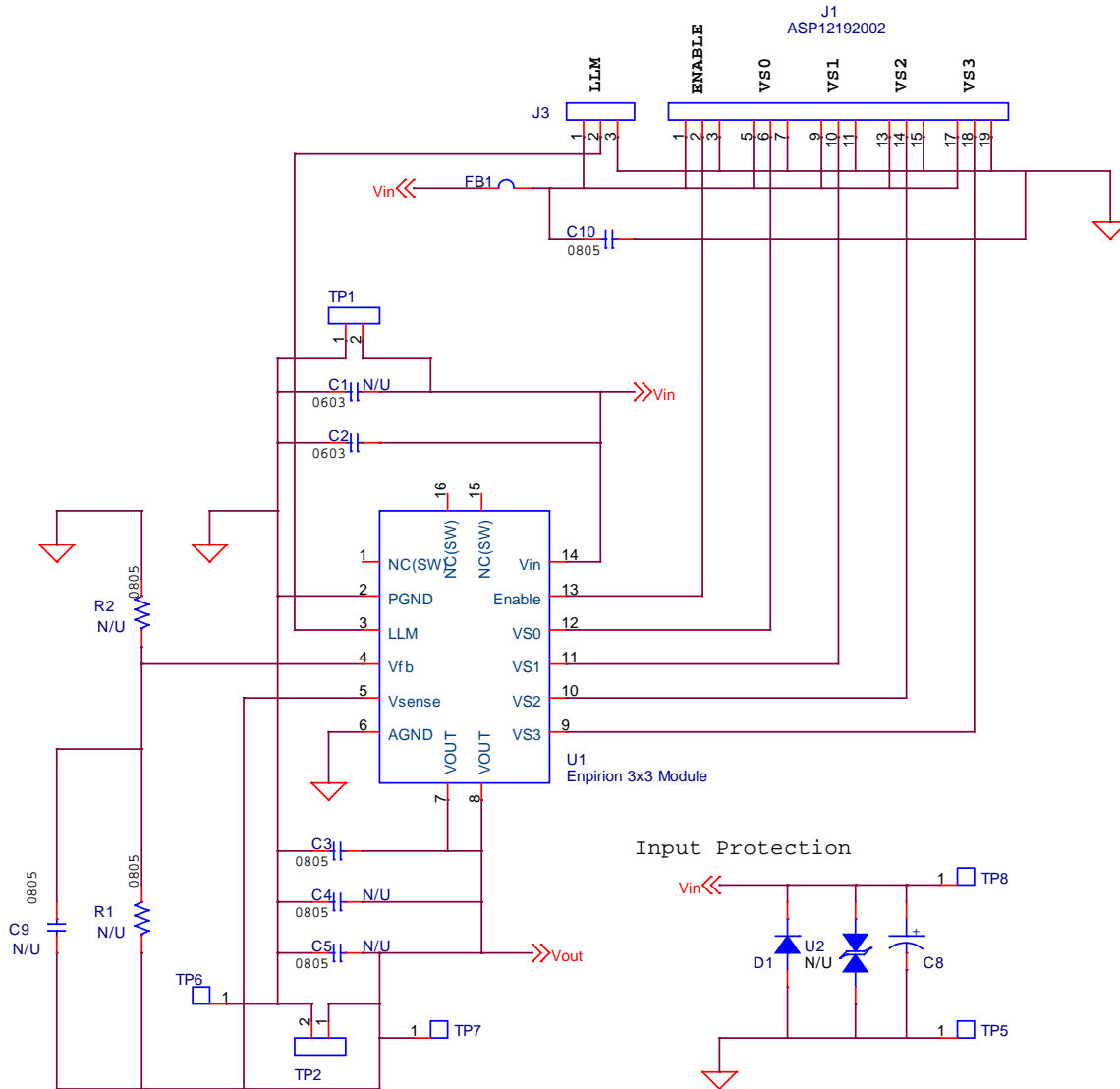


Figure 4: 3x3 Module Evaluation Board Schematic





## Contact Information

Altera Corporation  
101 Innovation Drive  
San Jose, CA 95134  
Phone: 408-544-7000  
[www.altera.com](http://www.altera.com)

© 2013 Altera Corporation—Confidential. All rights reserved. ALTERA, ARRIA, CYCLONE, ENPIRION, HARDCOPY, MAX, MEGACORE, NIOS, QUARTUS and STRATIX words and logos are trademarks of Altera Corporation and registered in the U.S. Patent and Trademark Office and in other countries. All other words and logos identified as trademarks or service marks are the property of their respective holders as described at [www.altera.com/common/legal.html](http://www.altera.com/common/legal.html). Altera warrants performance of its semiconductor products to current specifications in accordance with Altera's standard warranty, but reserves the right to make changes to any products and services at any time without notice. Altera assumes no responsibility or liability arising out of the application or use of any information, product, or service described herein except as expressly agreed to in writing by Altera. Altera customers are advised to obtain the latest version of device specifications before relying on any published information and before placing orders for products or services.

# Mouser Electronics

Authorized Distributor

Click to View Pricing, Inventory, Delivery & Lifecycle Information:

[Intel:](#)

[EVB-EP53A7LQI](#) [EVB-EP53A7HQI](#)