

General Specifications

Motor Structure: Capacitor-Run Induction Motor
Motor Protection: Thermal Protection
Insulation Resistance:
 10M Ω or over with a DC500V Megger
Dielectric Withstand Voltage: AC 1800V 1s
Allowable Ambient Temperature Range:
 -10°C ~ +70°C (Operating)
 -40°C ~ +70°C (Storage)
 (non-condensing environment)

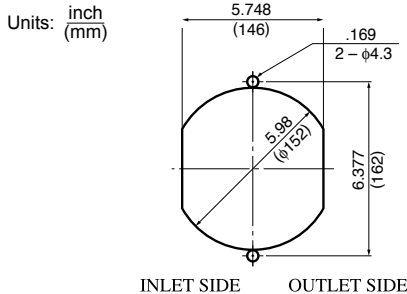
Expected Life

Failure Rate: 10%
 25°C 100,000 Hours

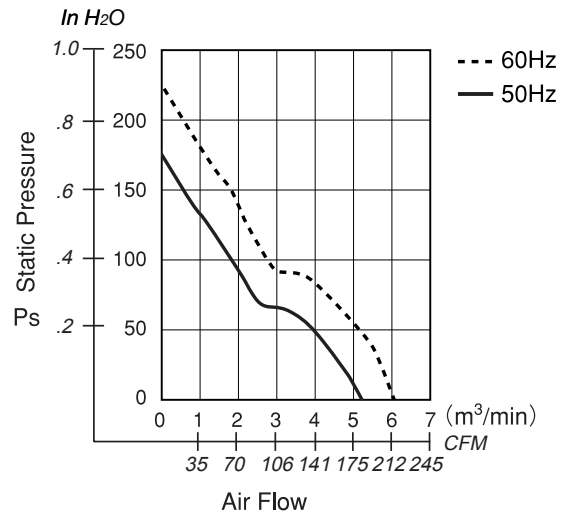
Material

Casing : Aluminum
Impeller : Polycarbonate (Glass Fiber-Containing)
Bearing : Ball Bearing
Terminal : Faston #110 or equivalent

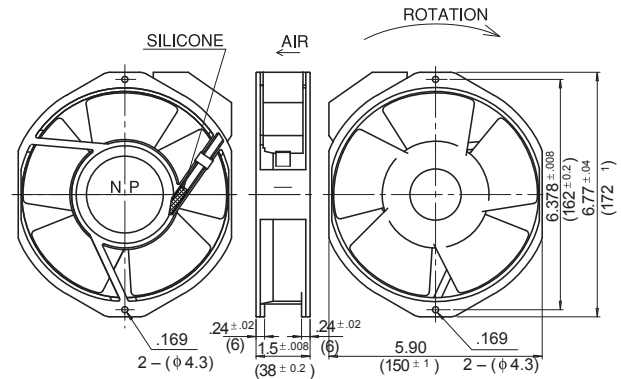
Panel Cut-Outs



Characteristic Curves



Outline



Specifications

MODEL	Rated Voltage	Frequency	Starting Voltage	Current	Input Power	Speed	Max. Air Flow		Max. Static Pressure		Noise	Mass
	(V)	(Hz)	(V)	(A) ¹	(W) ¹	(min ⁻¹) ³	CFM	(m ³ /min) ³	in H ₂ O	(Pa) ³	(dB) ²	(g)
** 5915PC-10T-B30-AM0	100	50	65	0.470	37.0	2700	176.5	5.00	0.628	157.0	52	850
** 5915PC-10T-B30-AM0	100	60	65	0.440	33.0	3200	211.8	6.00	0.863	215.8	56	850
5915PC-12T-B30-AM0	115	50	75	0.380	35.0	2700	176.5	5.00	0.628	157.0	52	850
5915PC-12T-B30-AM0	115	60	75	0.360	32.0	3200	211.8	6.00	0.863	215.8	56	850
** 5915PC-20T-B30-AM0	200	50	130	0.230	34.0	2700	176.5	5.00	0.628	157.0	52	850
** 5915PC-20T-B30-AM0	200	60	130	0.210	33.0	3200	211.8	6.00	0.863	215.8	56	850
** 5915PC-22T-B30-AM0	220	50	145	0.210	40.0	2700	176.5	5.00	0.628	157.0	52	850
** 5915PC-22T-B30-AM0	220	60	145	0.180	38.0	3200	211.8	6.00	0.863	215.8	56	850
5915PC-23T-B30-AM0	230	50	150	0.190	35.0	2700	176.5	5.00	0.628	157.0	52	850
5915PC-23T-B30-AM0	230	60	150	0.180	35.0	3200	211.8	6.00	0.863	215.8	56	850
** 5915PC-24T-B30-AM0	240	50	155	0.180	34.0	2700	176.5	5.00	0.628	157.0	52	850
** 5915PC-24T-B30-AM0	240	60	155	0.170	34.0	3200	211.8	6.00	0.863	215.8	56	850

Rotation: Counterclockwise
 ** Contact NMB for Availability

Airflow Outlet: Air Out Over Struts

¹: Maximum Values in Free Air
²: Average Values in Free Air
³: Minimum Values in Free Air

Mouser Electronics

Authorized Distributor

Click to View Pricing, Inventory, Delivery & Lifecycle Information:

[NMB Technologies:](#)

[5915PC-24T-B30-AM0](#)