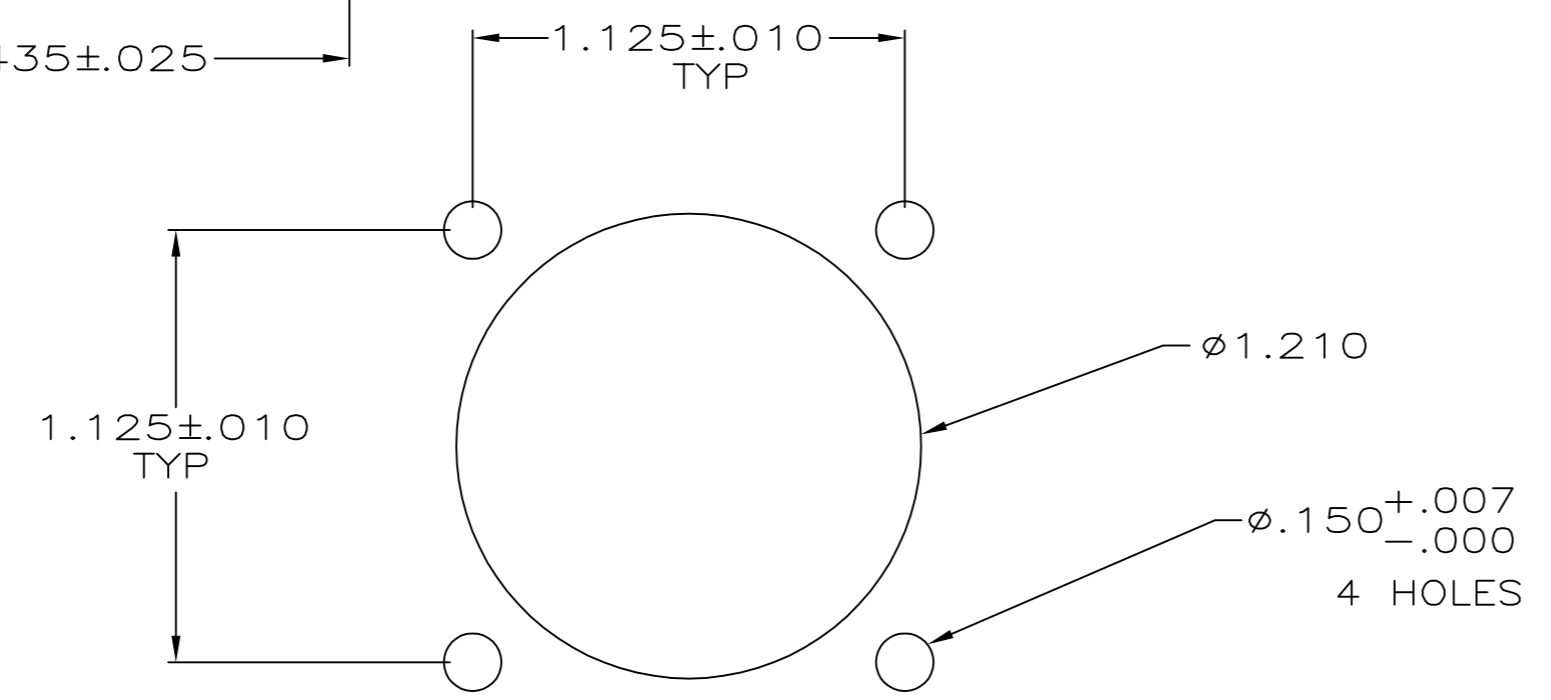
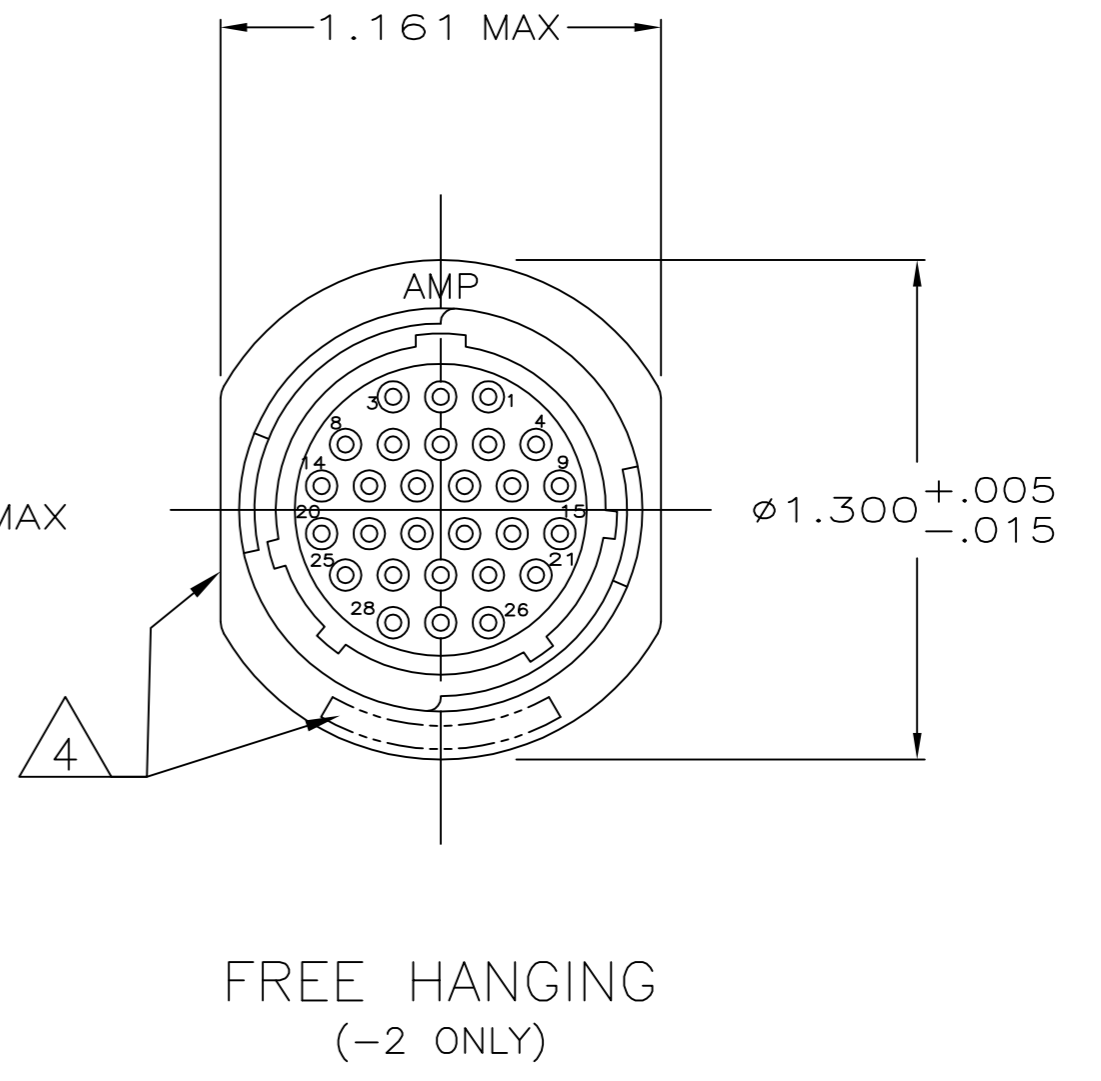
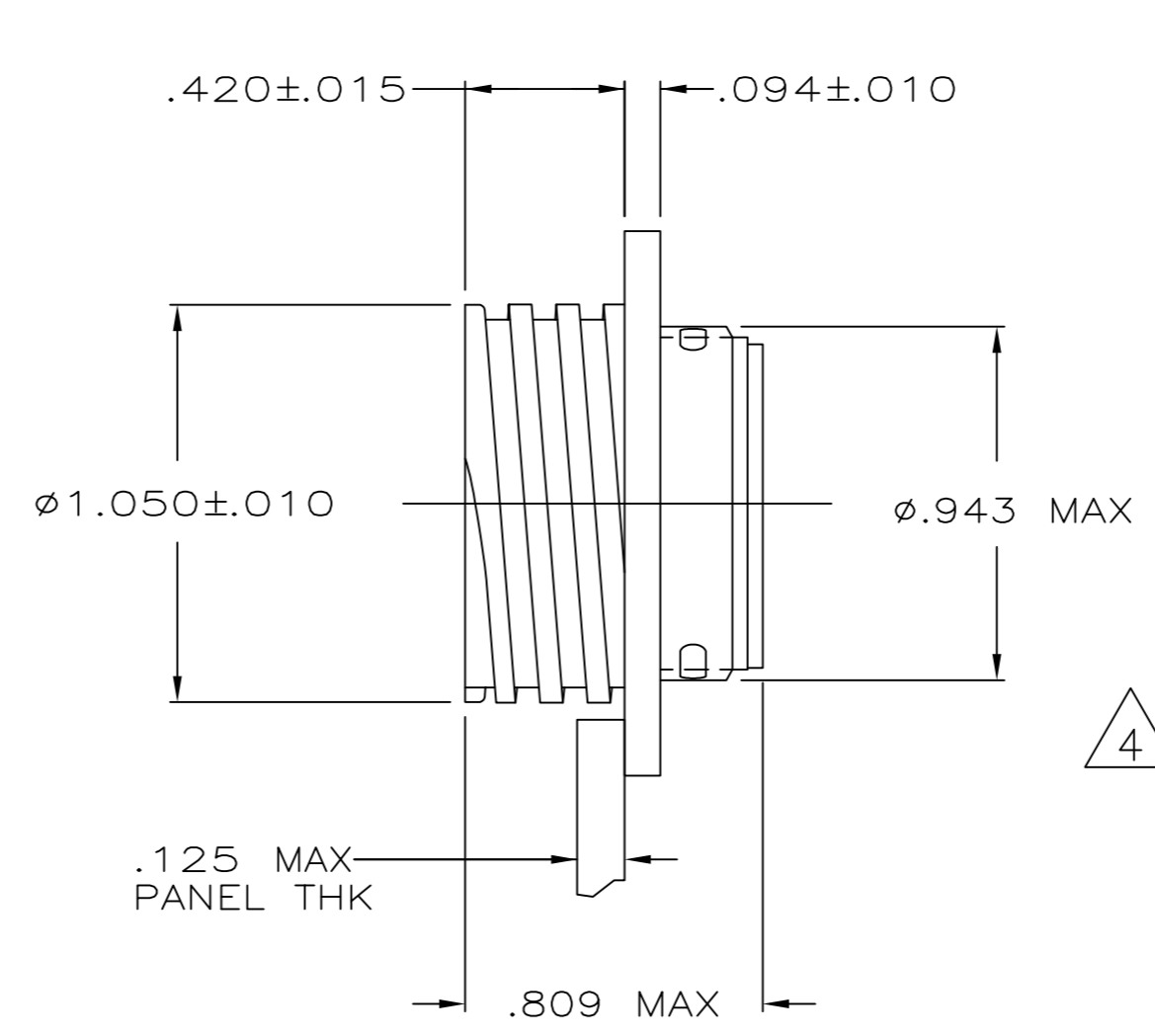
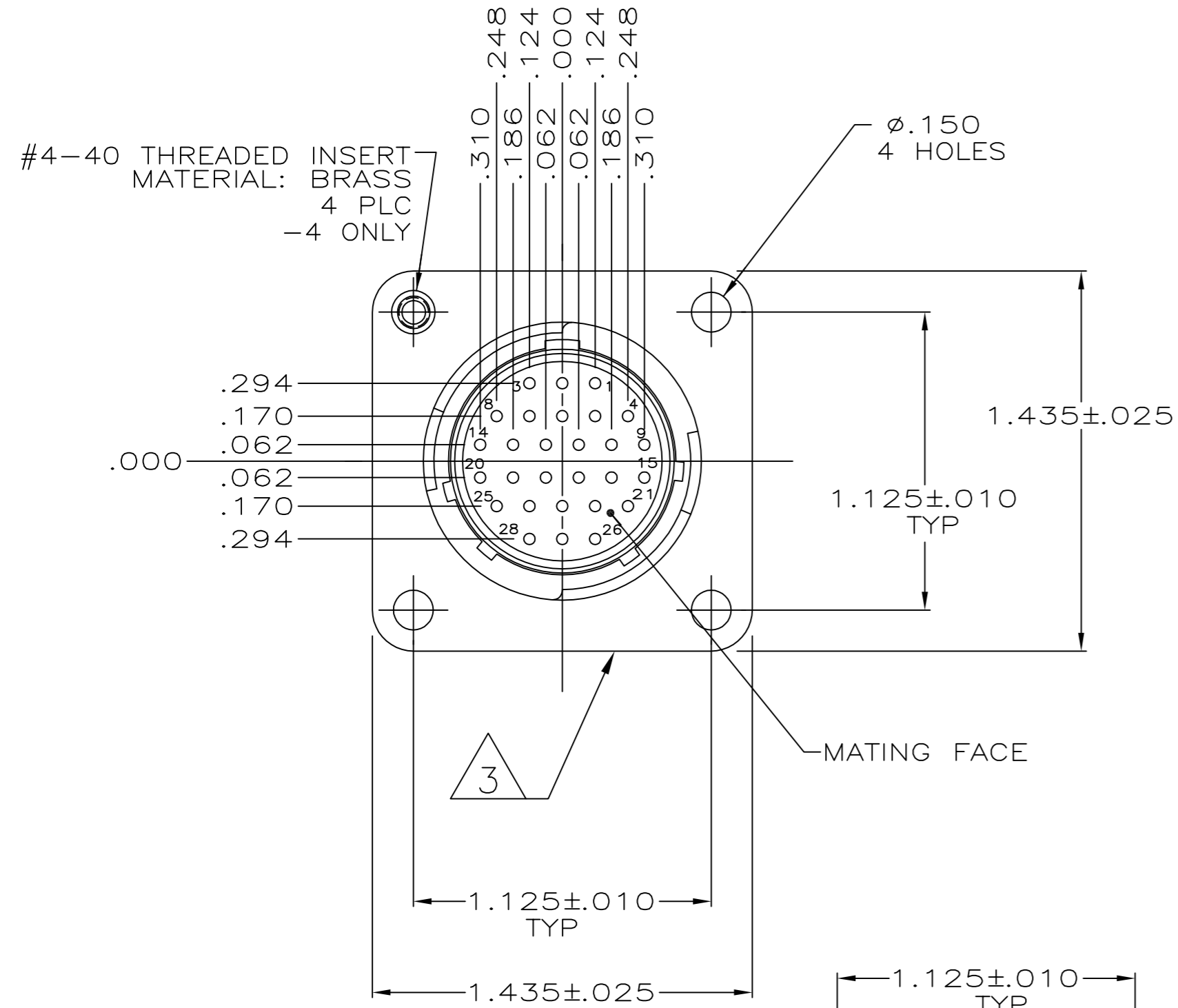


THIS DRAWING IS UNPUBLISHED. RELEASED FOR PUBLICATION
 © COPYRIGHT - By - ALL RIGHTS RESERVED.

REVISIONS					
P	LTR	DESCRIPTION	DATE	DWN	APVD
H1		REVISED PER ECO-11-004820	11MAR11	RK	HMR
J		REVISED PER ECO-18-000969	23JAN2018	RS	MZ



PANEL CUTOUT

- 1 CONTACT CAVITIES IDENTIFIED BY CHARACTERS ON FRONT AND REAR FACES OF CONNECTOR.
- 2 WILL ACCEPT (28) SIZE 20 SOCKET CONTACTS.
- 3 PART NUMBER AND DATE CODE MARKED ON ANY FLANGE EDGE.
- 4 PART NUMBER AND DATE CODE MARKED ON ANY FLANGE EDGE OR TOP OF FLANGE.

206038-4
206038-2
206038-1
PART NUMBER

THIS DRAWING IS A CONTROLLED DOCUMENT.		DWN A.STAUB BG 4/5/91	STE TE Connectivity Ltd.	
DIMENSIONS: INCHES		CHK W.G.LENKER 7-24-92		
TOLERANCES UNLESS OTHERWISE SPECIFIED:		APVD K.BEAVER 7-24-92	NAME RECEPTACLE ASSEMBLY, REV SEX, SERIES 2, 17-28, CPC	
0 PLC ± -		PRODUCT SPEC 108-10024	SIZE A2	
1 PLC ± -		APPLICATION SPEC	CAGE CODE 00779	DRAWING NO C=206038
2 PLC ± -			RESTRICTED TO -	
3 PLC ± .005			SCALE 2:1 SHEET 1 of 1	
4 PLC ± -			REV J	
ANGLES ± -				
FINISH -		WEIGHT		
MATERIAL THERMOPLASTIC, BLACK		CUSTOMER DRAWING		

Mouser Electronics

Authorized Distributor

Click to View Pricing, Inventory, Delivery & Lifecycle Information:

[TE Connectivity:](#)

[206038-4](#)