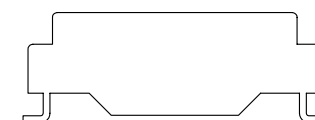
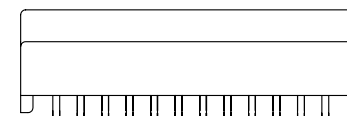


NOTES:

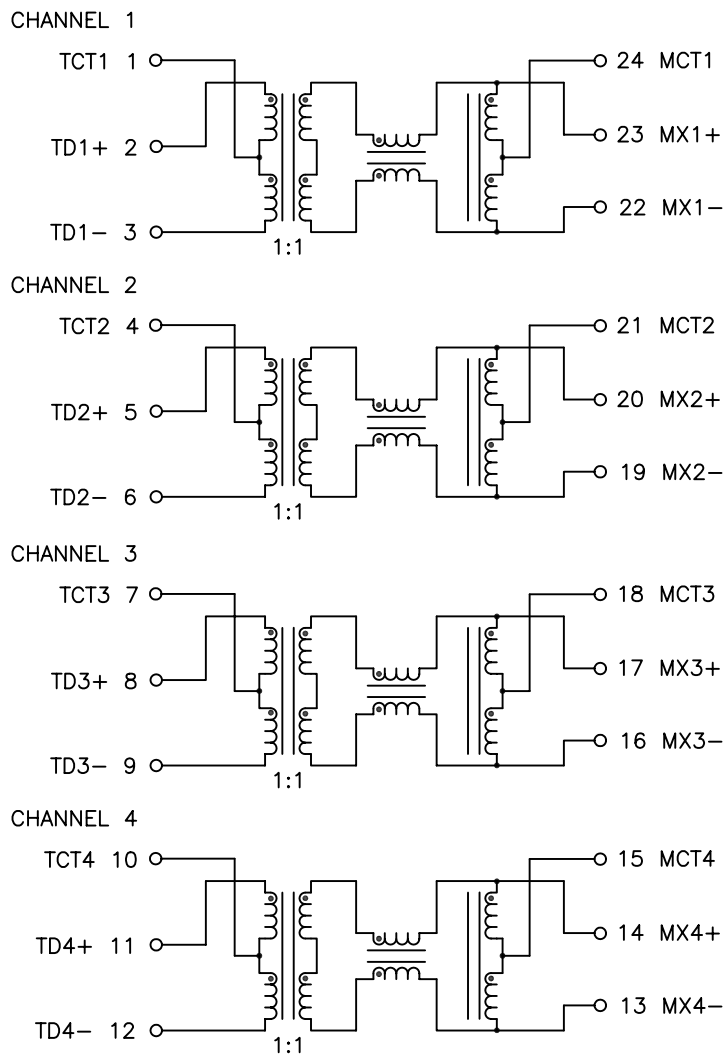
1. ROHS COMPLIANT
2. HEADER: DAP (DIALLYL PHTHALATE) WITH FLAMMABILITY RATING UL 94V-0 OR BETTER.
3. STORAGE TEMPERATURE: -50°C TO +125°C
4. COMPLIANCE TO J-STD:
  - A. J-STD-002: SOLDERABILITY AT 245°C REFLOW PROFILE
  - B. J-STD-020: LEVEL 1, NO MOISTURE SENSITIVE
  - C. J-STD-075: R7, 245°C MAXIMUM THROUGH REFLOW SOLDER
5. TO ORDER TAPE & REEL PACKAGING ADD A "T" SUFFIX TO THE PART NUMBER(i.e HX5062FNL BECOMES HX5062FNLT).



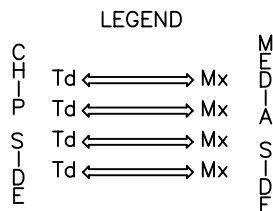
FINAL OUTLINE

© Copyright, 2014. Pulse Electronics Corp. All rights reserved. Pulse confidential & proprietary. (06/30/14)

| PRODUCT DESCRIPTION   | TLA DRAWING  | PS DRAWING    | SHEET  | PART NO.  | DATASHEET REV. |
|-----------------------|--------------|---------------|--------|-----------|----------------|
| MDL,SIN,1GD,1:1,SM,TU | HX5062FNL-10 | PS-2597.001-C | 1 OF 3 | HX5062FNL | A              |



SCHEMATIC



ALL CHANNELS ARE IN PHASE BETWEEN INPUT AND OUTPUT

ELECTRICAL CHARACTERISTICS AT +25°C UNLESS OTHER SPECIFIED

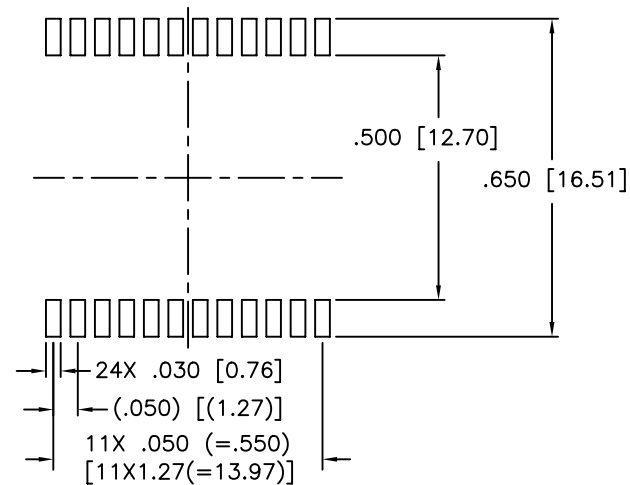
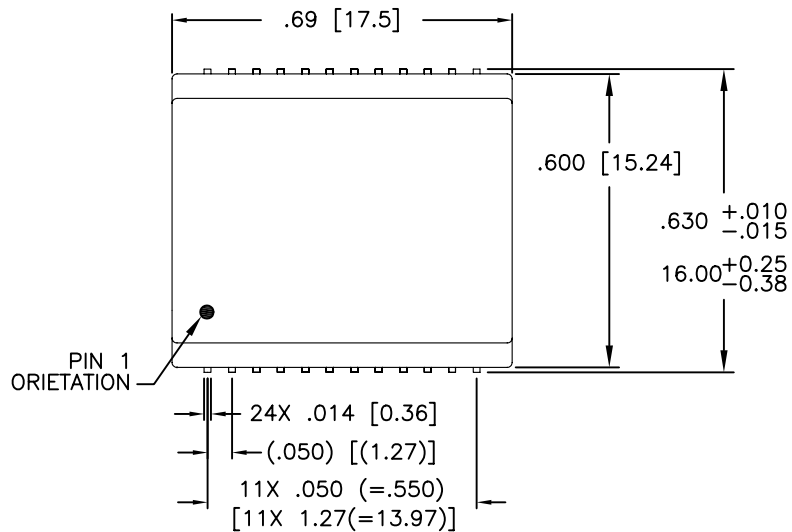
MEETS IEEE 802.3 SPECIFICATION

| PARAMETER                                    | SPECIFICATIONS  |  |
|--|---|--|
| OPERATING TEMP                               | -40°C ~ +85°C   |  |
| TURNS RATIO                                  | 1 : 1 ±2%   |  |
| POLARITY                                     | PER SCHEMATIC   |  |
| INSERTION LOSS                               | 100 KHz   | 1-125 MHz                                  |
|  | -1.2 dB MAX   | -0.2-0.002*f <sup>1.4</sup> dB MAX         |
| RETURN LOSS<br>(Z OUT = 100 OHM ±15%)        | .1-40 MHz   | 40-100 MHz                                 |
|  | -16 dB MIN  | -10+20*LOG <sub>10</sub> (f/80 MHz) dB MIN |
| INDUCTANCE (OCL)<br>(MEDIA SIDE, -40°C~85°C) | 350 uH MIN (MEASURED AT 100 KHz, 100 mVRMS AND WITH 8 mA DC BIAS) |  |
|  | 1 MHz   | 10-100 MHz                                 |
| CROSSTALK, ADJACENT CHANNELS                 | -50 dB MIN  | -55+22*LOG <sub>10</sub> (f/10) dB MIN     |
|  | 2 MHz   | 30-200 MHz                                 |
| COMMON MODE REJECTION RATIO                  | -50 dB MIN  | -15+20*LOG <sub>10</sub> (f/200) dB MIN    |
|  |   |  |
| DC RESISTANCE, 1/2 WINDING                   | .65 OHMS MAX  |  |
| DC RESISTANCE IMBALANCE                      | ±.065 OHMS MAX (CENTER TAP SYMMETRY)                              |  |
| INPUT - OUTPUT ISOLATION                     | 1500 VRMS MIN @ 60 SECONDS  |  |

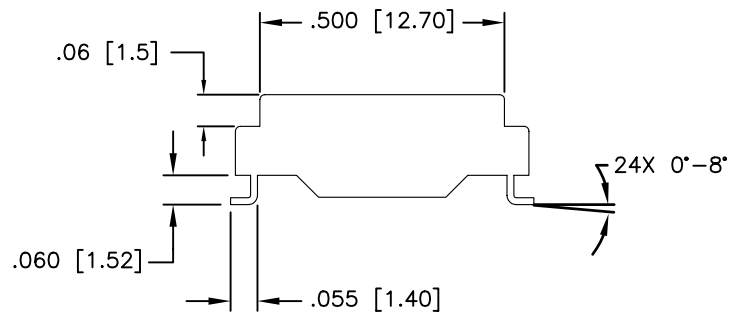
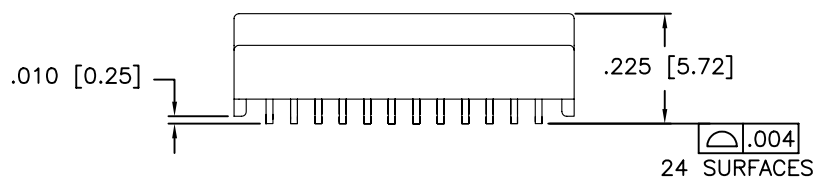
NOTE: f IS FREQUENCY IN MHz.

© Copyright, 2014. Pulse Electronics Corp. All rights reserved. Pulse confidential & proprietary. (06/30/14)

| PRODUCT DESCRIPTION   | TLA DRAWING  | PS DRAWING    | SHEET  | PART NO.  | DATASHEET REV. |
|-----------------------|--------------|---------------|--------|-----------|----------------|
| MDL,SIN,1GD,1:1,SM,TU | HX5062FNL-10 | PS-2597.001-C | 2 OF 3 | HX5062FNL | A              |



SUGGESTED LAND PATTERN



DIMENSIONS ARE IN INCHES [MILLIMETERS] WITH THE FOLLOWING TOLERANCES: [MILLIMETERS] ARE FOR REFERENCE ONLY.  
 .XX=  $\pm$ .01 [ $\pm$ 0.25]  
 .XXX=  $\pm$ .005 [ $\pm$ 0.13]

© Copyright, 2014. Pulse Electronics Corp. All rights reserved. Pulse confidential & proprietary. (06/30/14)

| PRODUCT DESCRIPTION   | TLA DRAWING  | PS DRAWING    | SHEET  | PART NO.  | DATASHEET REV. |
|-----------------------|--------------|---------------|--------|-----------|----------------|
| MDL,SIN,1GD,1:1,SM,TU | HX5062FNL-10 | PS-2597.001-C | 3 OF 3 | HX5062FNL | A              |

# Mouser Electronics

Authorized Distributor

Click to View Pricing, Inventory, Delivery & Lifecycle Information:

Pulse:

[HX5062FNL](#)