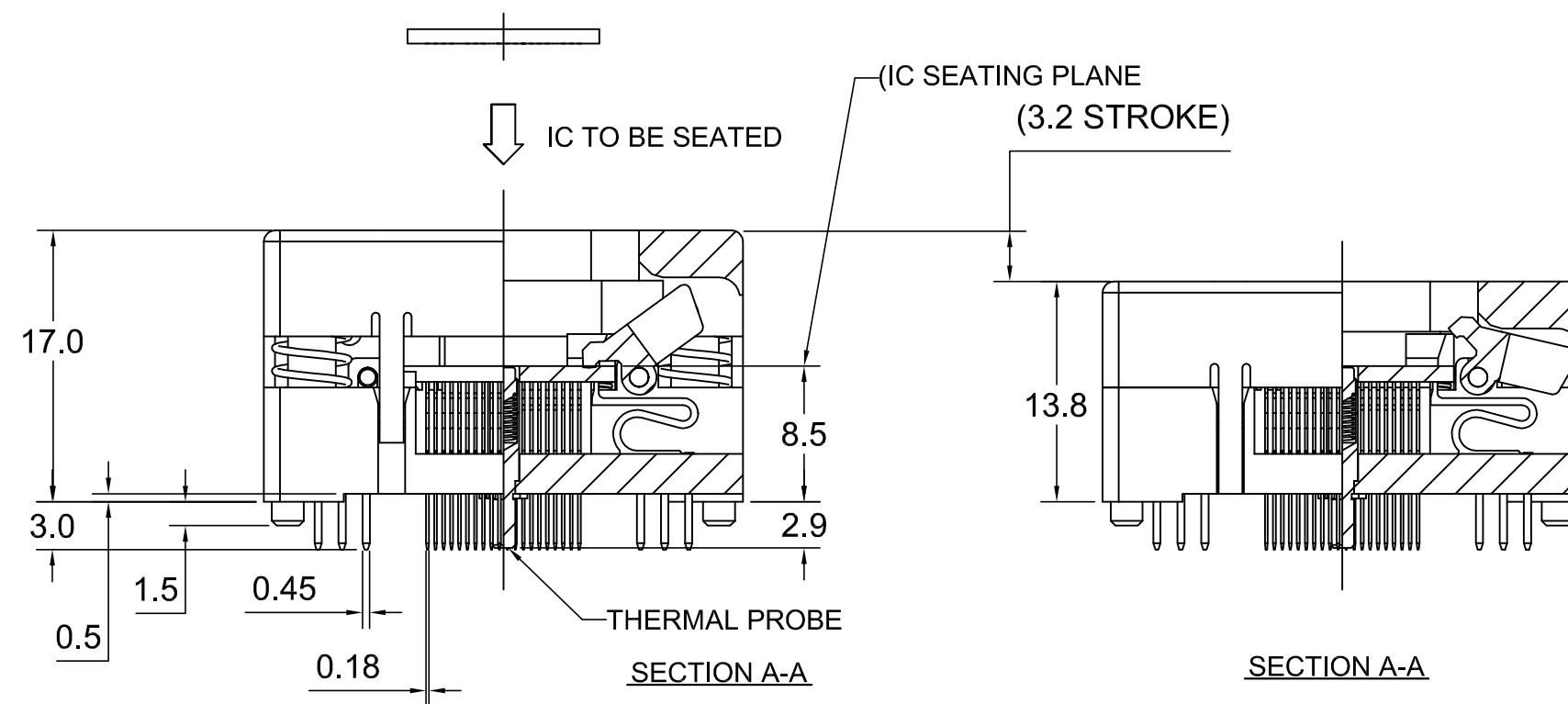
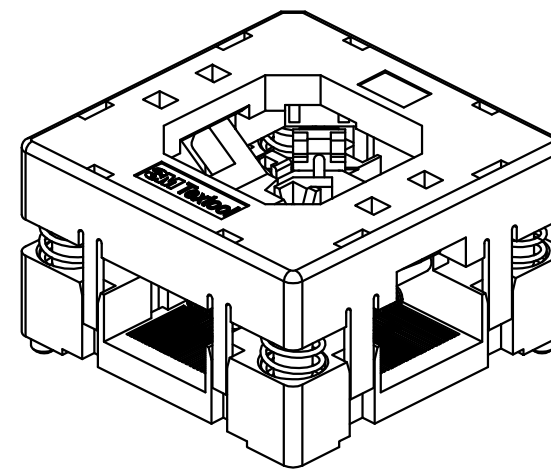
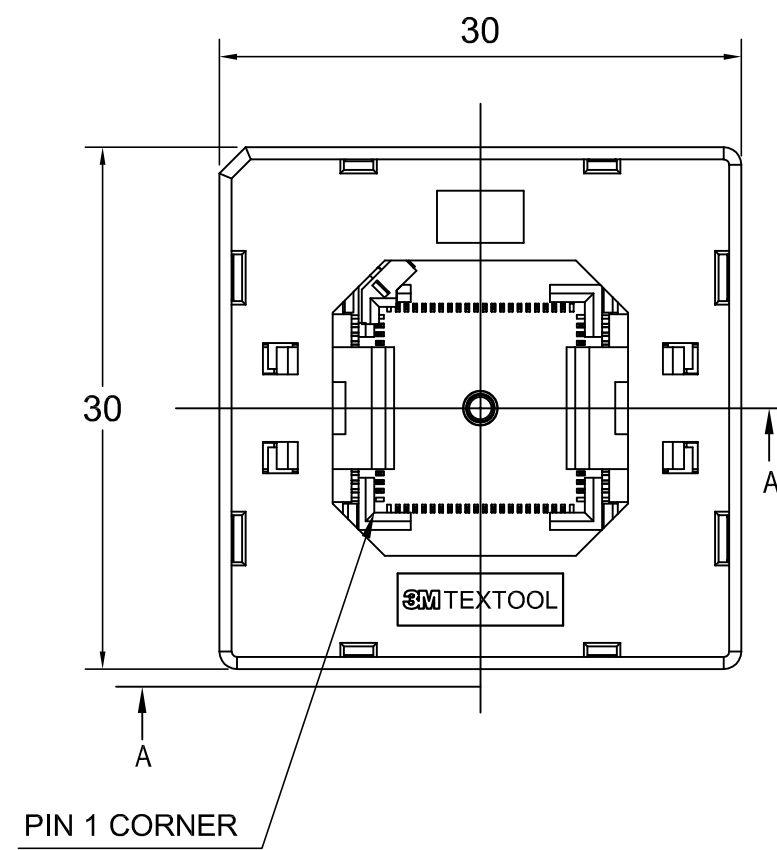


3M™ TEXTTOOL™ OPEN-TOP SOCKETS FOR QFN APPLICATIONS



NOTES:

1. MATERIALS:

SPRINGS	SS	PLATING : Au
CONTACTS	Be Cu	COLOR : BLACK
IC GUIDES	PES	COLOR : BLACK
PRESSURE PAD	PES	COLOR : BLACK
COVER	PPS or equiv.	COLOR : BLACK
BASE	PES	COLOR : BLACK

2. SEE THE REGULATORY INFORMATION APPENDIX (RIA) IN THE "RoHS COMPLIANCE" SECTION WWW.3MCONNECTOR.COM FOR COMPLIANCE INFORMATION (RIA E1 & C1 APPLY).

3. FOR PRODUCT SPECIFICATIONS AND WARRANTY INFORMATION SEE:

WWW.3MCONNECTOR.COM PN 280-5205-01

REV	ECO	ISSUE DATE AND DESCRIPTION	DRFT	CHKD
B	53964	ADDED PINOUT ON SHT 2	LDS	BG
A	37213	INITIAL RELEASE	ARM	
DRFT	DATE	MFG	DATE	
CHKD	DATE	APPVL	DATE	

DESIGN REFERENCE	NEXT ASSEMBLY
DISTRIBUTION CODES	
DIVISION	DIVISION CODE
DO NOT SCALE DRAWING	SCALE 5/1
TOLERANCES EXCEPT AS NOTED	
INCHES	.0 ± .1 .00 ± .02 .000 ± .005 .0000 ± .0002
THIRD ANGLE PROJECTION	INTERPRET PER ASME Y14.5 - 1994
MAX SURFACE ROUGHNESS	125
ALL SURFACES	<input type="checkbox"/>
MARKED ONLY	<input checked="" type="checkbox"/>
ANGLES ±	1°

3M 3M Center St. Paul, MN 55144

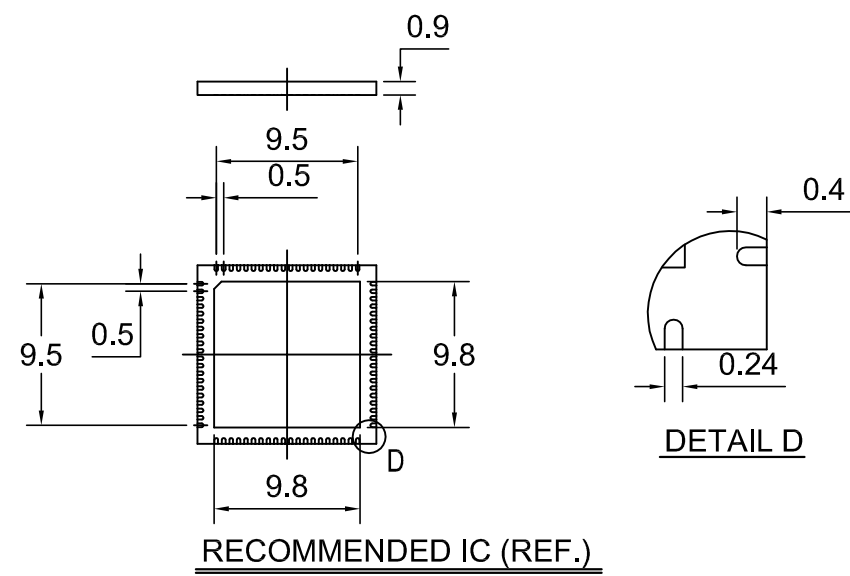
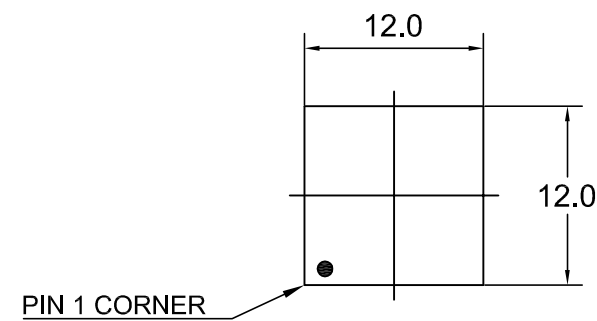
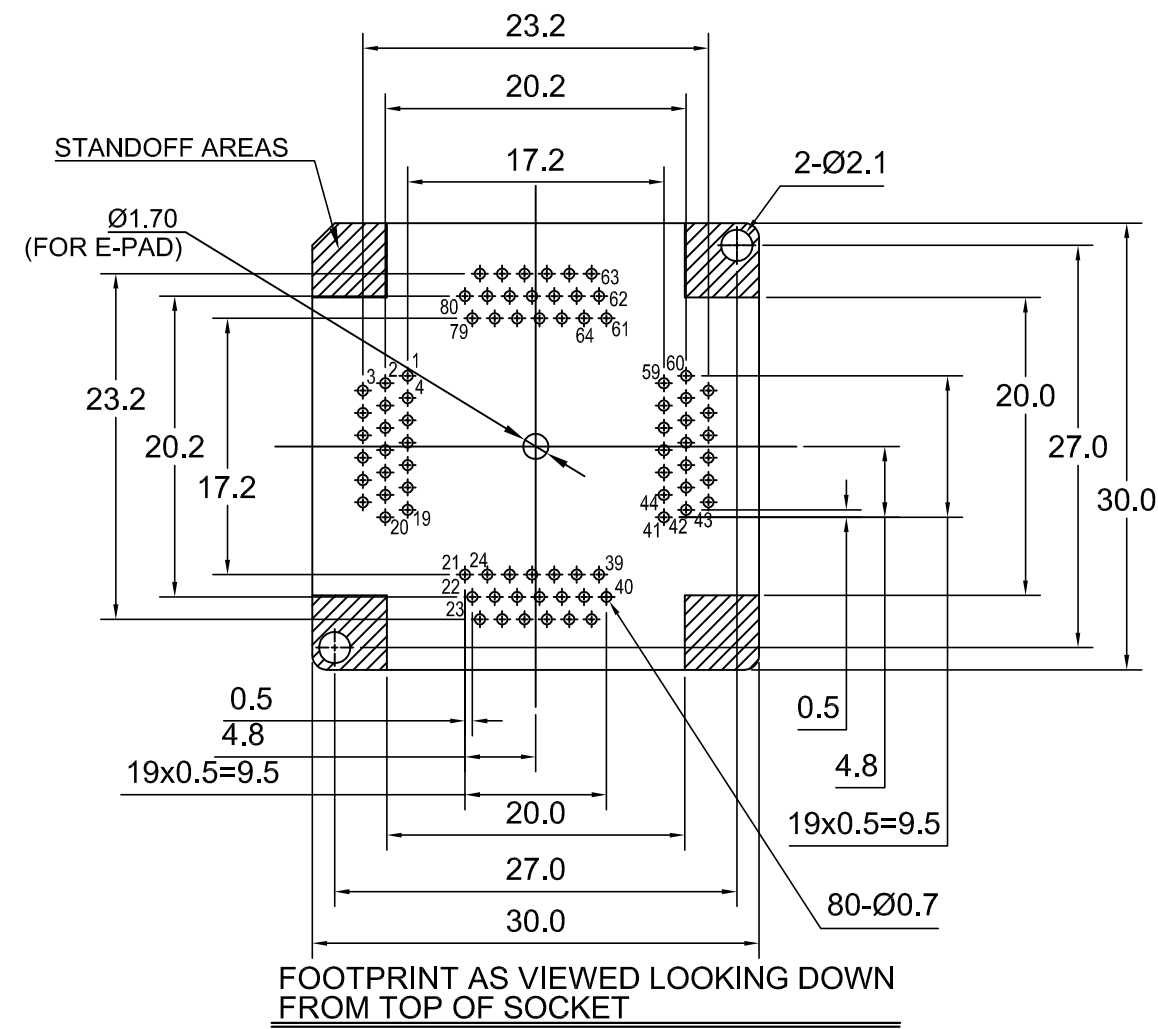
© 3M COPYRIGHT 2014
This document is the copyrighted property of the 3M Company and may not be reproduced without 3M written permission or used for other than 3M authorized purposes.

TITLE: **QFN TEST SOCKET, 0.5mm 80 POS, EVEN ROW, 12x12 PKG WITH TP**

CAGE NUMBER: **C** DRAWING NO.: **78-5100-2476-9** REV. **B**

MODEL: **TEXTTOOL - QFN** DET. LISTS: YES NO SHT 1 OF 2

3M™ TEXTTOOL™ OPEN-TOP SOCKETS FOR QFN APPLICATIONS



DESIGN REFERENCE		NEXT ASSEMBLY		REV	ECO	ISSUE DATE AND DESCRIPTION		DRFT	CHKD
DISTRIBUTION CODES				DRFT		DATE	MFG	DATE	
				CHKD		DATE	APPVL	DATE	
DIVISION		DIVISION CODE		3M		© 3M COPYRIGHT 2014 This document is the copyrighted property of the 3M Company and may not be reproduced without 3M written permission or used for other than 3M authorized purposes.			
DO NOT SCALE DRAWING	SCALE 5 1	TOLERANCES EXCEPT AS NOTED		TITLE QFN TEST SOCKET, 0.5mm 80 POS, EVEN ROW, 12x12 PKG WITH TP					
THIRD ANGLE PROJECTION		INCHES		CAGE NUMBER C					
INTERPRET PER ASME Y14.5 - 1994		MILLIMETERS		DRAWING NO. 78-5100-2476-9					
MAX SURFACE ROUGHNESS 125		ALL SURFACES		REV. B					
125		MARKED ONLY		MODEL TEXTTOOL - QFN					
		ANGLES ± 1°		DET. LISTS		YES <input type="checkbox"/> NO <input checked="" type="checkbox"/>		SHT 2 OF 2	

Mouser Electronics

Authorized Distributor

Click to View Pricing, Inventory, Delivery & Lifecycle Information:

[3M:](#)

[280-5205-01](#)