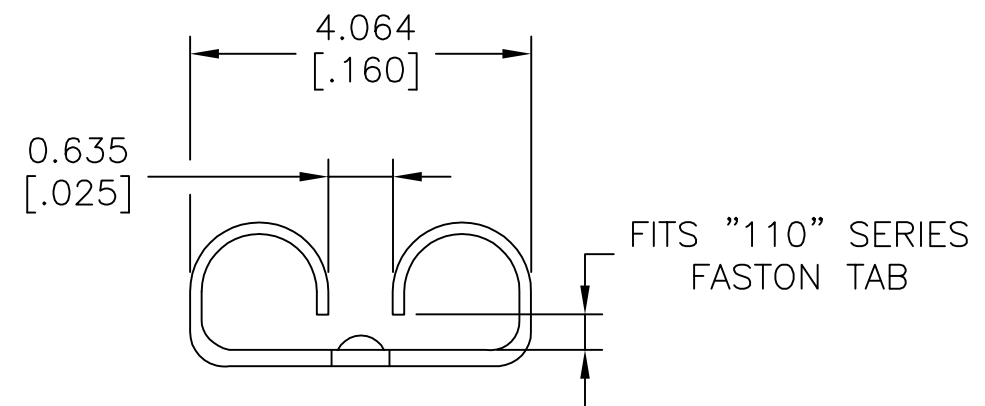
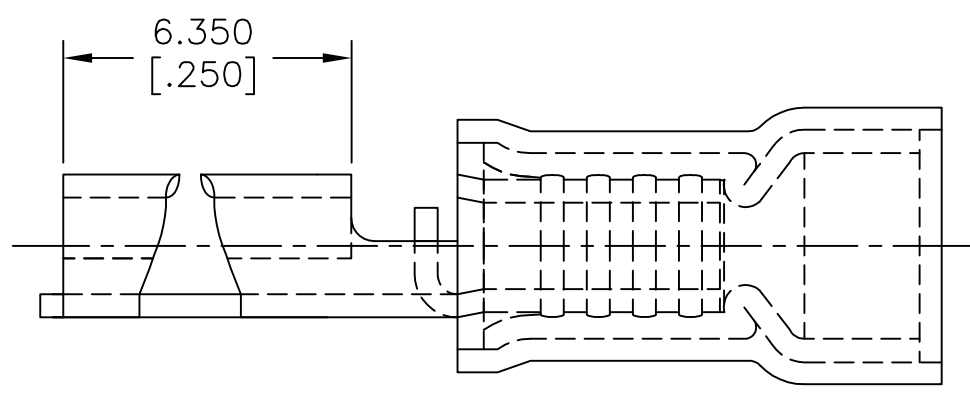
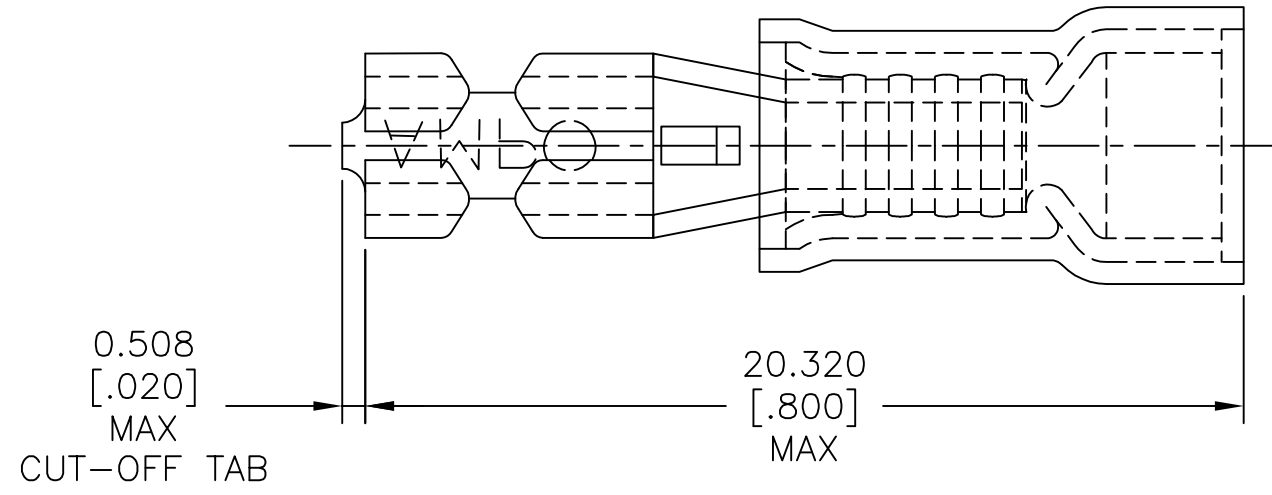


REVISIONS					
P	LTR	DESCRIPTION	DATE	DWN	APVD
	G	REV PER OG3A-0176-02	08APR02	JR	TM
	G1	REVISED PER ECO-17-002887	31AUG2017	RS	DR



- 1 INSULATION  $\phi 4.318[\phi.170]$  MAX.
- 2 FITS TAB 0.406[.016] THK.

-	LOOSE PIECE	640927-1
QTY	PACKAGE TYPE	PART NO

AMP INCORPORATED CUSTOMER SERVICE SYSTEM		MAX RECOMMENDED OPERATING TEMPERATURE: -	THIS DRAWING IS A CONTROLLED DOCUMENT.		DWN L OLMEDA 13NOV95	TE Connectivity RECEPTACLE, 110 SERIES, FASTON™, PIDG™, WIRE SIZE, 16-14 AWG								
FOR ADDITIONAL PRODUCT INFORMATION OR COPIES OF DRAWINGS AND TECHNICAL DOCUMENTS	PRODUCT INFORMATION CENTER 1-800-522-6752	VOLTAGE RATING: -	DIMENSIONS: mm [INCHES]	TOLERANCES UNLESS OTHERWISE SPECIFIED:	CHK M ELLIS 15NOV95					NAME	SIZE	CAGE CODE	DRAWING NO	RESTRICTED TO
FOR APPLICATION TOOLING INFORMATION	TOOLING ASSISTANCE CENTER 1-800-722-1111	CIRCULAR MIL AREA: -		0 PLC ± - 1 PLC ± - 2 PLC ± 0.25[.015] 3 PLC ± 0.127[.005] 4 PLC ± - ANGLES ± -	APVD B BARE 15NOV95	APPLICATION SPEC	114-1002	WEIGHT	A300779	C=640927				
FOR ORDER ENTRY	1-800-526-5142			MATERIAL BODY, BRASS .016 SLV, NYLON, COLOR, BLUER	FINISH BODY, PRE-TIN	PRODUCT SPEC	114-1002	-	CUSTOMER DRAWING	SCALE	NTS	SHEET	1 OF 1	REV

# Mouser Electronics

Authorized Distributor

Click to View Pricing, Inventory, Delivery & Lifecycle Information:

[TE Connectivity:](#)

[640927-2](#)