

Tip Jack Insulated Standard

SPECIFICATIONS:

Contact: Phosphor bronze per QQ-B-750

Finish: Bright tin

Body: Nylon 6/6 per ASTM D4066

Hardware: Nickel plated nut (unassembled)

Body Thread Stripping Torque: 4.0 lb. in.
(4.5 kg. cm.)

Panel Thickness: Up to .437 (11.10)

RATINGS

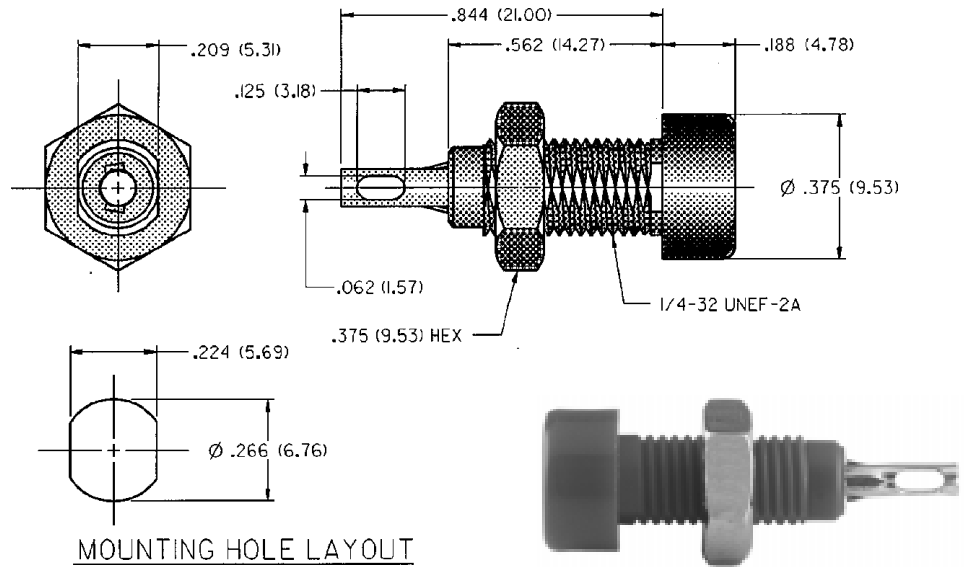
Current: 10 amps

Breakdown Voltage: 5700 Vrms minimum

Contact Resistance: 0.010 ohms maximum

Contact-To-Panel C: 2 pF nominal

| |
|---------------------------|
| BRIGHT TIN PLATING |
| 105-0801-001 White |



For Standard Tip Plug: .080 (2.00) Diameter

FEATURES:

- Formed contact with slotted terminal
- Hex socket head .188 (4.77) for ease in mounting
- Nylon UL approved for self extinguishing

Mouser Electronics

Authorized Distributor

Click to View Pricing, Inventory, Delivery & Lifecycle Information:

[Cinch Connectivity Solutions:](#)

[105-0810-001](#)