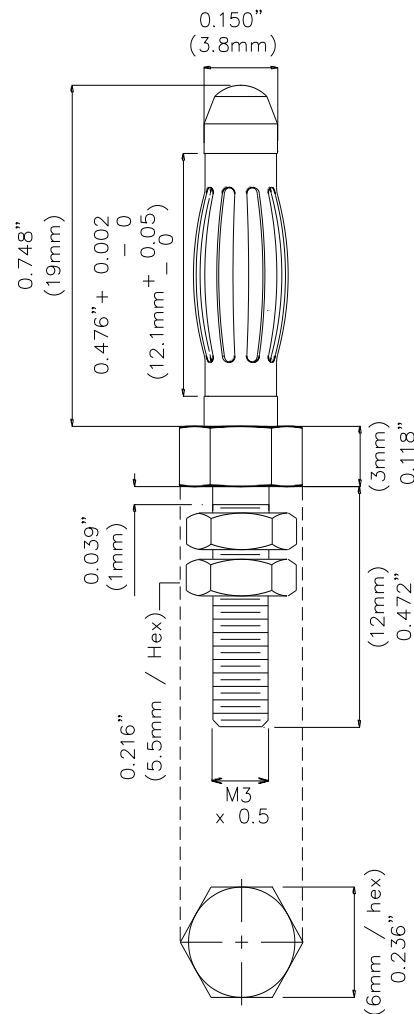


**Model 72918**  
**4mm Banana Plug with Threaded M3 Stud**



## Fast Installation, Rugged Performance

### Features

- Threaded M3 stud for rapid mounting.
- Furnished with two hex nuts.
- Ideal for lug or ring type connections.
- Mates to standard 4mm banana jacks.

### Materials

Body: Nickel-plated brass  
Finish: Tarnish resistant nickel

### Ratings

Voltage: For *CE compliance* and for personal safety, do not hold in hand when voltages exceed 30 Vrms / 42.4 Vpk / 60 Vdc, or current exceeds 8A maximum..

Maximum voltage for *hands free use* in controlled testing environments: 5000 Vdc  
Do not use on circuits where transient stresses can exceed the rated voltage.

Current: 36 A

### Ordering Information

Model: 72918

**USA:** Sales: 800-490-2361  
Technical Support: [technicalsupport@pomonatest.com](mailto:technicalsupport@pomonatest.com)  
Fax: 425-446-5844

**Europe:** 31-(0) 40 2675 150 **International:** 425-446-5500

**Where to Buy:** [www.pomonaelectronics.com](http://www.pomonaelectronics.com)

All dimensions are in inches. Tolerances (except noted): .xx = ±.02" (.51 mm), .xxx = ±.005" (.127 mm). All specifications are to the latest revisions. Specifications are subject to change without notice. Registered trademarks are the property of their respective companies.

# Mouser Electronics

Authorized Distributor

Click to View Pricing, Inventory, Delivery & Lifecycle Information:

[Pomona:](#)

[72918](#)