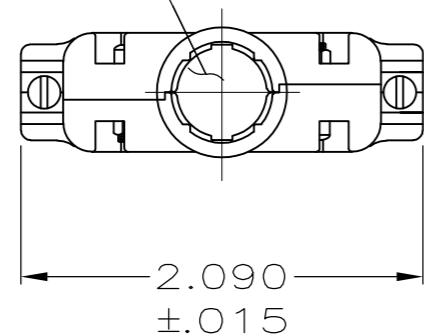


THIS DRAWING IS UNPUBLISHED. RELEASED FOR PUBLICATION  
 © COPYRIGHT - By - ALL RIGHTS RESERVED.

LOC	DIST	REVISIONS					
GP	00	P	LTR	DESCRIPTION	DATE	DWN	APVD
		P		REVISED PER ECO-11-004835	11MAR11	RK	HMR

OPENING FOR CABLE  
 (SEE DASH NO. FOR DIA.)



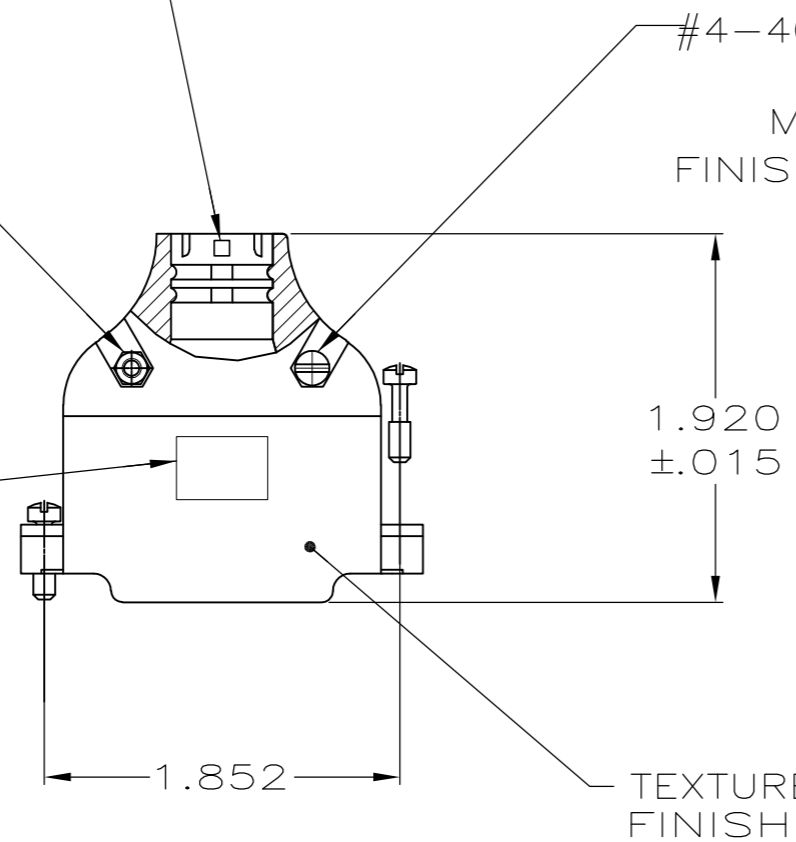
- PARTS PACKAGED UNASSEMBLED, AS A UNIT KIT.
- ZINC PLATED .000200-.000400 THICK, CLEAR CHROMATE COATING.

SIZE IDENTIFICATION LETTER  
 MOLDED IN APPROXIMATE AREA  
 SHOWN, SEE TABLE

#4-40 HEX NUT  
 (QTY. 2)  
 MATL: CARBON STEEL  
 FINISH:  $\triangle 2$

#4-40 FIL HD SCREW  
 (QTY. 2)  
 MATL: STEEL  
 FINISH:  $\triangle 2$

AMP LOGO



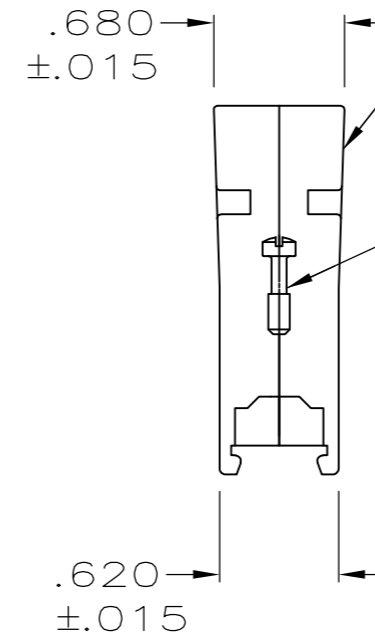
TEXTURED  
 FINISH

CABLE CLAMP HALF  
 (QTY. 2)  
 MATL: ZINC ALLOY  
 FINISH: NICKEL OVER COPPER

.680  
 $\pm .015$

#4-40 MOUNTING SCREW  
 (QTY. 2)  
 MATL: CARBON STEEL  
 FINISH:  $\triangle 2$

.620  
 $\pm .015$



D	.280	5745173-5
G	.350	5745173-4
K	.430	5745173-3
M	.480	5745173-2
P	.530	5745173-1
NECK SIZE IDENT	MAX CABLE DIA	PART NUMBER

THIS DRAWING IS A CONTROLLED DOCUMENT.		DWN B. MCMASTER 12AUG05	<b>TE</b> TE Connectivity	
DIMENSIONS: INCHES		CHK C. ROHDE 12AUG05		
TOLERANCES UNLESS OTHERWISE SPECIFIED:		APVD M. WALMSLEY 12AUG05	NAME CABLE CLAMP KIT, SIZE 3, 180 DEGREE, AMPLIMITE	
0 PLC ± - 1 PLC ± - 2 PLC ± - 3 PLC ± .005 4 PLC ± - ANGLES ± -		PRODUCT SPEC -	RESTRICTED TO -	
MATERIAL SEE CALLOUTS		FINISH SEE CALLOUTS	WEIGHT -	SCALE 1:1
		CUSTOMER DRAWING	SIZE A2	CAGE CODE 00779
			DRAWING NO 5745173	REV P
			SHEET 1 of 1	

# Mouser Electronics

Authorized Distributor

Click to View Pricing, Inventory, Delivery & Lifecycle Information:

[TE Connectivity:](#)

[5745173-1](#)