

- PIN No.1: DAT2
- PIN No.2: CD/DAT3<sup>2</sup>
- PIN No.3: CMD
- PIN No.4: VDD
- PIN No.5: CLK
- PIN No.6: Vss
- PIN No.7: DAT0
- PIN No.8: DAT1

NOTES:

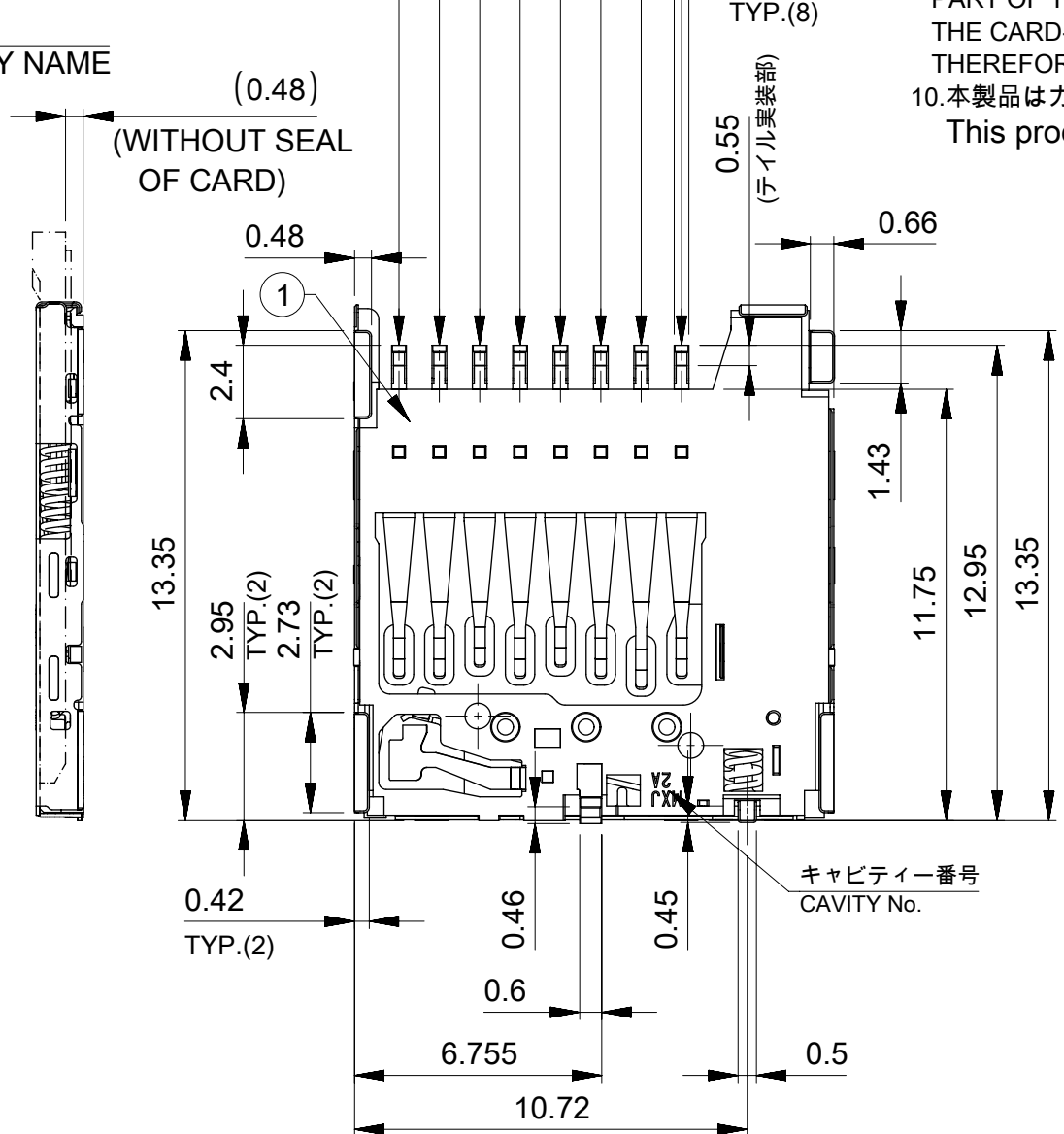
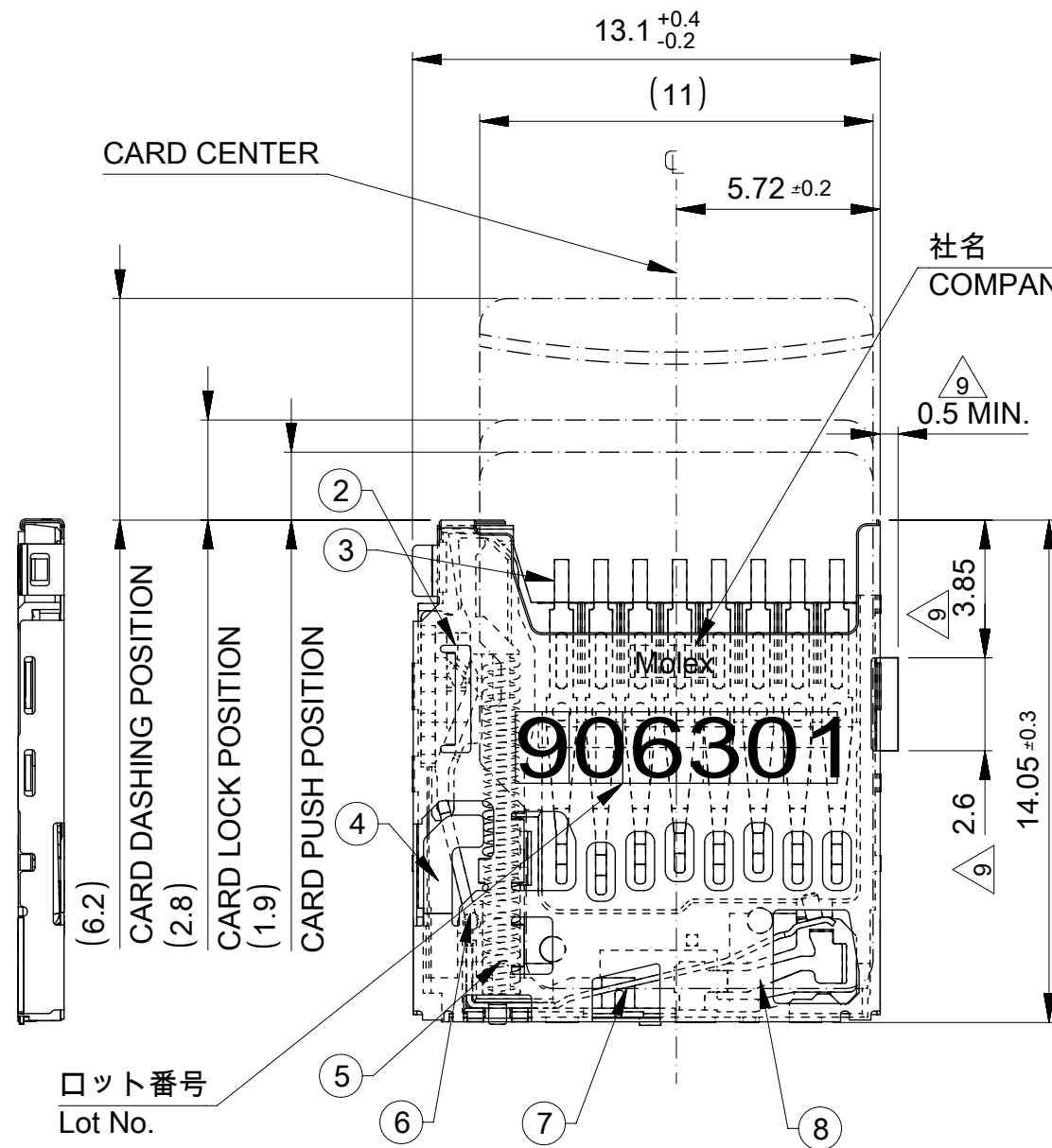
- 1.ターミナル及びネイルの平坦度は0.1 MAX.  
(測定用定板面を基準)
- △2 TERMINAL AND NAIL COPLANARITY TO BE 0.1 MAX.(FROM GAUGE PLANE)
- 2 スタンドオフ寸法 STAND OFF
- △3 パターン禁止エリア PATTERN PROHIBITION AREA
- 4.カード検知スイッチ DETECT SWITCH

カード挿入時 CARD INSERTING POSITION	クローズ CLOSE
カード未挿入時 NO CARD	オープン OPEN

- 5.肉抜き位置は任意とする。CAVITY IS TO BE OPTIONAL.
- 6.ロット印字は任意とする。LOT NUMBERING IS TO BE OPTIONAL.
- △7 GND 推奨パターン GND RECOMMENDED PATTERN.
- 8.ELV 及びRoHS適合品 ELV AND RoHS COMPLIANT.
- △9 カード裏挿し誤挿入時、カード突出エリア  
(他の部品の設置、非推奨範囲)

WHEN A CARD IS MISS-MATED IN THE REVERSE ORIENTATION, PART OF THE CARD PROTRUDES FROM THE SHELL DUE TO THE CARD-MISS MATING PREVENTION FEATURE. THEREFORE, NO COMPONENTS ARE ALLOWED TO BE PLACED IN THIS AREA.

10.本製品はカード排出性向上品です。  
This product is card ejection performance improvement type.



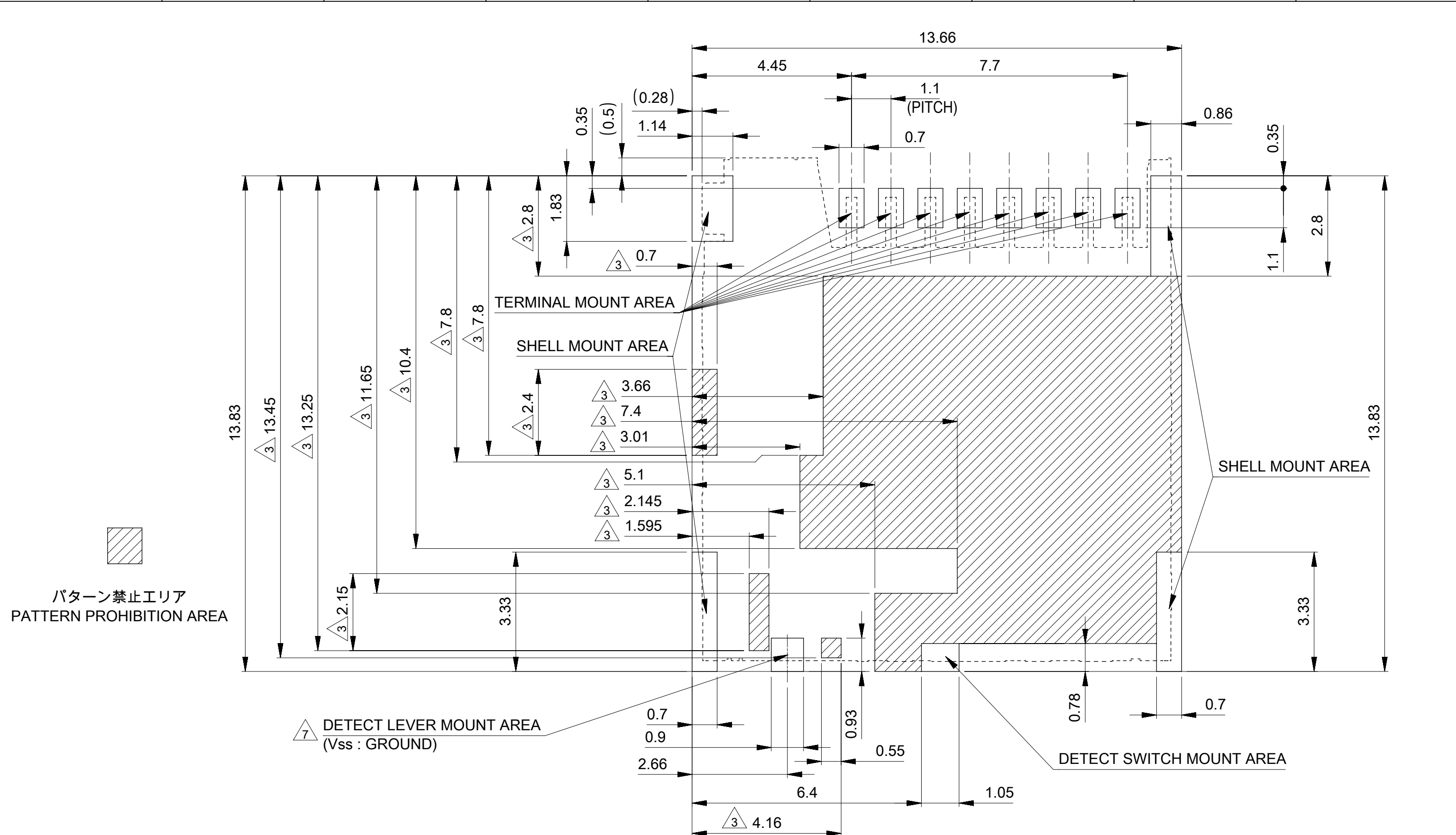
109011C

1 : Year(2011)  
09: Month(9)  
01: Day(1)  
1 : Line No.

IDENTIFICATION MARK  
C : 503398-1892(ORDER NO.)

503398-1892	8
EMBOSSED PACKAGE	極数
オーダー番号 ORDER NO.	CIRCUITS
CONNECTOR SERIES No. 503398-1821	

GENERAL TOLERANCES: (UNLESS SPECIFIED) 一般公差		THIS DRAWING CONTAINS INFORMATION THAT IS PROPRIETARY TO MOLEX ELECTRONIC TECHNOLOGIES, LLC AND SHOULD NOT BE USED WITHOUT WRITTEN PERMISSION	
10 UNDER 未満	±0.2	DIMENSION UNITS	SCALE
10 OVER 以上	±0.25	mm	---
30 UNDER 未満	±0.25	GENERAL TOLERANCES (UNLESS SPECIFIED)	
30 OVER 以上	±0.3	ANGULAR TOL	± 1.0°
ANGLE 角度	±3°	4 PLACES	± 0.2
		3 PLACES	± 0.25
		2 PLACES	± 0.3
		1 PLACE	± 0.2
		0 PLACES	± 0.2
DRAFT WHERE APPLICABLE MUST REMAIN WITHIN DIMENSIONS		THIRD ANGLE PROJECTION	DRAWING
			A3-SIZE
		SERIES	503398
		MATERIAL NUMBER	SEE CHART
		CUSTOMER	GENERAL MARKET
		SHEET NUMBER	1 OF 3



RECOMMENDED  
PCB PATTERN LAYOUT  
(GENERAL TOLERANCE : ±0.05)

GENERAL TOLERANCES: (UNLESS SPECIFIED) 一般公差		THIS DRAWING CONTAINS INFORMATION THAT IS PROPRIETARY TO MOLEX ELECTRONIC TECHNOLOGIES, LLC AND SHOULD NOT BE USED WITHOUT WRITTEN PERMISSION	
10 UNDER 未満	±0.2	DIMENSION UNITS	SCALE
10 OVER 以上	±0.25	mm	---
30 UNDER 未満	±0.25	CURRENT REV DESC: DRAWING CORRECTION	
30 OVER 以上	±0.3	EC NO: 604656	
ANGLE 角度	±3°	DRWN: RMV02 2018/09/11	
		CHK'D: GGA 2018/09/28	
		APPR: GGA 2018/09/28	
		INITIAL REVISION:	
		DRWN: YGOTO 2011/12/13	
		APPR: YOITO 2011/12/16	
		DOCUMENT NUMBER	
		SD-503398-003	
		DOC TYPE	
		PSD	
		DOC PART	
		001	
		REVISION	
		A2	
		MATERIAL NUMBER	
		SEE CHART	
		CUSTOMER	
		GENERAL MARKET	
		SHEET NUMBER	
		2 OF 3	



10 9 8 7 6 5 4 3 2 1

F

E

D

C

B

A

F

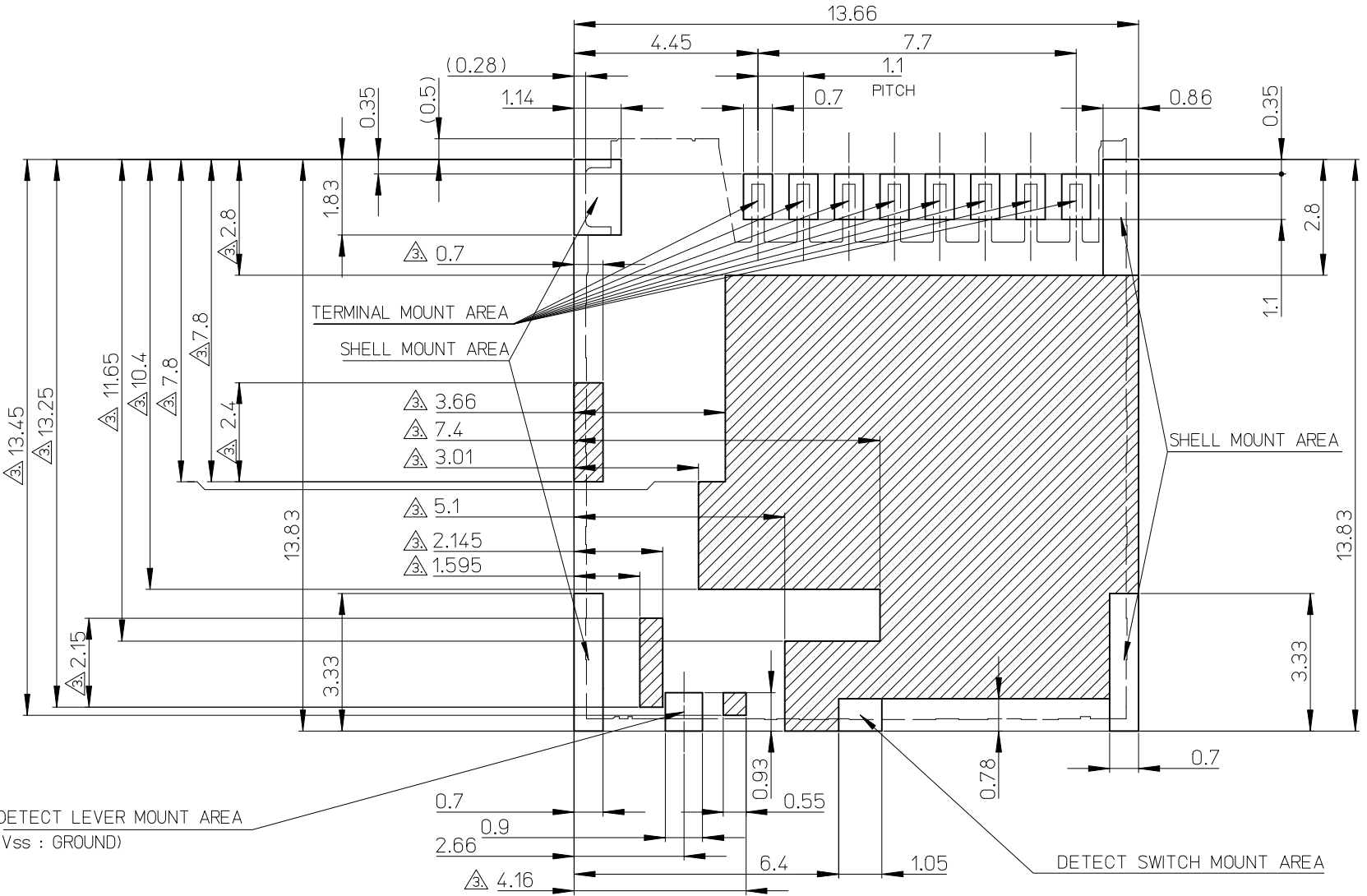
E

D

C

B

A



  
 パターン禁止エリア  
 PATTERN PROHIBITION AREA

 DETECT LEVER MOUNT AREA  
 (Vss : GROUND)

DETECT SWITCH MOUNT AREA

RECOMMENDED  
PCB PATTERN LAYOUT  
 (GENERAL TOLERANCE : ±0.05)

REVISED EC NO: J2017-0374 DRWN: YHONDA01 2017/01/17 CHKD: TASAKAWA 2017/01/17 APPR: IKUSUHARA01 2017/01/17	GENERAL TOLERANCES (UNLESS SPECIFIED)			DIMENSION STYLE MM ONLY		SCALE ---	DESIGN UNITS METRIC	THIRD ANGLE PROJECTION	
	0.25 UNDER	UNDER	±0.03	DRAWN BY	DATE	TITLE			
	0.25 OVER	0.5 UNDER	±0.05	YGOTO	2011/12/13	MICRO SD CONN. PUSH/PUSH & NORMAL SUPER-SMALL TYPE <b>molex</b>			
	0.5 OVER	1.0 UNDER	±0.1	CHECKED BY	DATE				
1.0 OVER	10 UNDER	±0.2	MTOMITA	2011/12/13	MATERIAL NO. <b>SD-503398-003</b>				
10 OVER	30 UNDER	±0.25	APPROVED BY	DATE					
30 OVER		±0.3	YOITO	2011/12/16	DOCUMENT NO.				
ANGULAR	±1 °		SEE CHART		SHEET NO. 2 OF 3				
DRAFT WHERE APPLICABLE MUST REMAIN WITHIN DIMENSIONS			SIZE A3	THIS DRAWING CONTAINS INFORMATION THAT IS PROPRIETARY TO MOLEX ELECTRONIC TECHNOLOGIES, LLC AND SHOULD NOT BE USED WITHOUT WRITTEN PERMISSION					

9 8 7 6 5 4 3 2 1

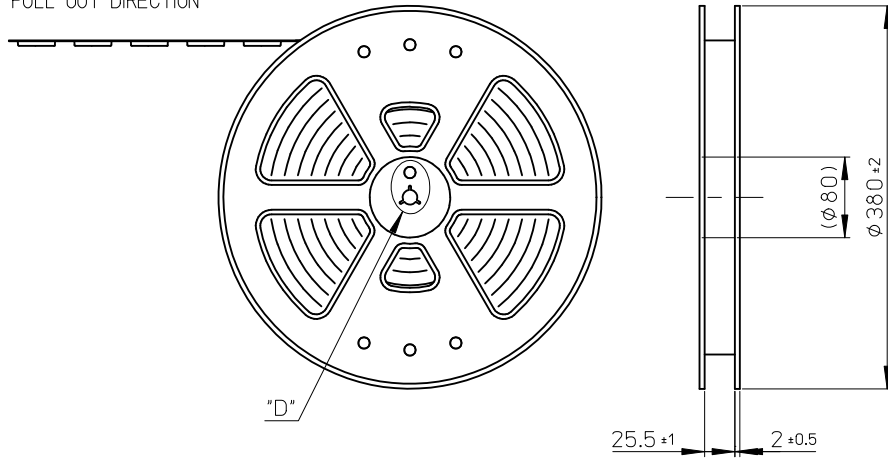
番号 NO.	名称 NAME	材料 MATERIAL	仕上げ(めっき) FINISHES (PLATING)
①	ハウジング HOUSING	液晶ポリマー(LCP)、ガラス充填、UL94 V-0、黒 LIQUID CRYSTAL POLYMER (LCP), GLASS FILLED, UL94 V-0, BLACK ポリプラスチック製 VECTRA S475 VECTRA S475 MADE OF POLYPLASTICS	
②	カムスライダ CAM SLIDER	液晶ポリマー(LCP)、ガラス充填、UL94 V-0、黒 LIQUID CRYSTAL POLYMER (LCP), GLASS FILLED, UL94 V-0, BLACK ポリプラスチック製 VECTRA E130i VECTRA E130i MADE OF POLYPLASTICS	
③	ターミナル TERMINAL	燐青銅 C52100(±0.15) PHOSPOHR BRONZE C52100(±0.15)	接触部: 金めっき (0.5µm MIN.) テール部: 錫めっき (2.0µm MIN.) 下地: ニッケルめっき (1.0µm MIN.) CONTACT AREA: GOLD PLATING (0.5 MICROMETER MINIMUM.) SOLDER TAIL AREA: TIN PLATING (2.0 MICROMETER MINIMUM.) UNDERPLATE: NICKEL OVERALL (1.0 MICROMETER MINIMUM.)
④	シェル SHELL	ステンレス鋼 SUS301(±0.1) STAINLESS STEEL SUS301(±0.1)	基板実装部: 金めっき (0.02µm MIN.) 下地: ニッケルめっき (0.5µm MIN.) NAIL AREA: GOLD PLATING (0.02 MICROMETER MINIMUM.) UNDERPLATE: NICKEL OVERALL (0.5 MICROMETER MINIMUM.)
⑤	スプリング SPRING	ピアノ線 SWP	全面: ニッケルめっき (3.0µm MIN.) NICKEL OVERALL (3.0 MICROMETER MINIMUM.)
⑥	ピン PIN	ステンレス鋼 SUS304 STAINLESS STEEL SUS304	
⑦	ディテクト レバー DETECT LEVER	燐青銅 C52100(±0.15) PHOSPOHR BRONZE C52100(±0.15)	接触部: 金めっき (0.2µm MIN.) 基板実装部: 金めっき 下地: ニッケルめっき CONTACT AREA: GOLD PLATING (0.2 MICROMETER MINIMUM.) NAIL AREA: GOLD PLATING UNDERPLATE: NICKEL OVERALL
⑧	ディテクト スイッチ DETECT SWITCH	燐青銅 C52100(±0.15) PHOSPOHR BRONZE C52100(±0.15)	接触部: 金めっき (0.2µm MIN.) 基板実装部: 金めっき 下地: ニッケルめっき CONTACT AREA: GOLD PLATING (0.2 MICROMETER MINIMUM.) NAIL AREA: GOLD PLATING UNDERPLATE: NICKEL OVERALL

REVISED EC NO: J2017-0374 DRWN: HONDA01 2017/01/17 CHKD: TASAKAWA 2017/01/17 APPR: KUSUHARA01 2017/01/17	GENERAL TOLERANCES (UNLESS SPECIFIED)			DIMENSION STYLE MM ONLY		SCALE 1:1	DESIGN UNITS METRIC	THIRD ANGLE PROJECTION
	<del>0.25 UNDER UNDER ±0.03</del>			DRAWN BY DATE		TITLE		
	<del>0.25 OVER 0.5 UNDER ±0.05</del>			YGOTO 2011/12/13		MICRO SD CONN. PUSH/PUSH & NORMAL SUPER-SMALL TYPE <b>molex</b>		
	<del>0.5 OVER 1.0 UNDER ±0.1</del>			CHECKED BY DATE				
	<del>1.0 OVER 10 UNDER ±0.2</del>			MTOMITA 2011/12/13		DOCUMENT NO. SD-503398-003		
	10 OVER 30 UNDER ±0.25			APPROVED BY DATE		SHEET NO. 3 OF 3		
	30 OVER ±0.3			YOITO 2011/12/16		MATERIAL NO. SEE CHART		
	ANGULAR ±1 °			DRAFT WHERE APPLICABLE MUST REMAIN WITHIN DIMENSIONS		THIS DRAWING CONTAINS INFORMATION THAT IS PROPRIETARY TO MOLEX ELECTRONIC TECHNOLOGIES, LLC AND SHOULD NOT BE USED WITHOUT WRITTEN PERMISSION		
	A			SIZE A3				

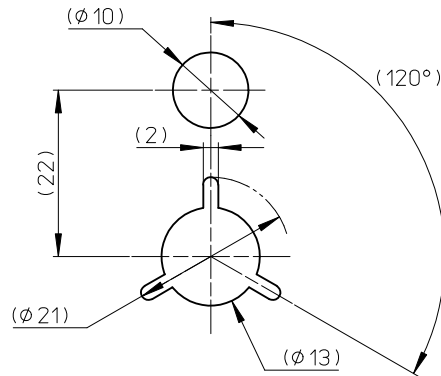
NOTES

- 製品詳細寸法については、SD 図面を参照下さい。  
RE DETAILED DIMENSION, SEE SALES DRAWING.
- 梱包数量: 2400個/リール  
NUMBER OF CONNECTORS: 2400 PCS/REEL.
- リードテープ長さ LEAD TAPE LENGTH.

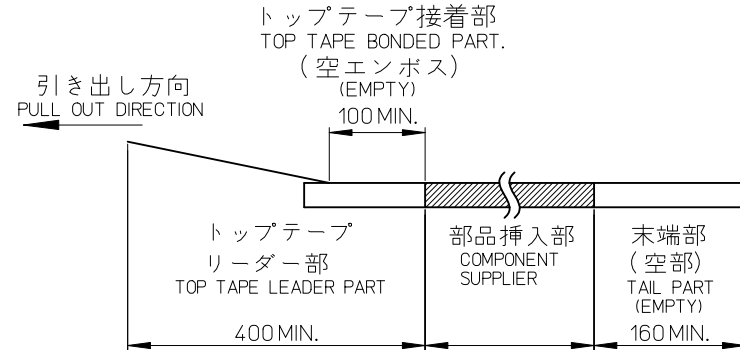
引き出し方向  
PULL OUT DIRECTION



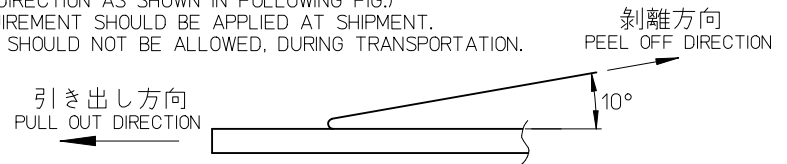
"D"



DETAIL "D"



- トップテープの剥離強度: JIS C0806-3に準拠(剥離方向は下図参照)  
尚、本規格値は出荷時に適用。(但し、輸送時に剥離が発生しないこと。)  
PEELING OFF FORCE OF TOP TAPE: BASED UPON JIS C0806-3  
(PEELING DIRECTION AS SHOWN IN FOLLOWING FIG.)  
THIS REQUIREMENT SHOULD BE APPLIED AT SHIPMENT.  
PEEL OFF SHOULD NOT BE ALLOWED, DURING TRANSPORTATION.

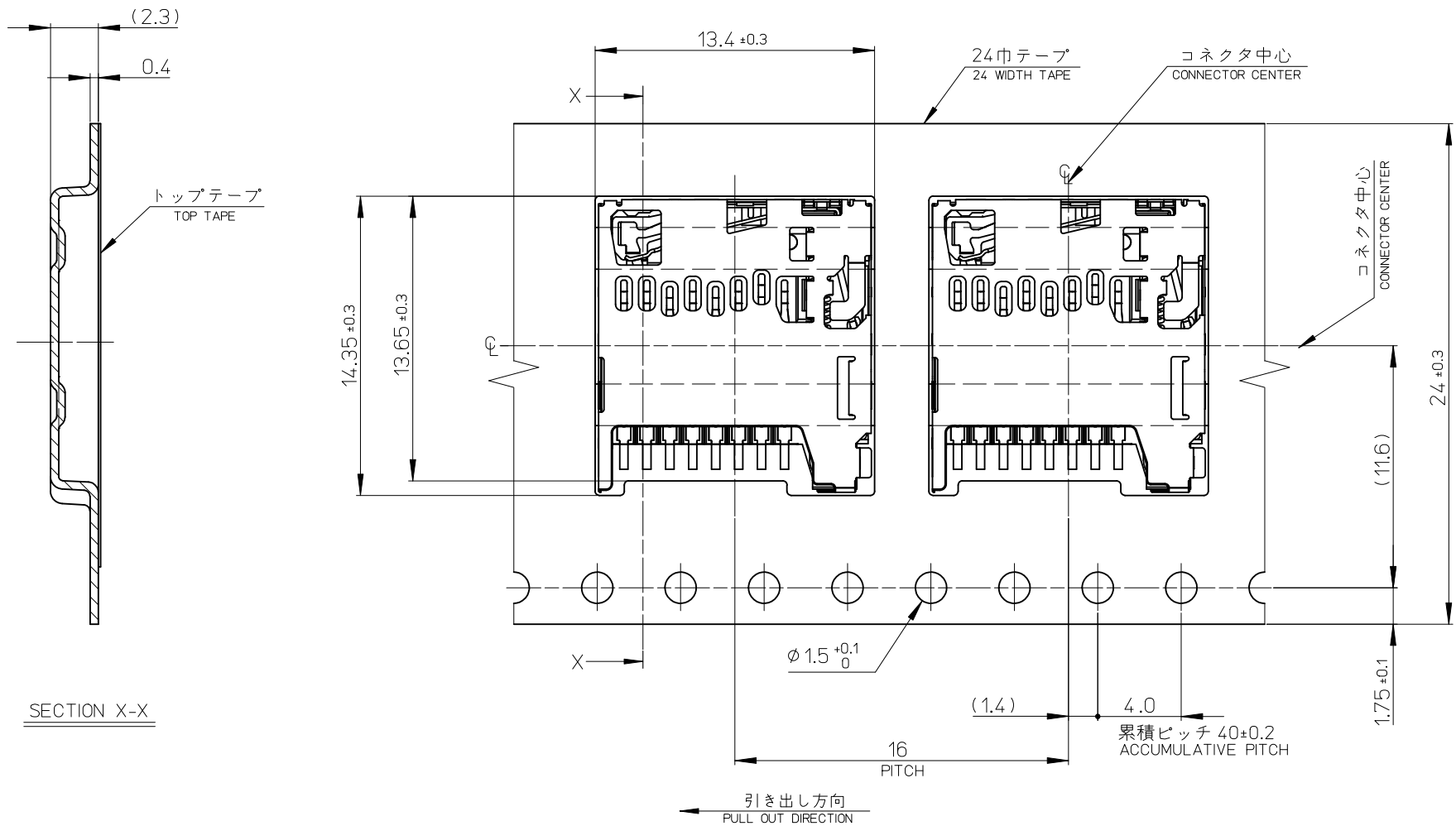


- 材料 MATERIAL  
キャリアテープ (CARRIER TAPE): ポリスチレン (POLYSTYRENE)  
トップテープ (TOP TAPE): PET, PE, PEF  
リール (REEL): ポリスチレン (PS) <リサイクル材含む>  
POLYSTYRENE (PS) <RECYCLE MATERIAL CONTAINED>

503398-1892	8
EMBOSSED PACKAGE	極数
オーダー番号 ORDER NO.	CIRCUITS
CONNECTOR SERIES No. 503398-1821	

RELEASED EC NO.: J2012-0534 DRWN: YGOTO CHKD: MTOMITA APPR: YOITO O	DESCRIPTION 2011/12/13 2011/12/13 2011/12/16	GENERAL TOLERANCES (UNLESS SPECIFIED)		DIMENSION STYLE MM ONLY		SCALE 1:1	DESIGN UNITS METRIC	THIRD ANGLE PROJECTION		
		10 UNDER	±0.2	DRAWN BY YGOTO	DATE 2011/12/13	TITLE EMBOSSED TAPE PACKAGE FOR 503398-18**				
		10 OVER 30 UNDER	±0.25	CHECKED BY MTOMITA	DATE 2011/12/13	MATERIAL NO. SEE CHART				
		30 OVER	±0.3	APPROVED BY YOITO	DATE 2011/12/16	DOCUMENT NO. SD-503398-004				
ANGULAR ±1 °		DRAFT WHERE APPLICABLE MUST REMAIN WITHIN DIMENSIONS		SIZE A3		SHEET NO. 1 OF 2				

10 9 8 7 6 5 4 3 2 1



RELEASED EC NO: J2012-0534 DRWN: YGOTO CHKD: MTOMITA APPR: YOITO 0	2011/12/13 2011/12/13 2011/12/16	GENERAL TOLERANCES (UNLESS SPECIFIED)		DIMENSION STYLE MM ONLY		SCALE ---	DESIGN UNITS METRIC	THIRD ANGLE PROJECTION		
	10 UNDER ± 0.2		DRAWN BY DATE YGOTO 2011/12/13		TITLE EMBOSSED TAPE PACKAGE FOR 503398-18**					
	10 OVER 30 UNDER ± 0.25		CHECKED BY DATE MTOMITA 2011/12/13		MOLEX INCORPORATED					
	30 OVER ± 0.3		APPROVED BY DATE YOITO 2011/12/16		MATERIAL NO. SEE CHART		DOCUMENT NO. SD-503398-004		SHEET NO. 2 OF 2	
	ANGULAR ± 1 ° DRAFT WHERE APPLICABLE MUST REMAIN WITHIN DIMENSIONS		SIZE A3		THIS DRAWING CONTAINS INFORMATION THAT IS PROPRIETARY TO MOLEX INCORPORATED AND SHOULD NOT BE USED WITHOUT WRITTEN PERMISSION					