

4

3

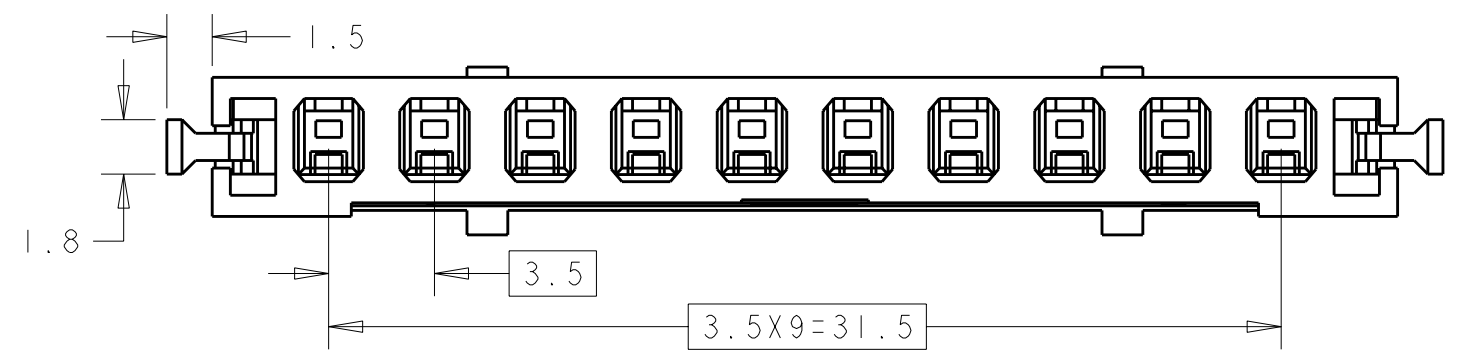
2

1

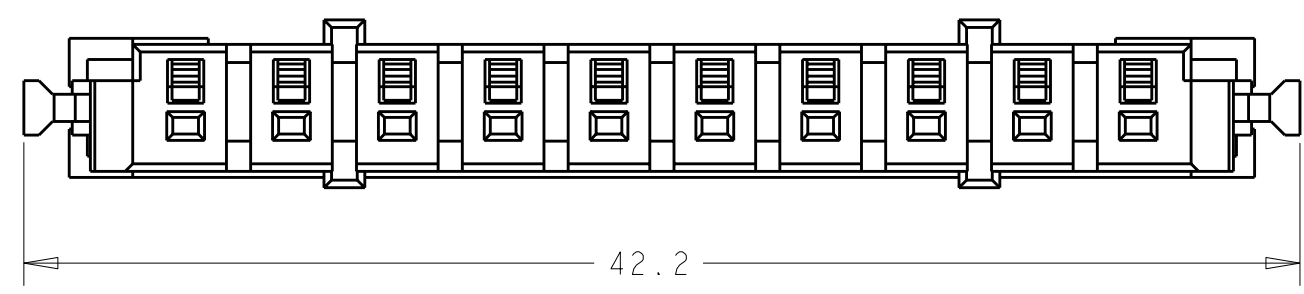
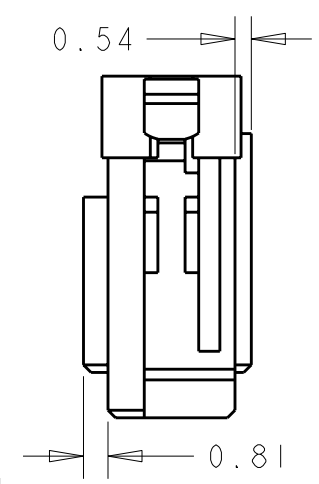
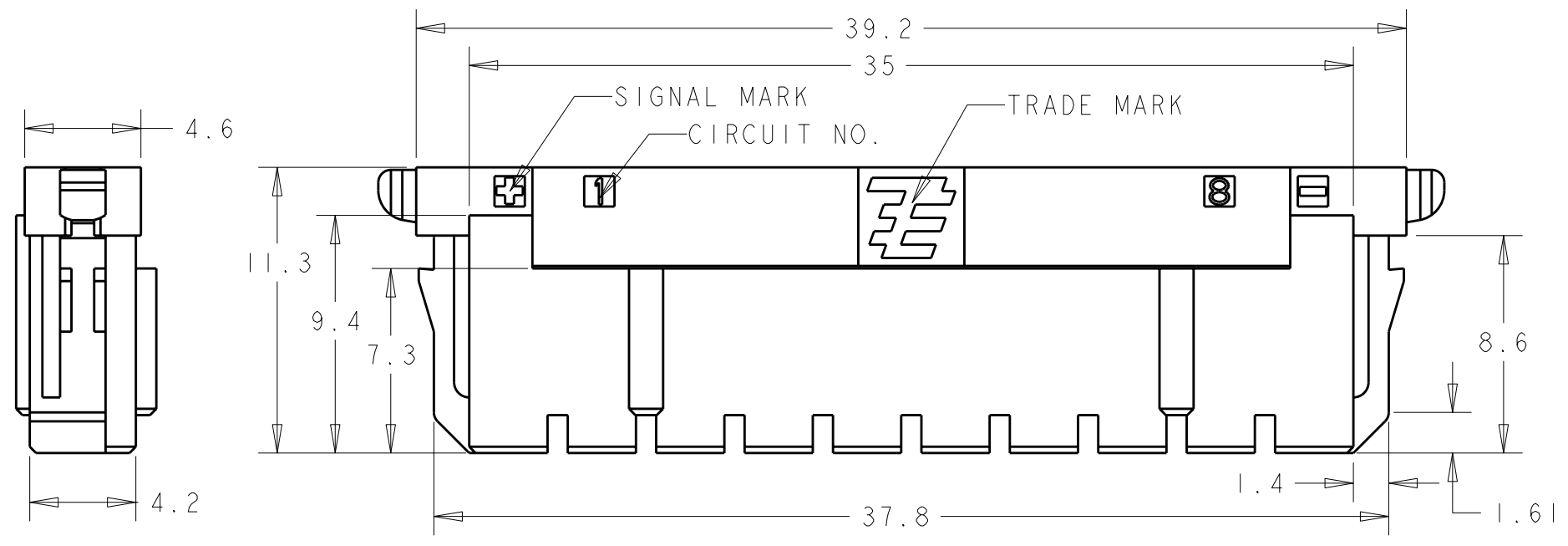
THIS DRAWING IS UNPUBLISHED. RELEASED FOR PUBLICATION 20  
 © COPYRIGHT 20 BY TYCO ELECTRONICS CORPORATION. ALL RIGHTS RESERVED.

LOC ES DIST 00

REVISIONS					
P	LTR	DESCRIPTION	DATE	DWN	APVD
	D	RELEASE	30JUL2008	DC	JZ
	D1	ECR-09-017652	6AUG2009	LL	JZ
	D2	ECR-11-013739	01JUL2011	LL	SL



NOTE:  
 1. MATERIAL: PBT UL94V-0  
 2. COLOR: BLACK  
 3. GENERAL TOL: +/-0.25.



THIS DRAWING IS A CONTROLLED DOCUMENT FOR TYCO ELECTRONICS CORPORATION  
 IT IS SUBJECT TO CHANGE AND THE CONTROLLING ENGINEERING ORGANIZATION  
 SHOULD BE CONTACTED FOR THE LATEST REVISION.

DIMENSIONS: mm		TOLERANCES UNLESS OTHERWISE SPECIFIED:	
		0 PLC	±
		1 PLC	±
		2 PLC	±
		3 PLC	±
		4 PLC	±
MATERIAL -		ANGLES	±
		FINISH	-

DWN	30JUL2008
CHK	DIGO CHEN
CHK	30JUL2008
CHK	SAM WU
APVD	30JUL2008
APVD	JULIAN ZHOU
PRODUCT SPEC	108-106027
APPLICATION SPEC	-
WEIGHT	-
CUSTOMER DRAWING	

Tyco Electronics Shanghai China		NAME		RESTRICTED TO	
		REC 10P PLUG HOUSING FOR JUNCTION BOX DI500			
SIZE	CAGE CODE	DRAWING NO			
A3	00779	C-1971150			
SCALE		SHEET		OF	REV
4:1		1		1	D2

# Mouser Electronics

Authorized Distributor

Click to View Pricing, Inventory, Delivery & Lifecycle Information:

[TE Connectivity:](#)

[1971150-1](#)