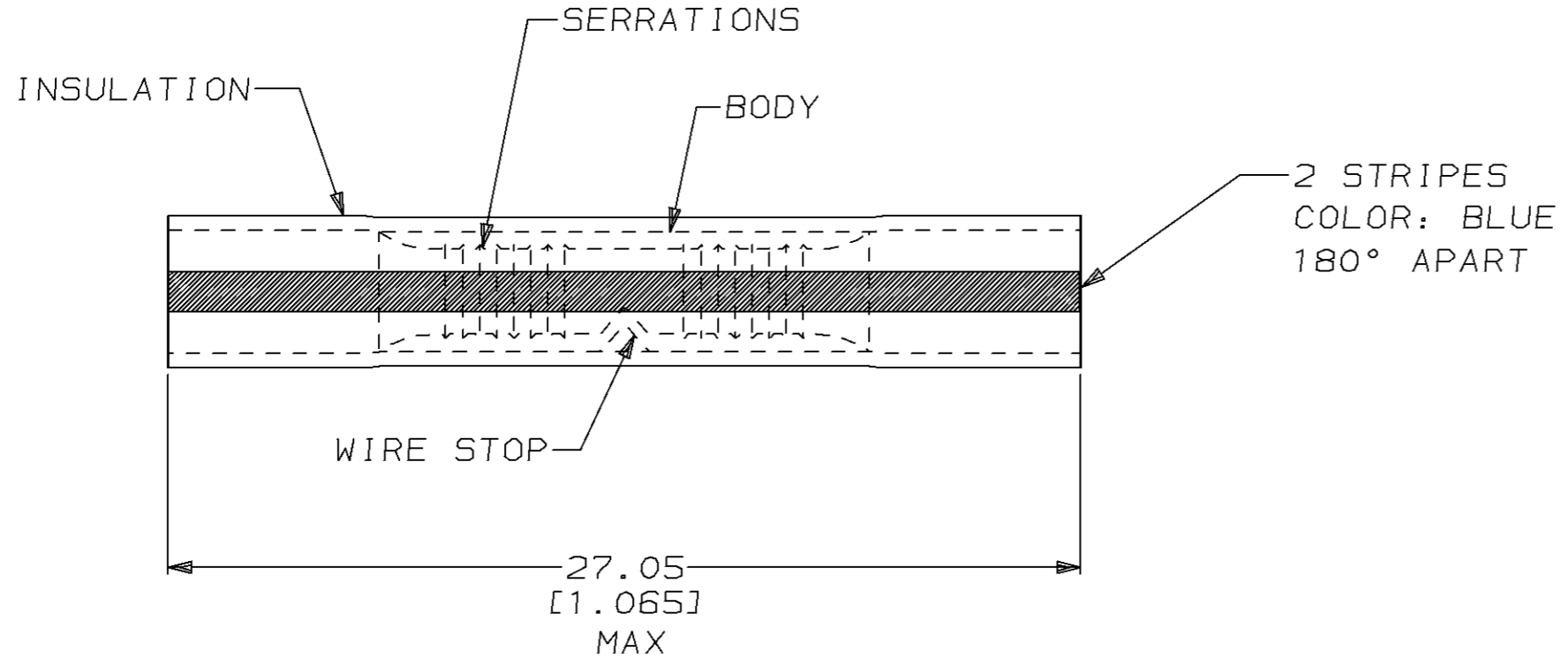


THIS DRAWING IS UNPUBLISHED. RELEASED FOR PUBLICATION, 19 .  
 © COPYRIGHT 19 BY AMP INCORPORATED. ALL INTERNATIONAL RIGHTS RESERVED.

LOC	DIST	P	F	REVISIONS				
G	14			ZONE	LTR	DESCRIPTION	DATE	APPD
					C	REV / 0720-0612-95	31MAY95	ME SB

PART NO	PACKAGE TYPE	QTY
8-55785-1	LOOSE PIECE, BOX	100
8-55785-4	LOOSE PIECE, BLS	5
8-55785-5	LOOSE PIECE, BAG	25
9-55785-4	LOOSE PIECE, BLS	25

1. WIRE INSUL DIA, 2.92-4.32 [.115-.170]



2500	ON TAPE, REEL	BODY: COPPER PER ASTM B-152 TIN PL 0.00254 [.000100] MIN THK PER MIL-T-10727	55785-2
1000	LOOSE PIECE	INSULATION: VINYL COLOR: TRANSPARENT	55785-1
QTY	PACKAGE TYPE	MATERIAL & FINISH	PART NO
DO NOT SCALE PRINT. UNLESS SPECIFIED DIMENSIONS IN mm [INCHES] TOLERANCES ON: 2 PLC DEC ± - 3 PLC DEC ± - ANGLES ± -		DR 4/12/90 DK SCHRUM CHK 4/16/90 MS FEHER APPD 4/17/90 PJ RUELIUS APPD 4/17/90 TL SHUTTER PRODUCT SPEC UL 486A	<b>AMP</b> AMP Incorporated Harrisburg, PA 17105-3608 NAME SPLICE, BUTT, PLASTI-GRIP™ WIRE SIZE, 16-14 AWG
MATERIAL SEE TABLE		APPLICATION SPEC -	
FINISH SEE TABLE		WEIGHT -	SIZE <b>B</b> CAGE CODE 00779 DRAWING NO <b>C-55785</b> SCALE 5:1 SHEET 1 OF 1

THIS DRAWING IS A CONTROLLED DOCUMENT FOR AMP INCORPORATED. IT IS SUBJECT TO CHANGE AND THE CONTROLLING ENGINEERING ORGANIZATION SHOULD BE CONTACTED FOR THE LATEST REVISION.

# Mouser Electronics

Authorized Distributor

Click to View Pricing, Inventory, Delivery & Lifecycle Information:

[TE Connectivity:](#)

[55785-2](#) [8-55785-1](#)