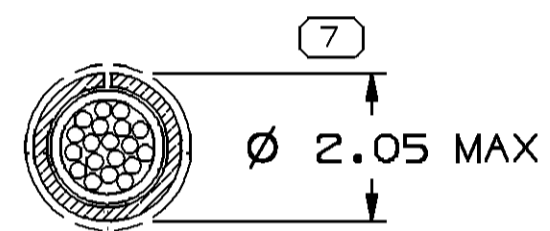
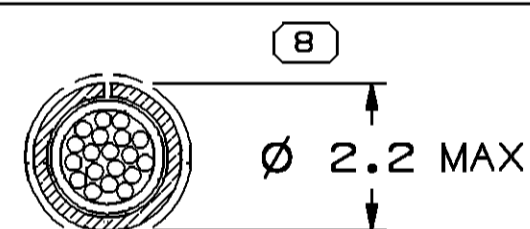
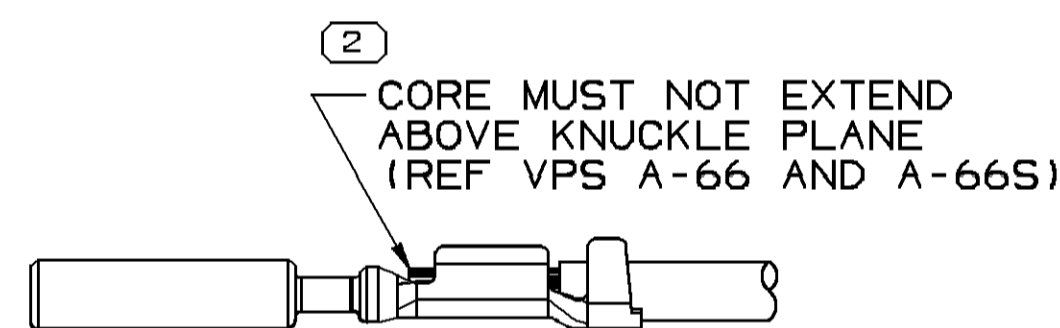


SEE P/N BLOCK FOR COMPLETE CABLE DIAMETER RANGE



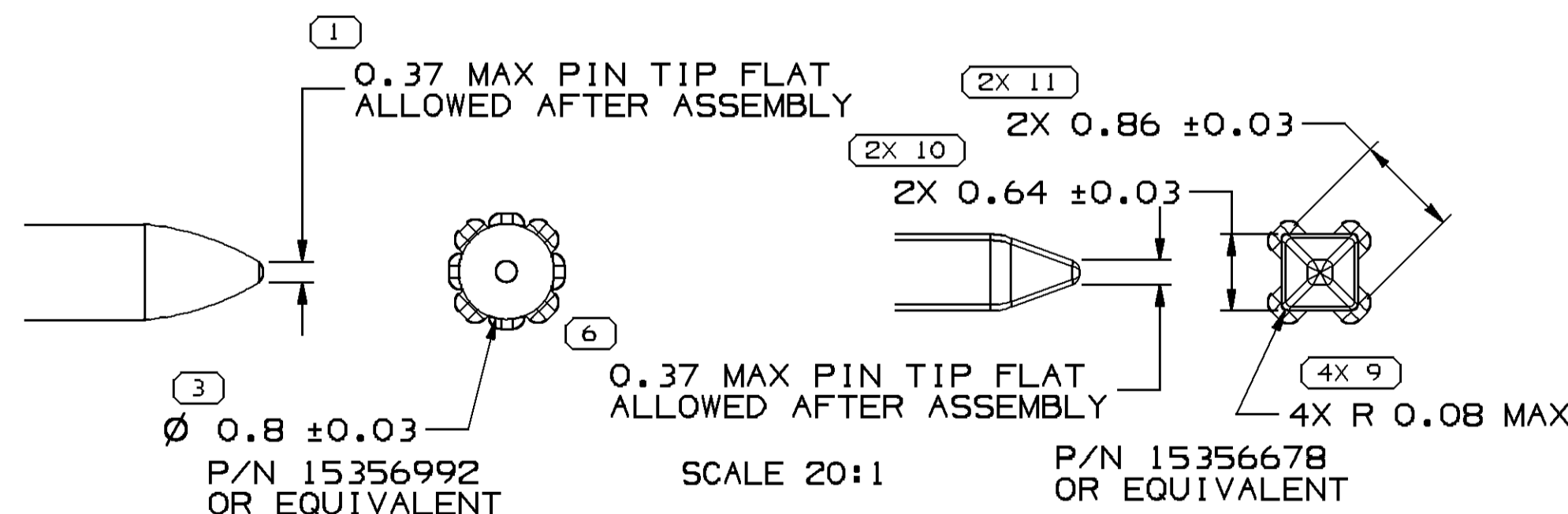
MAXIMUM INSULATION CRIMP DIMENSIONS

MAXIMUM CABLE INSULATION DIAMETER TO BE USED IS 1.9 MM REF ES-M-3292 OR EQUIVALENT SPECIFICATION



OPTIONAL CONSTRUCTION: MAXIMUM CABLE INSULATION DIAMETER TO BE USED IS 2.2 mm (0.5 mm<sup>2</sup> CORE) (SEE NOTE #4)

CRIMP STRAIGHTNESS AND CORE RESTRICTIONS



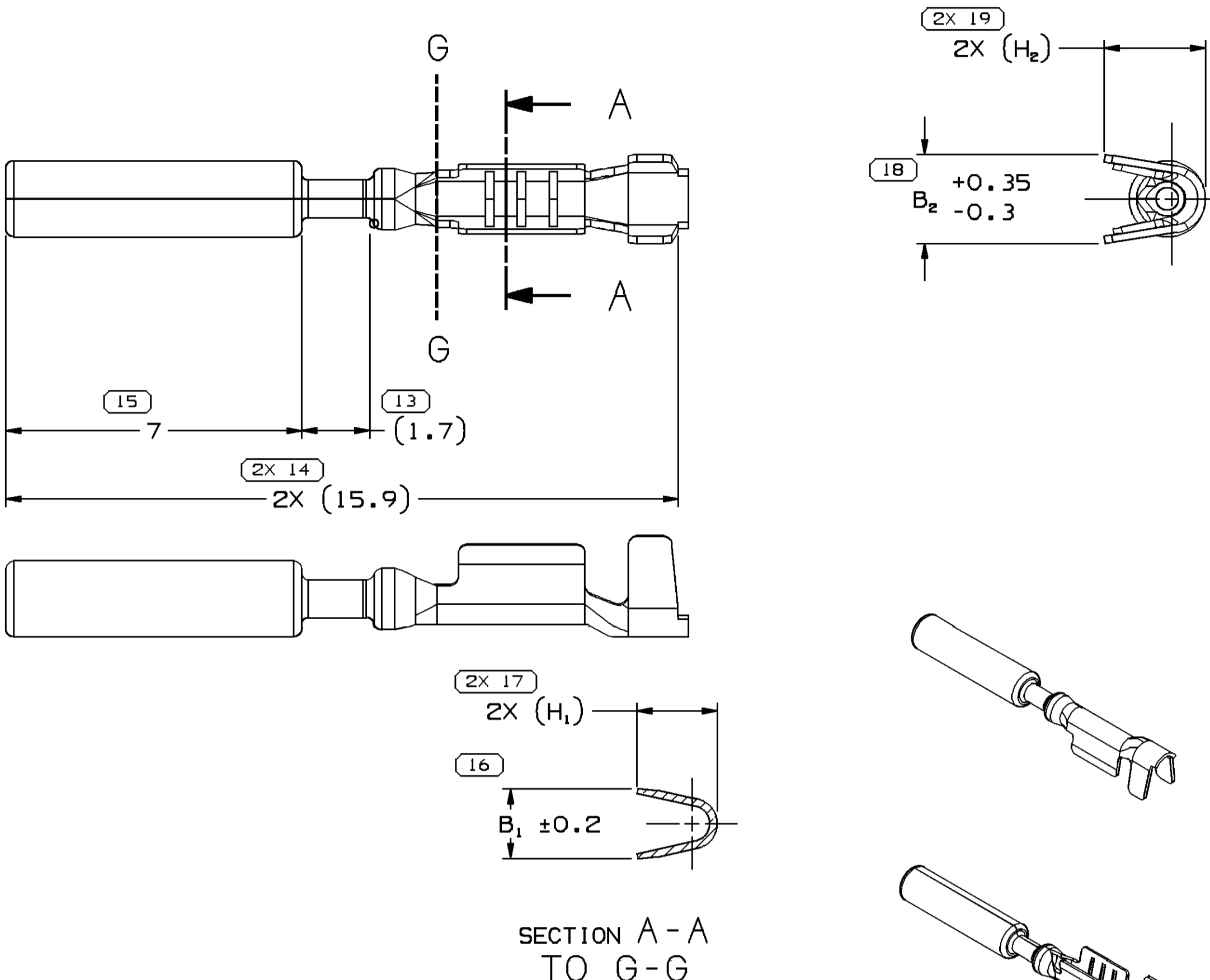
MATING PIN DESIGNS

REFER TO SPECIFIC PIN DRAWINGS FOR COMPLETE REQUIREMENTS (I.E. MATERIAL, PLATING DIMENSIONS, ETC)

INSPECTION SYMBOLS SHOWN IN THESE VIEWS ARE FOR REFERENCE ONLY

PART NO	REV	N/P	MAT'L SIZE	MAT'L SPEC (PLATING)	SIZE (MM <sup>2</sup> )	ID	CABLE	DIA	B <sub>1</sub> ± 0.2	B <sub>2</sub> ± 0.3	(H <sub>1</sub> )	(H <sub>2</sub> )
13933575	01	AA	0.1778 X 30.48	METL NONFERROUS C19025 1/2 HD (SILVER)	0.35	22	1.63-1.47	1.65	2.1	1.9	2.4	
13737550	01	AC	0.1778 X 30.48	METL NONFERROUS C19025 1/2 HD (TIN)	0.13-0.22	25	0.95-0.81	1.4	1.7	1.5	1.6	
13576051	01	AC	0.1778 X 30.48	METL NONFERROUS C19025 1/2 HD (TIN)	0.22	24	1.1-1.3	1.4	1.7	1.5	1.6	
15359541	02	AH	0.1778 X 30.48	METL NONFERROUS C42500 1/2 HD (GOLD)	0.5-0.8	19	1.9-1.64	2.08	2.5	2.4	2.5	
15401440	03	AN	0.1778 X 30.48	METL NONFERROUS C19025 1/2 HD (TIN)	0.5-0.8	19	1.9-1.64	2.08	2.5	2.4	2.5	
15394147	03	AM	0.1778 X 30.48	METL NONFERROUS C19025 1/2 HD (TIN)	0.35	22	1.63-1.47	1.65	2.1	1.9	2.4	
15356827	04	AJ	0.1778 X 30.48	METL NONFERROUS C42500 1/2 HD (GOLD)	0.5-0.8	19	1.9-1.64 SEE NOTE #4	2.08	2.5	2.4	2.5	
15356826	04	AJ	0.1778 X 30.48	METL NONFERROUS C42500 1/2 HD (GOLD)	0.35	22	1.63-1.47	1.65	2.1	1.9	2.4	

SYMBOL DEFINITION		MISSING SYMBOLS	
A DIMENSION WITHOUT AN INSPECTION REPORT SYMBOL DOES NOT REQUIRE INSPECTION. IT MAY BE CONTROLLED ON THE INDIVIDUAL COMPONENT DRAWING.		TOTAL NO OF INSPECTIONS REQUIRED	27
		LAST NO. USED	19
		NO MISSING SYMBOL NUMBER	



VIEW SCALE DOES NOT REFLECT ACTUAL PART SIZE

NOTES

- UNLESS OTHERWISE SPECIFIED AND/OR INDICATED: DIMENSIONS ARE TO FACE OF VIEW SHOWN AND AUTOMATICALLY ROUNDED BY COMPUTER FOR INSPECTION. (SEE MATH MODEL FOR PRECISE DIMENSIONS.) FOR ALL OTHER DIMENSIONS NOT SHOWN BUT REQUIRED FOR TOOL BUILD, SEE MATH MODEL FOR PRECISE TOOL PATH DATA.
- MAXIMUM CURRENT CAPACITY IS 7 AMPS.
- MATING COMPONENTS: CONNECTOR 15356814 OR EQUIVALENT PIN (SEE MATING PIN DESIGN VIEWS)
- TERMINAL 15356827 MAY BE USED WITH 0.5 mm<sup>2</sup> CABLE UP TO 2.19 MAX O.D. THIS IS FOR A SPECIAL APPLICATION WHERE CONNECTOR CAVITIES ARE AT 3 MIN NOMINAL SPACING (REFERENCE CONNECTOR ASSEMBLY PE116214 OR PE128727 OR EQUIVALENT)
- DO NOT PROBE, TEST OR OTHERWISE CONTACT THE INTERIOR REGION (THE SPRING OR ANY MOVING PART) OF THIS TERMINAL. SEVERE DAMAGE CAN OCCUR, COMPROMISING THE PERFORMANCE OF THE ELECTRICAL INTERFACE.

DIMENSIONAL RANGE (MM)		CHART 'D'
FROM 0	TO 12	> 12
TOLERANCE UNLESS OTHERWISE SPECIFIED		
± 0.1		± 0.2
ANGULAR TOLERANCE ± 2°		

DWG STATUS		ZONE		REVISION HISTORY		AUTH	DR	APVD1	APVD2
DATE	STG	REV	N/P	CHG					
03MY00	R	001	-	-	ALL PARTS - RELEASED	000005	LOA	PHC	KG
19SE00	R	002	-	-	15394147 & 15401440 - RELEASED	000005	JMR	JMR	BTG
06N000	R	003	-	-	ALL PARTS REVISED. 15359541 - RELEASED REVISED MATING PIN DESIGNS.	204501	SHH	SHH	KG
18JA01	R	004	-	-	15394147 & 15401440 - MAT'L SPEC WAS M-1628	206006	TLD	TLD	BTG
23JA01	R	005	-	-	ALL PARTS - REVISED TOLERANCES, ADDED ALTERNATE CONSTRUCTION VIEW	206205	CJP	CJP	KG
23JA01	R	006	-	-	ALL PARTS - UPDATED PDM ATTRIBUTES, REVISED GRAPHICS	206881	CJP	CJP	KG
30AP01	R	007	-	-	ALL PARTS - UPDATED MAT'L SPEC IN CHART, (1.7) WAS 1.7 MIN	209072	JMR	JMR	KG
28SE01	R	008	-	-	ALL PARTS - UPDATED PDM ATTRIBUTES	215149	AMG	AMG	KG
24JL02	R	09	-	-	ALL PARTS - ADDED NOTE; REVISED GRAPHICS TO SHOW ROUND CRIMP	228371	MAC	MAC	KG
31JA03	R	10	-	-	ALL PARTS - UPDATED PDM ATTRIBUTES	231297	JVM	JVM	KG
23JA03	R	11	-	-	ALL PARTS - ADVANCED REVISION LEVEL	235918	LMB	LMB	TV
30JA04	R	12	-	-	15394147, 15401440 - REVISED CUSTOMER PRINT	250730	JEB	JEB	TV
04MR04	R	13	-	-	ALL PARTS - UPDATED PDM ATTRIBUTES; 15394147, 15401440 - REVISED CUSTOMER PRINT WAS REVISED CUSTOMER PRINT	252450	ADK	ADK	KG
01JL04	R	14	-	-	ALL PARTS - ADDED PIN TIP FLAT REQUIREMENT, NOTE #13, AND GAGE NUMBER.	256626	MJM	MJM	KG
14JA05	R	15	-	-	ALL PARTS - UPDATED FORMAT 15401440 - UPDATED PDM ATTRIBUTES	263237	BRB	BRB	KG
01DE05	R	16	-	-	ALL PARTS - UPDATED PDM ATTRIBUTES	274991	TS	TS	JS
02MR06	R	17	-	-	13576051 - RELEASED AND ALL PARTS - UPDATED PDM ATTRIBUTES	277466	JS	JS	KG
06FE07	R	18	-	-	15401440 - UPDATED PDM ATTRIBUTES	400433	JBD	AUG	EJH
06N008	R	19	-	-	13737550 - RELEASED	406681	HAD	JHP	HAD
22JA09	R	20	-	-	13737550 - UPDATED PDM ATTRIBUTES	407152	HAD	JVM	HAD
29SE09	R	21	-	-	ALL PARTS - REVISED NOTE # 4 REFERENCE CONNECTOR ASSEMBLY WAS 15461664	409049	FKV	FKV	KRG
19N010	R	22	-	-	15401440 & 15394147 - UPDATED PDM ATTRIBUTES	409944	DGL	DGL	TV
23DE11	R	23	-	-	13933575 - RELEASED	416518	CDL	RCC	CDL
15JA15	R	24	-	-	13576051 & 13933575 - UPDATED PART AVAILABILITY	428416	AHY	AHY	KG
03FE15	R	25	-	-	15356826 & 15356827 - UPDATED REVISION LEVEL AND 13576051 - UPDATED PART AVAILABILITY	428728	AHY	AHY	KG

INDICATES THAT PHYSICAL PARTS ARE NOT AVAILABLE FOR ORDERING.

PART NUMBERS THAT DO NOT HAVE A LINE PRESENT INDICATE THAT PHYSICAL PARTS ARE AVAILABLE FOR ORDERING.

CONTACT DELPHI SALES TO ASSURE AVAILABILITY OF PARTS.

DWG TYPE: PART DRAWING

STYLE: D

VOLUME (CPI):

DISTR CODE: D

UNLESS OTHERWISE SPECIFIED THIS DOCUMENT IS IN ACCORDANCE WITH ASME Y14.5M-1994 AS MODIFIED BY THE GM GLOBAL DIMENSIONING AND TOLERANCING ADDENDUM-2001. SEPARATE PATTERNS OF FEATURES MAY BE GAGED SEPARATELY REGARDLESS OF DATUM REFERENCES.

ALL DIMENSIONS ARE IN MILLIMETERS

REFERENCE:

THIRD ANGLE PROJECTION

DO NOT SCALE

USE MATH DATA

NX

**DELPHI**

DELPHI PACKARD ELECTRICAL/ELECTRONIC ARCHITECTURE

WARREN, OH

COPYRIGHT 2000 DELPHI CORPORATION AND/OR ITS AFFILIATES. ALL RIGHTS RESERVED.

THIS DRAWING IS THE PROPERTY OF DELPHI CORPORATION AND CONTAINS DELPHI CONFIDENTIAL INFORMATION. THE REPRODUCTION, DISTRIBUTION AND UTILIZATION OF THIS DOCUMENT OR ITS RELATED CAD MATH DATA, AS WELL AS COMMUNICATION OF ANY CONTENT TO OTHERS, WITHOUT EXPRESS AUTHORIZATION, IS PROHIBITED.

DATE:

DR: LUIS ORDUNA A. 03MY00

APVD1: P. H. CASTRILLON 04MY00

APVD2: K. GRZENA 26MY00

APVD3:

APVD4:

APVD5:

SUBSTANCES OF CONCERN AND RECYCLED CONTENT PER DELPHI 10949001

MATERIAL SEE CHART

DRAWING NAME: TAXI TERM F MICRO 64

DRAWING NUMBER: 15356828

SIZE: A1

SCALE: 10:1

FRAME NO: 1 OF 1

SHEET NO: 1 OF 2

STG: R

REV: 25

N/P: -

# Mouser Electronics

Authorized Distributor

Click to View Pricing, Inventory, Delivery & Lifecycle Information:

[Aptiv:](#)  
[15356827](#)