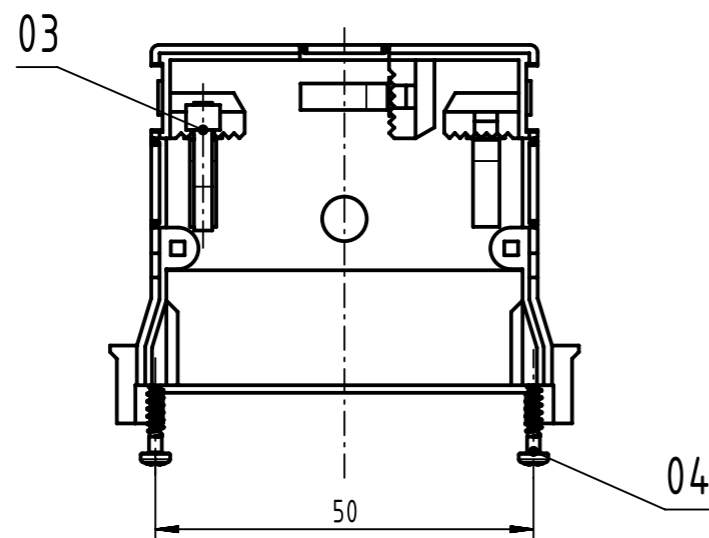


A

A

opened



parts not assembled				
content shell housing-set			spare parts	
pos.	qty.	description	part number	qty.
04	4	PT-screw 2.2x9.5 - PZ1	09060019974	1
03	1	cable tie		
02	1	cover		
01	1	shell		

	All Dimensions in mm Original Size DIN A3		Scale 1:1	Free size tol.		Ref. Sub. TB 09230480501 / 500000088815 / 2015-04-30	
	All rights reserved Department EC PD - DE		Created by HAGEMEYERE	Inspected by TADJE	Standardisation HOFFMANN	Date 2015-11-23	State Final Release
HARTING Electronics GmbH D-32339 Espelkamp		Title DIN Signal type 2C shell housing			Doc-Key / ECM-Nr. 100190912/UGD/002/C 500000097599		Rev. C
		Type TB	Number 09230480501		Page 1/1		

Mouser Electronics

Authorized Distributor

Click to View Pricing, Inventory, Delivery & Lifecycle Information:

[HARTING:](#)

[09230480501](#)