

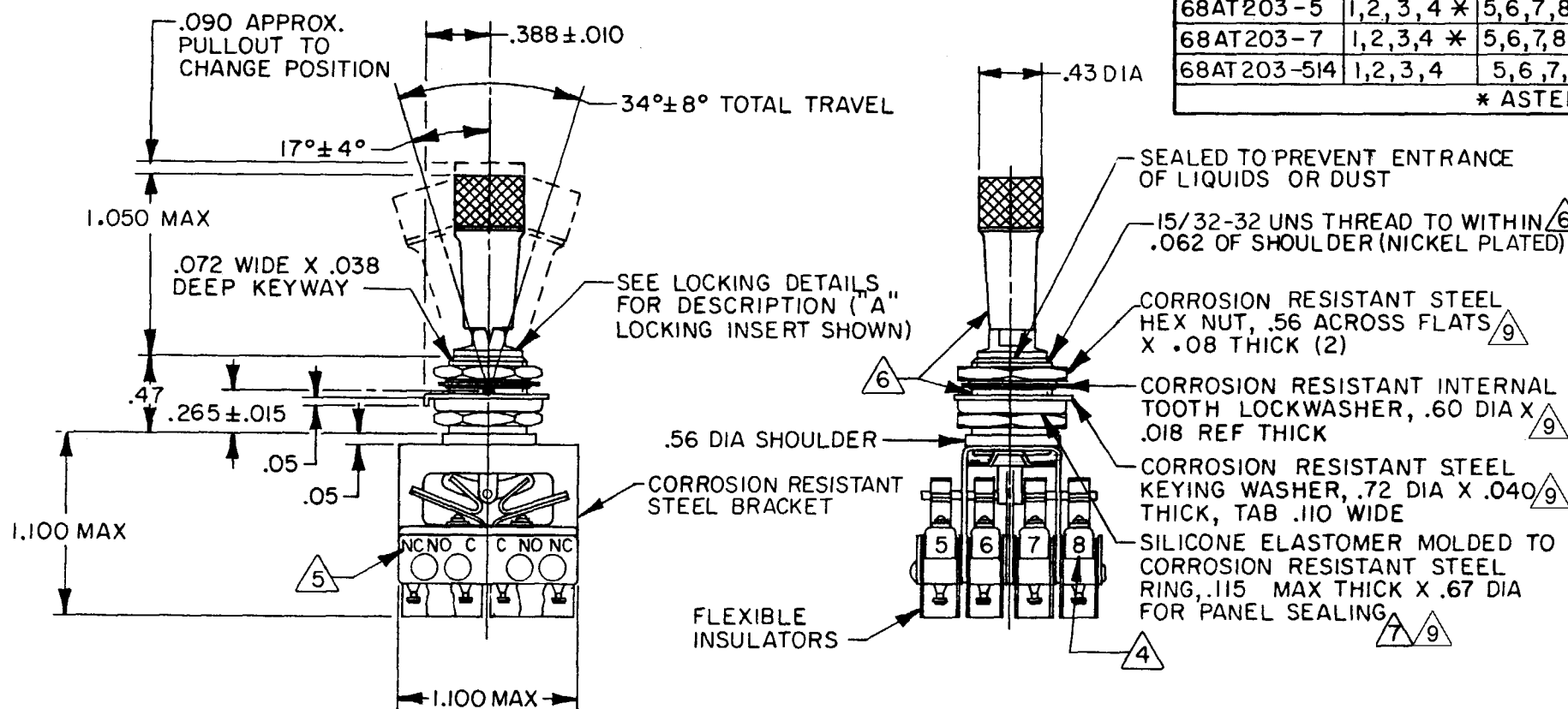
MICRO SWITCH
 FREEPORT, ILLINOIS, U.S.A.
 A DIVISION OF HONEYWELL
 FED. MFG. CODE 91929

**ASSEMBLY -
 TOGGLE SWITCH**

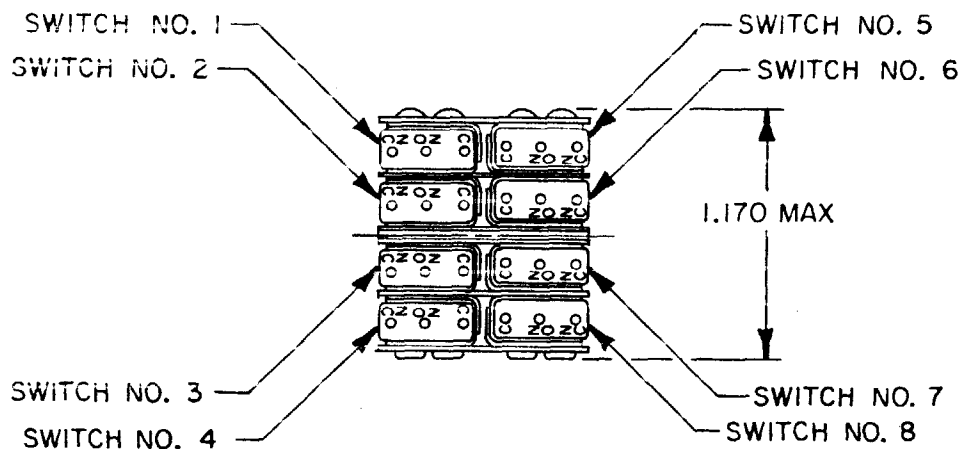
CATALOG LISTING
68AT203 SERIES
CHART 2

CATALOG LISTING	KEYWAY POSITION		CENTER POSITION		OPPOSITE KEYWAY POSITION		RECOMMENDED LOCKING COMBINATIONS
	C-NC	C-NO	C-NC	C-NO	C-NC	C-NO	
68AT203-1	1,2,3,4	5,6,7,8	ALL	NONE	5,6,7,8	1,2,3,4	A,B,C,D,E,F,G,H,I,J,K,L,M,N,P
68AT203-3	1,2,3,4	5,6,7,8	NONE	NONE	5,6,7,8	1,2,3,4	D, F, G
68AT203-5	1,2,3,4*	5,6,7,8*	ALL	NONE	5,6,7,8	1,2,3,4	E, F, K, L, M, N
68AT203-7	1,2,3,4*	5,6,7,8*	ALL	NONE	5,6,7,8*	1,2,3,4*	E, L, N
68AT203-514	1,2,3,4	5,6,7,8	ALL	NONE	5,6,7,8*	1,2,3,4*	B, E, G, L, N, P

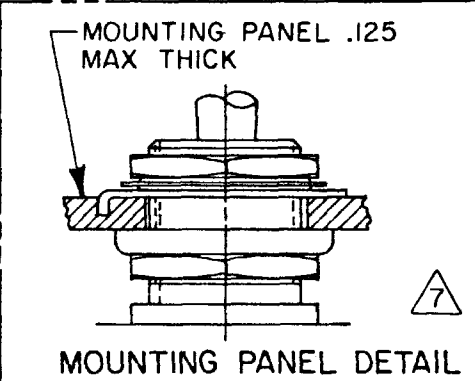
* ASTERISK DENOTES MOMENTARY POSITION



"A" LOCKED IN THREE POSITIONS	"B" LOCKED IN CENTER AND EXTREME POSITION (KEYWAY SIDE)	"D" LOCKED OUT OF CENTER POSITION	"E" LOCKED IN CENTER POSITION
"F" LOCKED IN EXTREME POSITION (OPPOSITE KEYWAY)	"G" LOCKED IN EXTREME POSITION (KEYWAY SIDE)	"H" LOCKED OUT OF CENTER AND EXTREME POSITION (KEYWAY SIDE)	"J" LOCKED OUT OF CENTER AND EXTREME POSITION (OPPOSITE KEYWAY)
"K" LOCKED IN CENTER AND EXTREME POSITION (OPPOSITE KEYWAY)	"L" LOCKED OUT OF EXTREME POSITION (KEYWAY SIDE)	"M" LOCKED OUT OF AND INTO EXTREME POSITION (OPPOSITE KEYWAY)	"N" LOCKED OUT OF EXTREME POSITION (OPPOSITE KEYWAY)
			"P" LOCKED OUT OF AND INTO EXTREME POSITION (KEYWAY SIDE)



- NOTES**
- UNIT INCLUDES "23SX39-T" TYPE BASIC SWITCH (8) MATING CONTACT SURFACES ARE 24K GOLD OVERLAY
 - SWITCHES DO NOT NECESSARILY OPERATE SIMULTANEOUSLY
 - TERMINALS ARE PLATED FOR SOLDERING
 - SWITCH NUMBERS STAMPED ON END OF BASIC SWITCHES
 - TERMINAL DESIGNATION STAMPED ON BOTH SIDES OF UNIT
 - MATTE NICKEL FINISH
 - FOR PANEL SEAL TO BE EFFECTIVE MOUNTING HOLE IN PANEL SHOULD NOT EXCEED .500 DIA
 - SUFFIX LETTER MUST BE ADDED FOR DESIRED TYPE TOGGLE LOCKING (SEE CHART FOR RECOMMENDED LOCKING COMBINATIONS)
 - HARDWARE FURNISHED ASSEMBLED WITH SWITCH OR IN PACKET PER MIL-PRF-8805



Shall not be either released outside the Government, or used, duplicated or disclosed in whole or in part for manufacture or procurement, without the written permission of MICRO SWITCH, A Division of Honeywell, except for: (I) emergency repair or overhaul work by or for the Government, where the item or process concerned is not otherwise reasonably available to enable timely performance of the work; or (II) release to a foreign government, as the interests of the United States may require; provided that in either case the release, use, duplication or disclosure hereof shall be marked on any reproduction hereof in whole or in part.

CHARACTERISTICS	ELECTRICAL DATA
PULLOUT FORCE 3 LB MIN-5 LB MAX	CONTACT ARRANGEMENT S P D T (8)

SCALE FULL	DO NOT SCALE PRINT																				
TOLERANCES APPLY TO DESIGN UNITS. CONVERSIONS ARE ONLY FOR REFERENCE. UNLESS NOTED, TOLERANCES ARE ±																					
NO PLACES X ONE PLACE X.X TWO PLACES X.XX THREE PLACES X.XXX ANGLES	<table border="1"> <tr> <th>DIM.</th> <th>TOL.</th> <th>DIM.</th> <th>TOL.</th> </tr> <tr> <td>mm</td> <td>mm/in</td> <td>in</td> <td>mm/in</td> </tr> <tr> <td></td> <td>1/.04</td> <td></td> <td>0.02/05</td> </tr> <tr> <td></td> <td>0.4/.016</td> <td></td> <td>0.261/013</td> </tr> <tr> <td></td> <td>0.16/006</td> <td></td> <td>0.13/005</td> </tr> </table>	DIM.	TOL.	DIM.	TOL.	mm	mm/in	in	mm/in		1/.04		0.02/05		0.4/.016		0.261/013		0.16/006		0.13/005
DIM.	TOL.	DIM.	TOL.																		
mm	mm/in	in	mm/in																		
	1/.04		0.02/05																		
	0.4/.016		0.261/013																		
	0.16/006		0.13/005																		
DESIGN UNITS	<input type="checkbox"/> SI METRIC <input checked="" type="checkbox"/> US CUSTOMARY																				
THIRD ANGLE PROJECTION																					
WEIGHT .09 LB APPROX																					

VOLTS	CYCLE	AMPERES SEA LEVEL		AMPERES 70,000 FT.	
		RES	IND	RES	IND
28	DC	1	.5	1	.5

68AT203 SERIES CHART 2 PAGE 1 OF 1
 DRAWING NUMBER M
 ISSUE 5
 RELEASE NO. PR-11950
 REVISIONS:
 A PR-11950
 S L B 10 FEB 83
 B C054000
 J A P 11 FEB 83
 IS OCT 83
 C 206022
 G J W JUL 02
 CHECK 11 FEB 83
 CHECK 11 FEB 83
 CHECK 11 FEB 83
 CHECK 11 FEB 83
 DRAWN S L B 10 FEB 83
 RASTER FO-32851-B

Mouser Electronics

Authorized Distributor

Click to View Pricing, Inventory, Delivery & Lifecycle Information:

[Honeywell:](#)

[68AT203-1A](#) [68AT203-5E](#)