

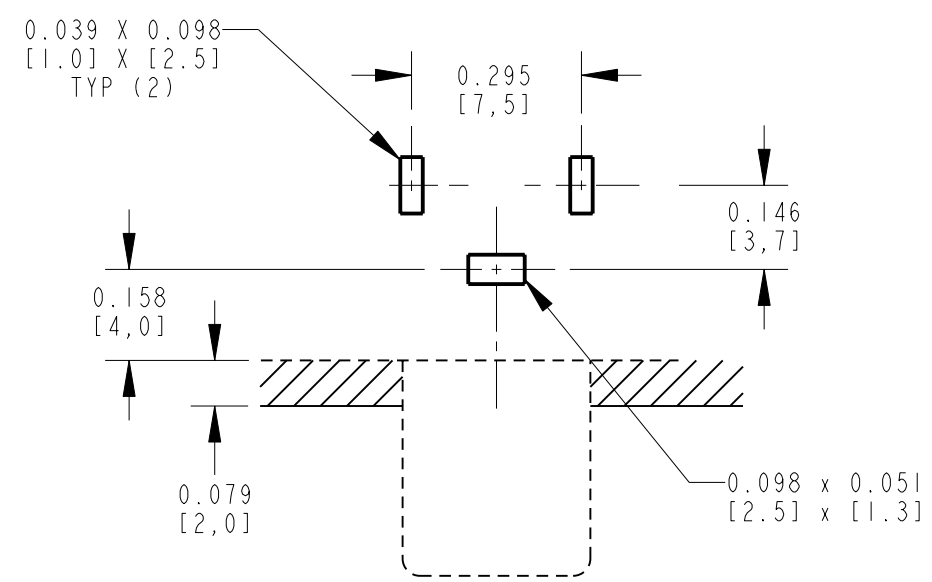
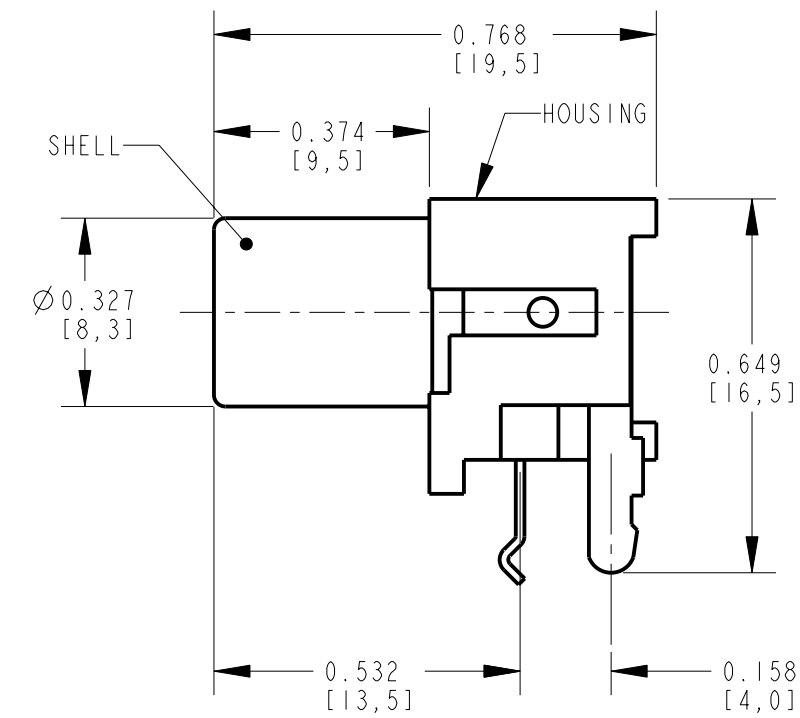
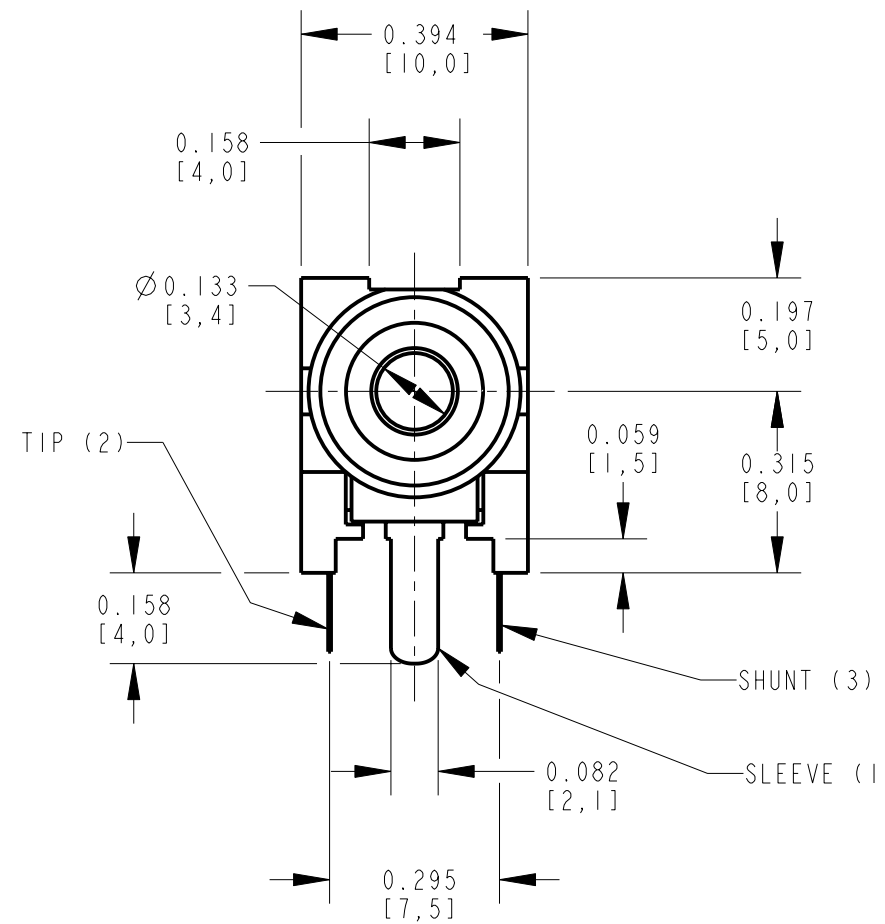
NOTES:

- ALL DIMENSIONS ARE REFERENCE.
- MATERIALS:
HOUSING: ABS, UL-94HB
SHELL & SLEEVE TERMINAL: COPPER ALLOY,
NICKEL OR GOLD PLATED
TIP & SHUNT TERMINALS: COPPER ALLOY, TIN PLATED
- THIS PART IS RoHS COMPLIANT

PART NUMBER	COLOR OF HOUSING	SHELL AND SLEEVE TERMINAL FINISH
PJ-RANIXIU01X	BLACK	NICKEL PLATED
PJ-RANIXIU01AUX	BLACK	GOLD PLATED
PJ-RANIXIU02X	WHITE	NICKEL PLATED
PJ-RANIXIU02AUX	WHITE	GOLD PLATED
PJ-RANIXIU03X	RED	NICKEL PLATED
PJ-RANIXIU03AUX	RED	GOLD PLATED
PJ-RANIXIU04X	YELLOW	NICKEL PLATED
PJ-RANIXIU04AUX	YELLOW	GOLD PLATED
PJ-RANIXIU07X	ORANGE	NICKEL PLATED



SCHEMATIC



P.C. BOARD LAYOUT
COMPONENT SIDE

CUSTOMER DRAWING

REV	ECO NUMBER	DATE	BY	APVD	DESCRIPTION	SIZE	WIDTH	MULT	LBS/M	TEMPER	FINISH	MATERIAL
A	25181	1-13-06	JL	TJK	REVISIONS	13-Jan-06	JL	TJK	1-13-06	1-13-06	3:1	Switchcraft®
<p>★ STAR SYMBOL DENOTES CRITICAL DIMENSION</p> <p>UNLESS OTHERWISE SPECIFIED</p> <p>1. ALL DIMENSIONS IN INCHES - TWO PLACE DECIMALS ±0.01 - THREE PLACE DECIMALS ±0.005 - ANGLES ±1° - ALL DIA. CONCENTRIC WITHIN 0.005 T.I.R.</p> <p>2. FEATURES ON THE SAME CENTERLINE MUST BE ALIGNED WITHIN ±0.002</p> <p>3. REMOVE ALL BURRS</p>						<p>THIS DRAWING DESCRIBES A DESIGN CONSIDERED PROPRIETARY IN NATURE, DEVELOPED AND MANUFACTURED BY SWITCHCRAFT INC. AND IS RELEASED ON A CONFIDENTIAL BASIS FOR IDENTIFICATION PURPOSES ONLY.</p> <p>NAME PHONO JACK - RIGHT ANGLE 1 POS, PC MOUNT, UNSHIELDED, RoHS</p>						
DO NOT SCALE DRAWING						PART No. PJ-RANIXIU_-X SERIES						
						SHEET 1 OF 1						
						REV A						

Mouser Electronics

Authorized Distributor

Click to View Pricing, Inventory, Delivery & Lifecycle Information:

Switchcraft:

[PJРАН1Х1U01Х](#) [PJРАН1Х1U02АUX](#) [PJРАН1Х1U02Х](#) [PJРАН1Х1U03Х](#) [PJРАН1Х1U04АUX](#) [PJРАН1Х1U04Х](#)
[PJРАН1Х1U04AU](#) [PJРАН1Х1U03АUX](#) [PJРАН3Х1U03AU](#)