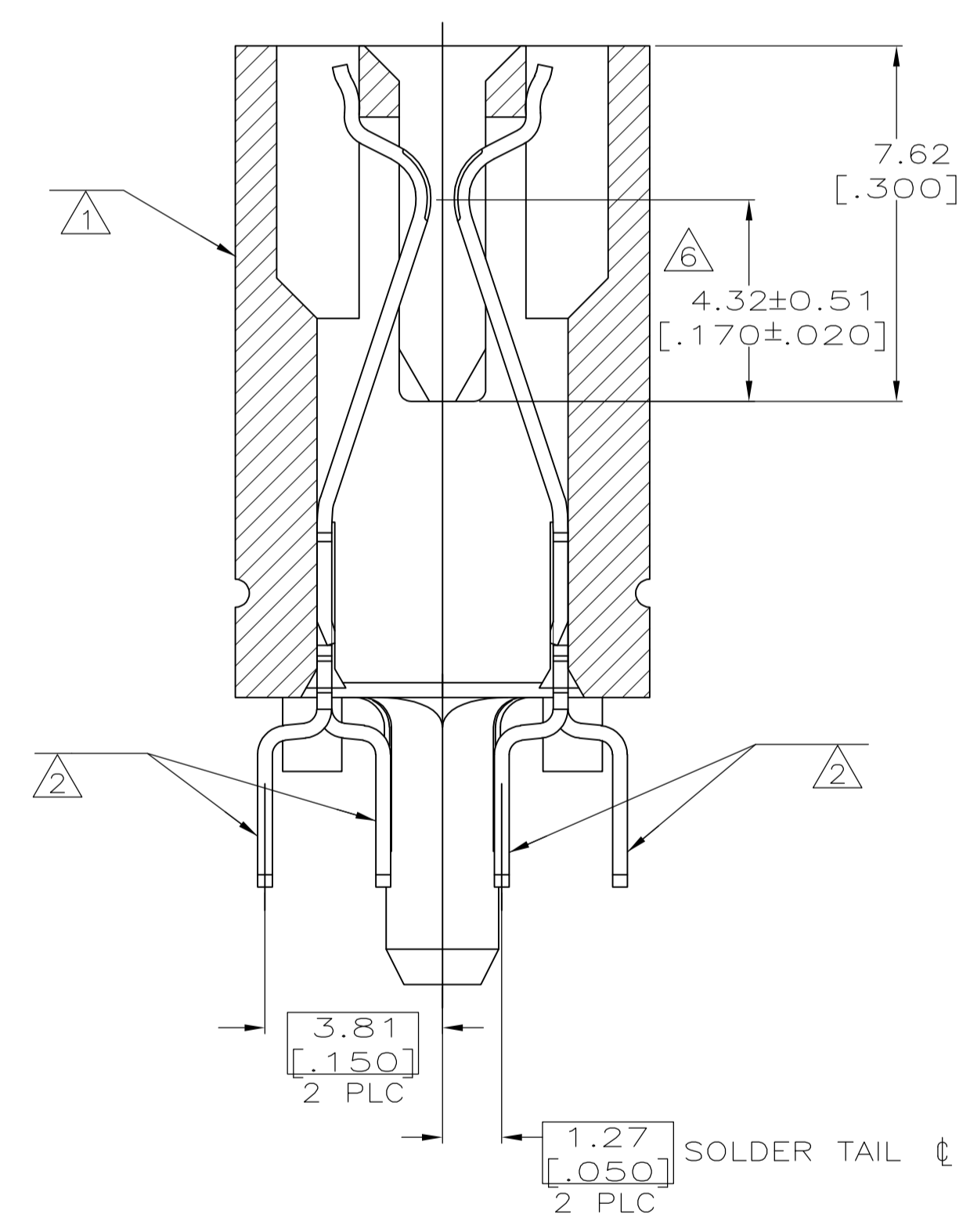
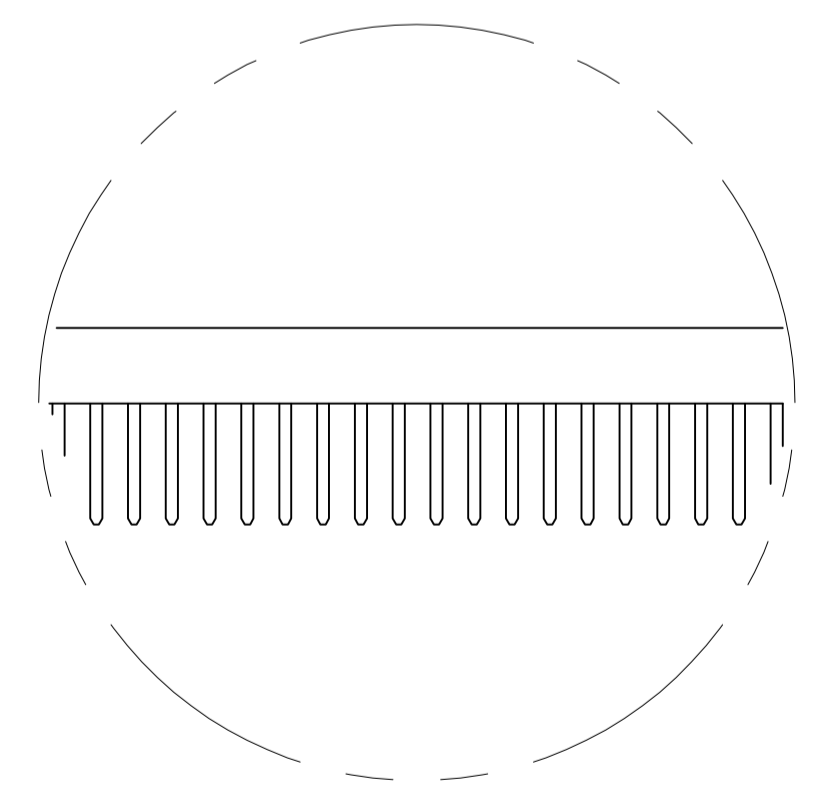


- 1 HOUSING: HIGH TEMPERATURE THERMOPLASTIC. COLOR - NATURAL
- 2 CONTACT: PHOSPHOR BRONZE.
- 3 CONTACT FINISH: .001269[.000050] MIN NICKEL ALL OVER. GOLD FLASH OVER NICKEL IN CONTACT AREA. .002537[.000100] MIN TIN OVER NICKEL ON SOLDER TAILS.
- 4 CONTACT FINISH: .001269[.000050] MIN NICKEL ALL OVER. .000375[.000015] MIN GOLD OVER NICKEL IN CONTACT AREA. .002537[.000100] MIN TIN OVER NICKEL ON SOLDER TAILS.
- 5 CONTACT FINISH: .001269[.000050] MIN NICKEL ALL OVER. .000757[.000030] MIN GOLD OVER NICKEL IN CONTACT AREA. .002537[.000100] MIN TIN OVER NICKEL ON SOLDER TAILS.
- 6 DISTANCE FROM CONTACT POINT TO BOTTOM OF CARD SLOT.
- 7 TE CONNECTIVITY PART NUMBER, DATE CODE AND CSA LOGO SHOULD BE MARKED ON THE SIDE OF THE HOUSING NEAR THE AMP LOGO.
- 8 CORED OR SOLID SIDE WALLS ARE AT DISCRETION OF TE CONNECTIVITY
- 9 PIN 44~49 AND PIN 104~109 ARE NOT LOADED.

SEE SHEET 2 FOR HOLE PATTERN



3.56 [.140]	5	1-5145154-2
3.18 [.125]	5	5145154-8
2.54 [.100]	5	5145154-4
2.54 [.100]	4	5145154-2
2.54 [.100]	3	5145154-1
W	FINISH	PART NUMBER

THIS DRAWING IS A CONTROLLED DOCUMENT.

DIMENSIONS: mm [INCHES]	TOLERANCES UNLESS OTHERWISE SPECIFIED:	0 PLC ± -	1 PLC ± -	2 PLC ± .25[.01]	3 PLC ± .125 [.005]	4 PLC ± -	ANGLES ± -
MATERIAL		FINISH		WEIGHT		CUSTOMER DRAWING	

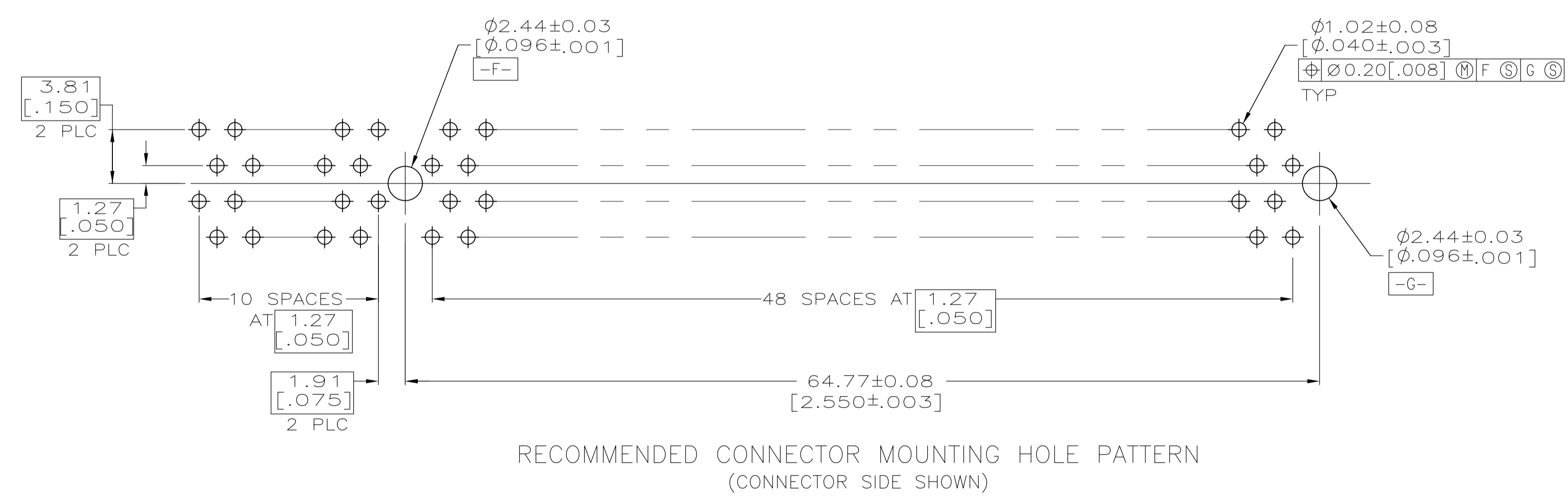
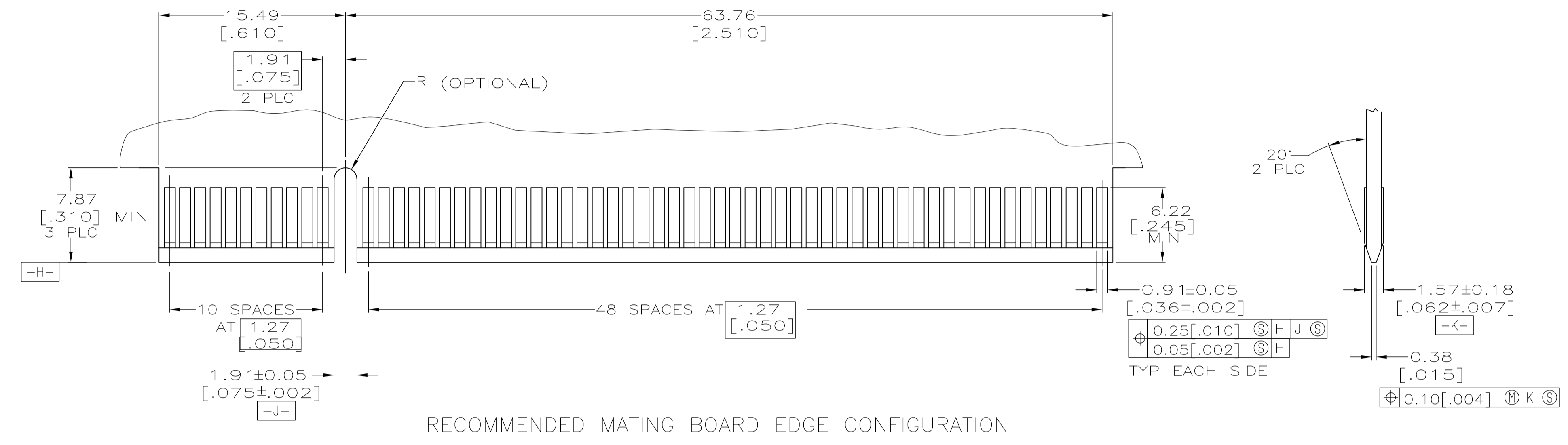
APPROVED	DATE	BY	DATE
AL FRANTUM	20 MAY 04	AL FRANTUM	20 MAY 04

TE Connectivity

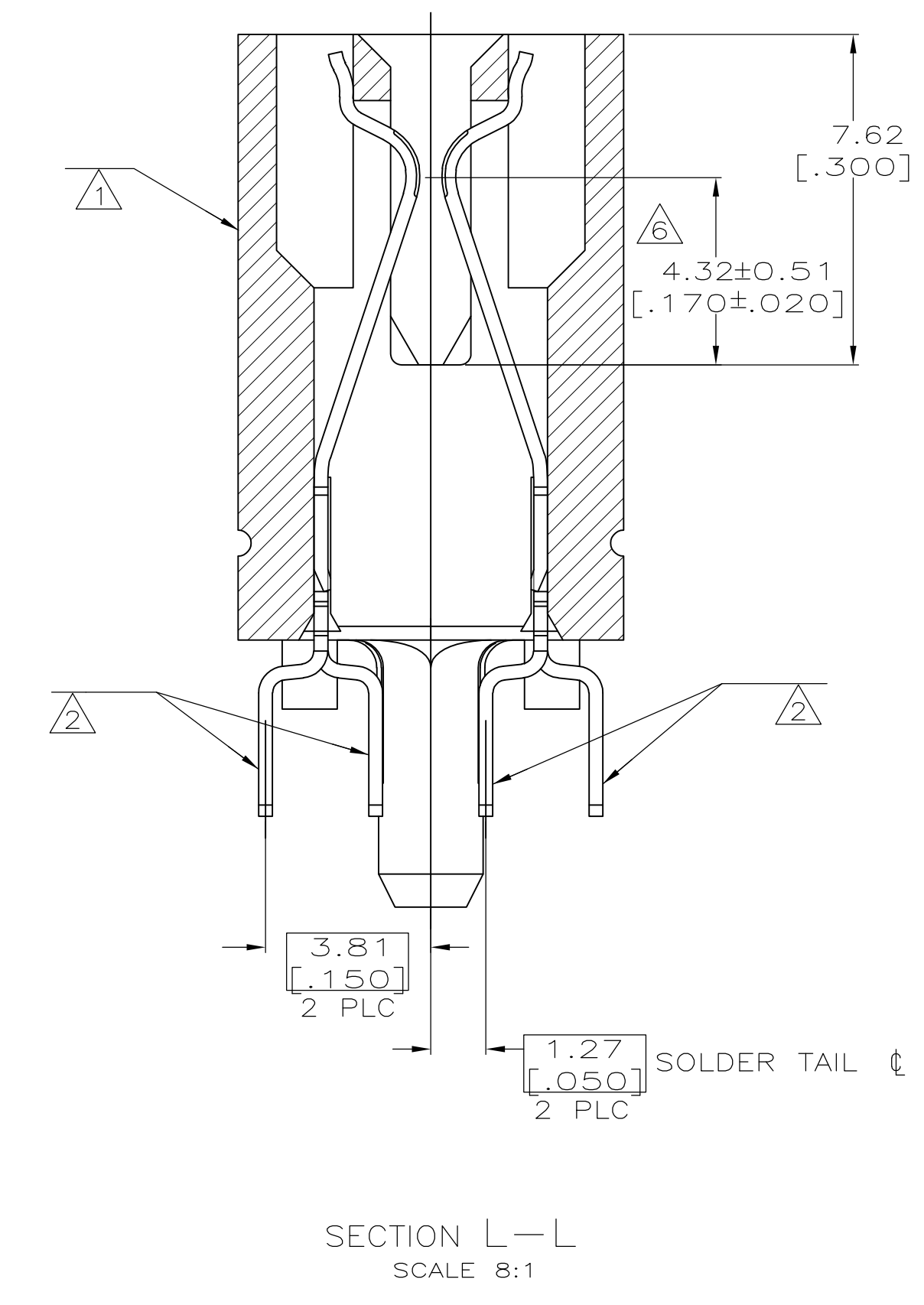
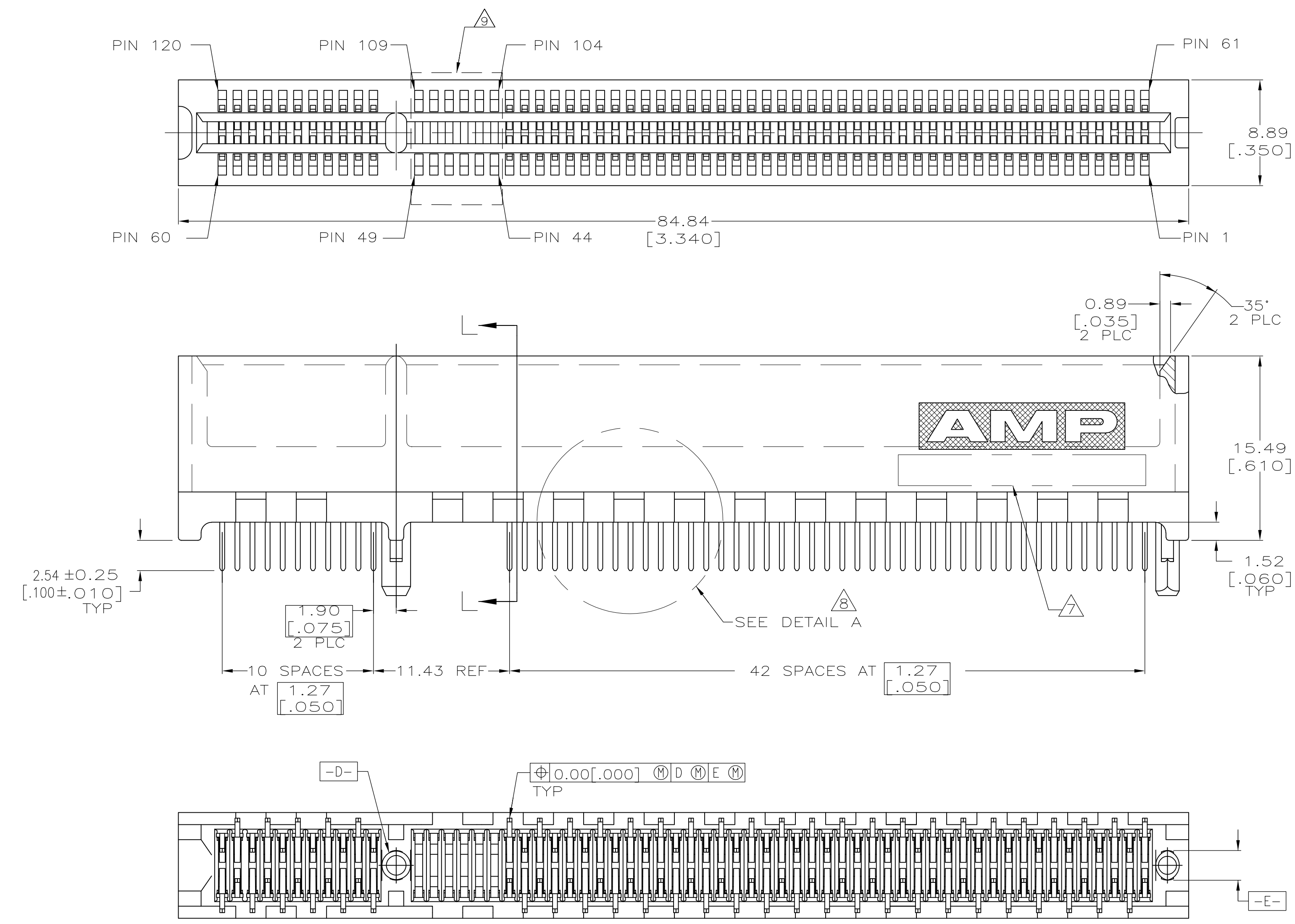
CONNECTOR ASSEMBLY, 60 DUAL POSITION, 1.27 [.050] SERIES, CARD EDGE

SIZE: A1 00779 C=5145154

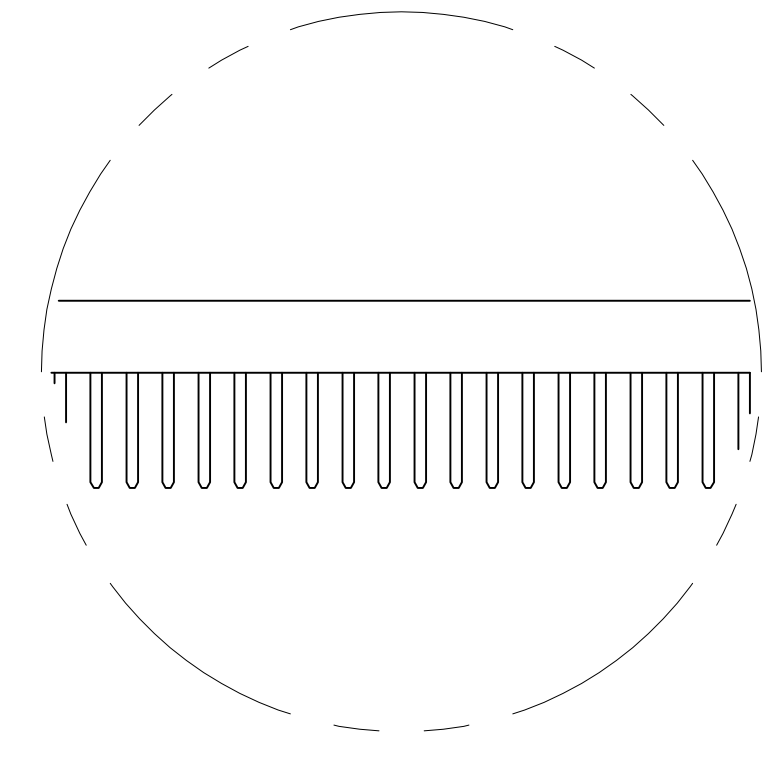
SCALE: 4:1 SHEET 1 OF 4 REV E



THIS DRAWING IS A CONTROLLED DOCUMENT.		DN AL FRANTUM 20 MAY 04	 TE Connectivity
DIMENSIONS: mm [INCHES]		CHK AL FRANTUM 20 MAY 04	
TOLERANCES UNLESS OTHERWISE SPECIFIED:		APVD -	NAME
0 PLC ± -		PRODUCT SPEC	CONNECTOR ASSEMBLY,
1 PLC ± -		108-14034	60 DUAL POSITION,
2 PLC ± .25 [.01]		APPLICATION SPEC	1.27 [.050] SERIES, CARD EDGE
3 PLC ± .125 [.005]		SIZE	A1
4 PLC ± - ± 2°		SCALE	4:1
MATERIAL -	FINISH -	WEIGHT -	SHEET 2 OF 4
CUSTOMER DRAWING		DRAWING NO. 00779	REV E



SEE SHEET 4 FOR HOLE PATTERN

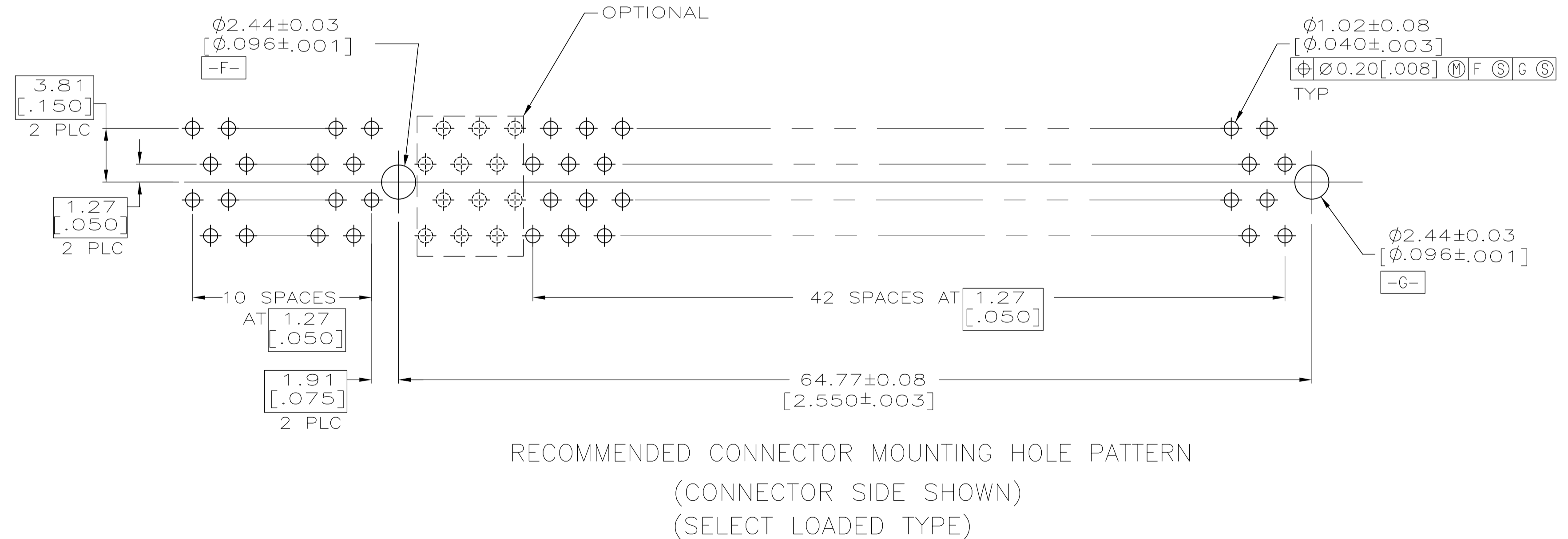
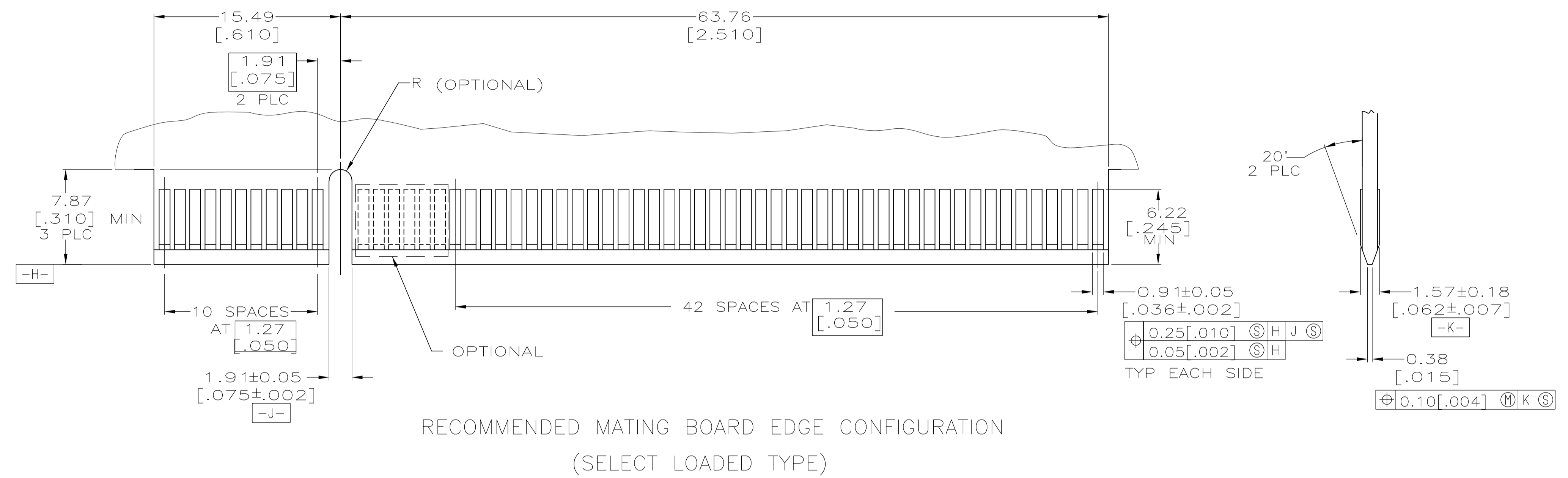


SELECT LOADED TYPE AS SHOWN.

	2-5145154-1
FINISH	PART NUMBER

THIS DRAWING IS A CONTROLLED DOCUMENT.		DWN: AL FRANTUM 20 MAY 04	TE Connectivity	
DIMENSIONS: mm [INCHES]		CHK: AL FRANTUM 20 MAY 04	CONNECTOR ASSEMBLY, 60 DUAL POSITION, 1.27 [.050] SERIES, CARD EDGE	
TOLERANCES UNLESS OTHERWISE SPECIFIED:		APVD: -	PRODUCT SPEC: 108-14034	
0 PLC ± -		NAME: -	APPLICATION SPEC: 114-26012	
1 PLC ± -		SIZE: A1	CAGE CODE: 00779	DRAWING NO: 5145154
2 PLC ± .25 [.01]		RESTRICTED TO: -	SCALE: 4:1	
3 PLC ± .125 [.005]		SHEET 3 OF 4		
4 PLC ± -		REV E		
ANGLES ± 2'		CUSTOMER DRAWING		
FINISH: -		SCALE: 4:1		

LOC	DIST	REVISIONS			
P	LTR	DESCRIPTION	DATE	DN	APVD
AA	00	SEE SHEET 1	-	-	-



DIMENSIONS:		TOLERANCES UNLESS OTHERWISE SPECIFIED:		DIN		NAME	
mm [INCHES]				AL FRANTUM		AL FRANTUM	
0 PLC	± -	1 PLC	± -	20 MAY 04	20 MAY 04	CONNECTOR ASSEMBLY, 60 DUAL POSITION, 1.27 [.050] SERIES, CARD EDGE	
1 PLC	± .125 [.005]	2 PLC	± .125 [.005]	PRODUCT SPEC		108-14034	
3 PLC	± .125 [.005]	4 PLC	± .125 [.005]	APPLICATION SPEC		114-26012	
ANGLES	± - ± °	FINISH		WEIGHT	SCALE	RESTRICTED TO	
MATERIAL	-	-		-	4:1	SHEET	4 OF 4 REV
CUSTOMER DRAWING				SCALE		SHEET	

Mouser Electronics

Authorized Distributor

Click to View Pricing, Inventory, Delivery & Lifecycle Information:

[TE Connectivity:](#)

[5145154-4](#)