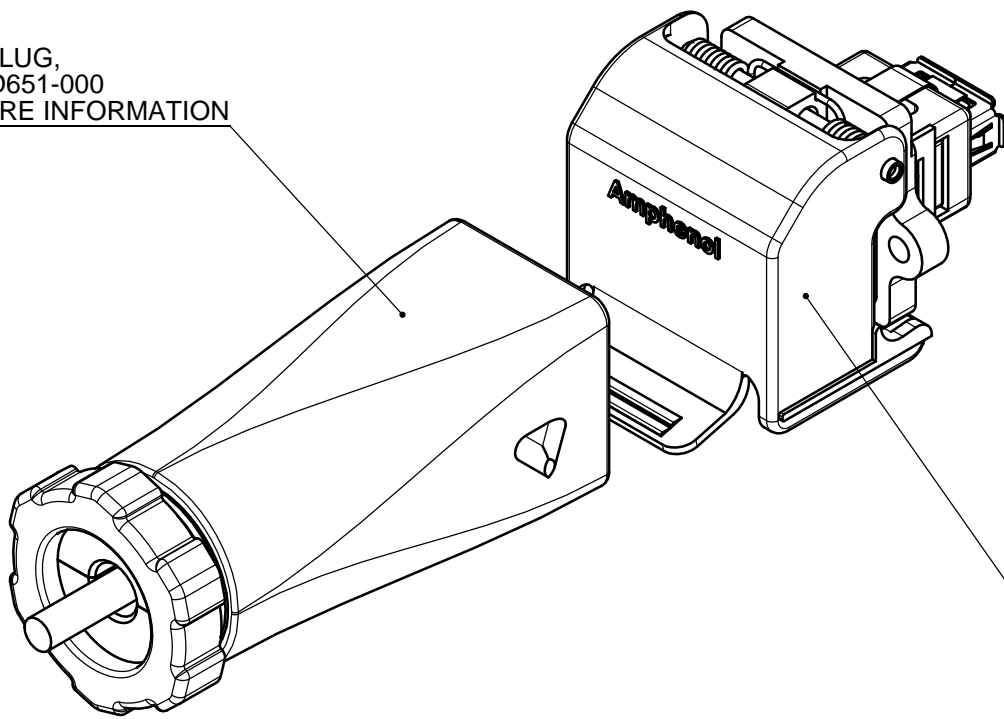


REV - DESCRIPT - DATE - APPRVD
.
.
.

USB-A PLUG,
SEE P-ID651-000
FOR MORE INFORMATION



USB-A RECEPTACLE,
SEE P-ID451-000
FOR MORE INFORMATION

NOTES:

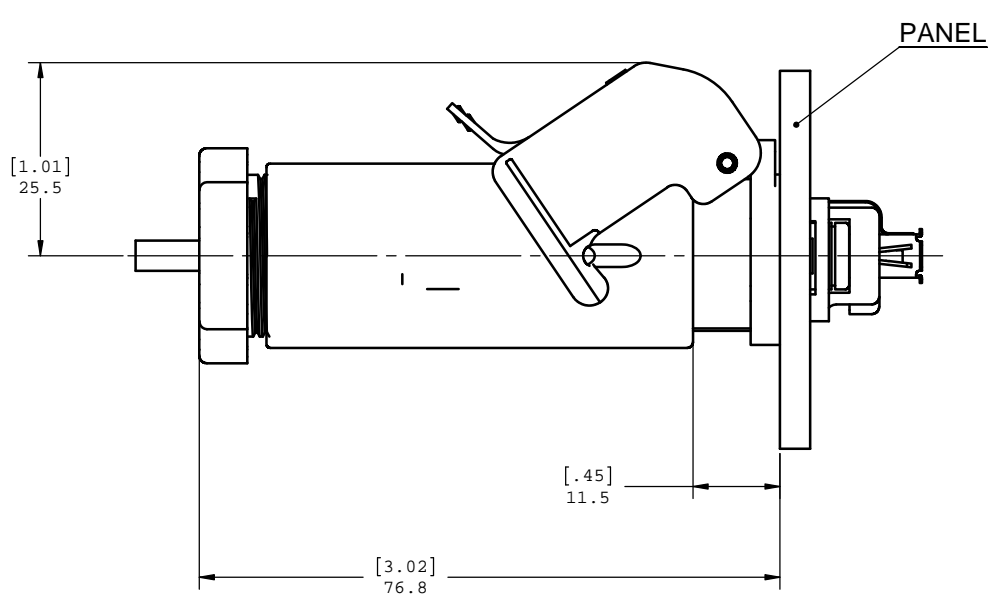
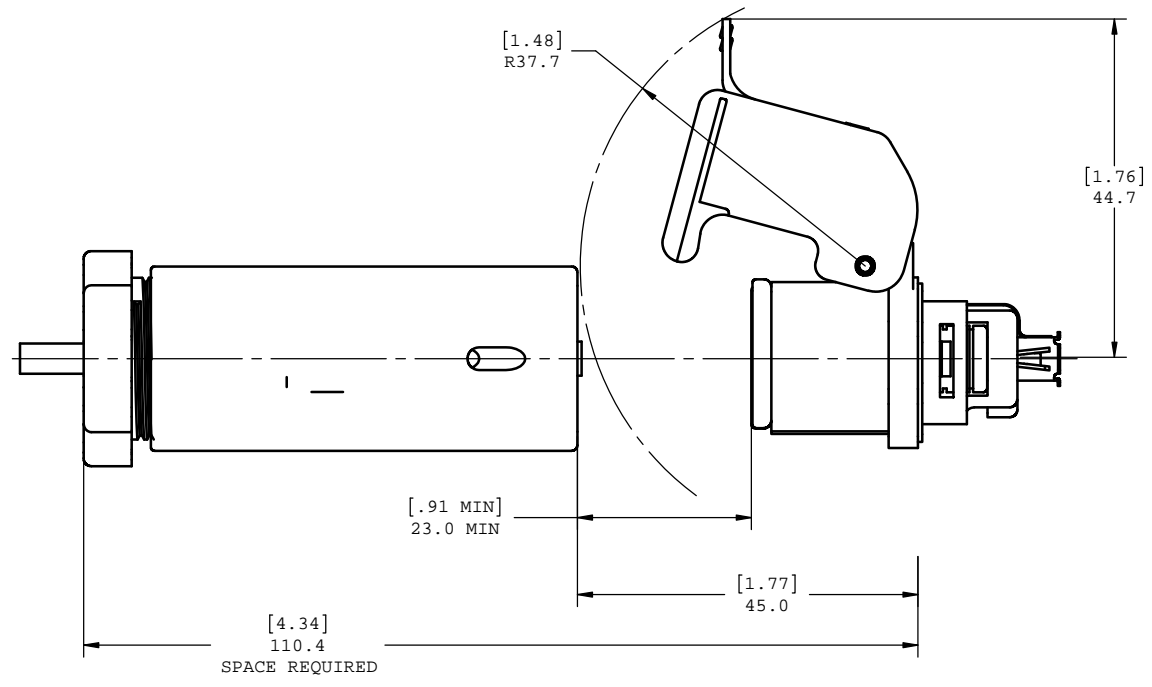
1. OPERATING TEMPERATURE: -40°C TO +85°C.
2. ENVIROMENT PERFORMANCE: IP67.
3. CONNECTOR IS ROHS COMPLIANT PER EU DIRECTIVE 2002/95/EC AND AMENDMENTS.
4. PART NUMBER FOR ORDER IS ID751-000.



UNLESS OTHERWISE SPECIFIED DIMENSIONS ARE IN MILLIMETER TOLERANCES ARE:		APPROVALS	DATE	Amphenol Canada Corp.	
		DRAWN S.SEMENOV	FEB16/07		
DECIMALS .XX ± .10 .X ± .25	ANGLES ± 1°	DESIGNED S.SEMENOV	FEB16/07	TITLE USB A RECEPTACLE AND PLUG	
MATERIAL AND FINISH		CHECKED		SIZE C	DWG. NO. P-ID751-000
REF.		QA APP'D		REV. A	
CODE IDENT. NO.		IE APP'D		SCALE 2.5:1	PROJECT ID
		DWG APP'D A.GREEN	FEB16/07	SHEET 1 OF 2	

DO NOT SCALE DRAWING
THIS DOCUMENT CONTAINS PROPRIETARY INFORMATION AND SUCH INFORMATION MAY NOT BE DISCLOSED TO OTHERS FOR ANY PURPOSE OR USED FOR MANUFACTURING PURPOSES WITHOUT PERMISSION FROM AMPHENOL CANADA CORP.

REV - DESCRIPT - DATE - APPRVD



UNLESS OTHERWISE SPECIFIED DIMENSIONS ARE IN MILLIMETER TOLERANCES ARE: DECIMALS ANGLES .XX ±.10 ± 1° .X ±.25	APPROVALS	DATE	Amphenol Canada Corp.		
	DRAWN S.SEMENOV	FEB16/07			
MATERIAL AND FINISH	DESIGNED S.SEMENOV	FEB16/07	SIZE C	DWG. NO. P-ID751-000	REV. A
	CHECKED		SCALE 2:1	PROJECT ID	SHEET 2 OF 2
REF.	IE APPD				
CODE IDENT. NO.	DWG APP'D A.GREEN	FEB16/07			

DO NOT SCALE DRAWING
THIS DOCUMENT CONTAINS PROPRIETARY INFORMATION AND SUCH INFORMATION MAY NOT BE DISCLOSED TO OTHERS FOR ANY PURPOSE OR USED FOR MANUFACTURING PURPOSES WITHOUT PERMISSION FROM AMPHENOL CANADA CORP.

Mouser Electronics

Authorized Distributor

Click to View Pricing, Inventory, Delivery & Lifecycle Information:

[Amphenol:](#)

[ID450-000](#) [ID550-000](#) [ID750-000](#) [ID551-000](#) [ID651-000](#) [ID751-000](#) [ID451-000](#) [ID450010](#)