

REVISIONS

P	LTR	DESCRIPTION	DATE	DWN	APVD
	B2	REVISED PER ECO-11-005150	29MAR2011	RK	HMR
	W	ECR-16-003733	12MAR2016	KR	TN

LASER MARKING: TE LOGO PN VALUE  
TOLERANCE & DATE CODE

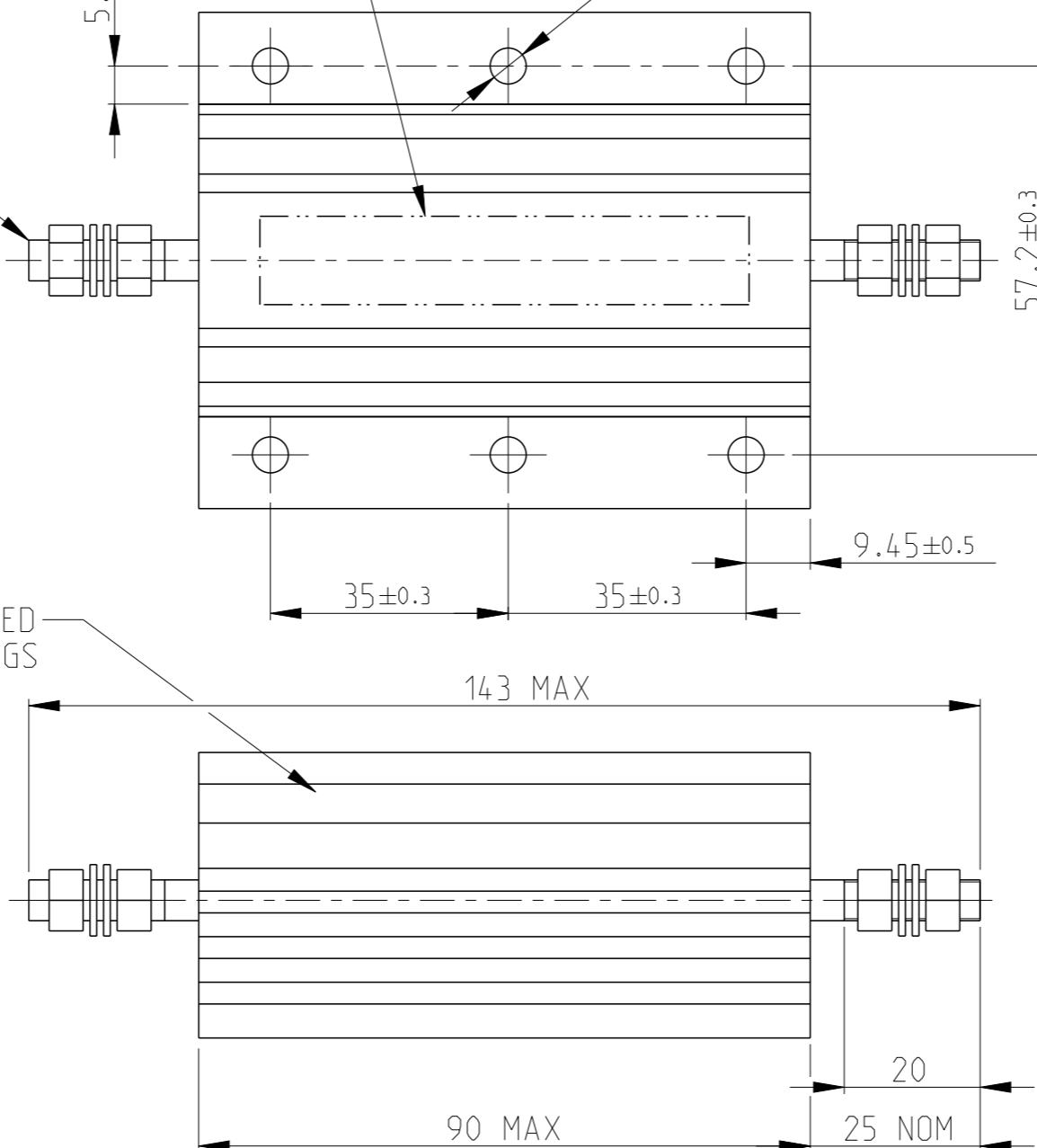
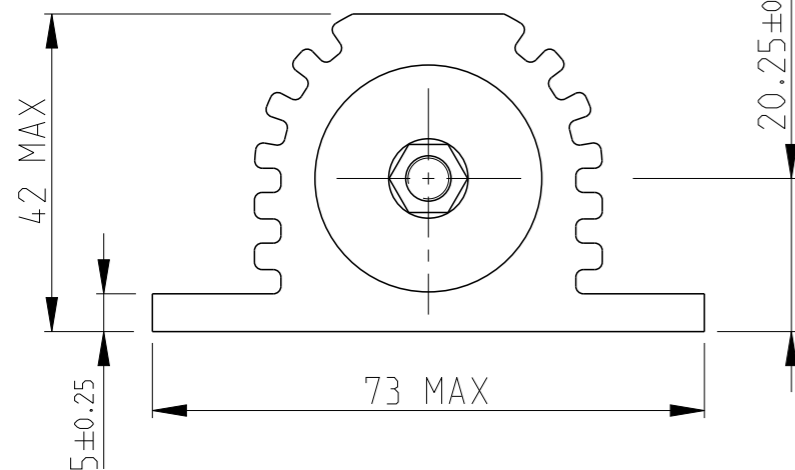
M6 ST/STEEL TERMINAL STUDS.  
EACH SUPPLIED WITH:-  
2 OFF M6 ST/STEEL FULL NUTS  
2 OFF M6/STEEL PLAN WASHERS

5.6 MIN

6 HOLES Ø5.3

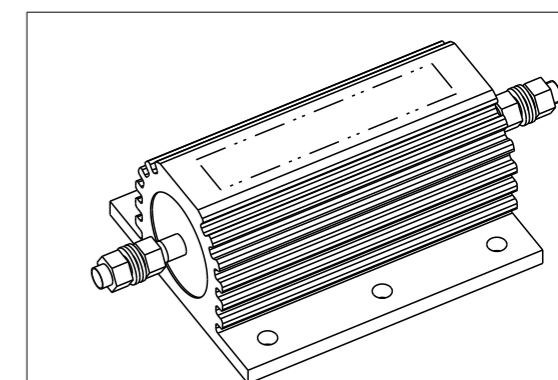
- 1 FOR FURTHER INFORMATION SEE DATA SHEET FOR HS SERIES-ALUMINIUM HOUSED RESISTORS
- 2 FOR A SPECIFIC PN FOR A RESISTANCE VALUE AND TOLERANCE, PLEASE REFER TO DMF

GOLD ANODISED  
ALUMINIUM HOUSINGS



HSC200  
ALUMINIUM HOUSED  
POWER RESISTOR

RoHS Compliant



SCALE 1:2

THIS DRAWING IS A CONTROLLED DOCUMENT.

DWN L LUONG 10.MAR.03

CHK J CATCHPOLE 10.MAR.03

APVD J CATCHPOLE 10.MAR.03

PRODUCT SPEC

APPLICATION SPEC

WEIGHT -

CUSTOMER DRAWING



TE Connectivity

NAME  
HSC200 ALUMINIUM HOUSED  
POWER RESISTOR

SIZE CAGE CODE DRAWING NO RESTRICTED TO

A3 00779 C-1630019

SCALE 1:1 SHEET 1 OF 1 REV W

DIMENSIONS:

mm



TOLERANCES UNLESS OTHERWISE SPECIFIED:

0 PLC	±0.5
1 PLC	±0.2
2 PLC	±0.1
3 PLC	±
4 PLC	±
ANGLES	±5°

MATERIAL -

material\_2

FINISH -

finish\_spec\_2

# Mouser Electronics

Authorized Distributor

Click to View Pricing, Inventory, Delivery & Lifecycle Information:

[TE Connectivity:](#)

[HSC20012RK](#)