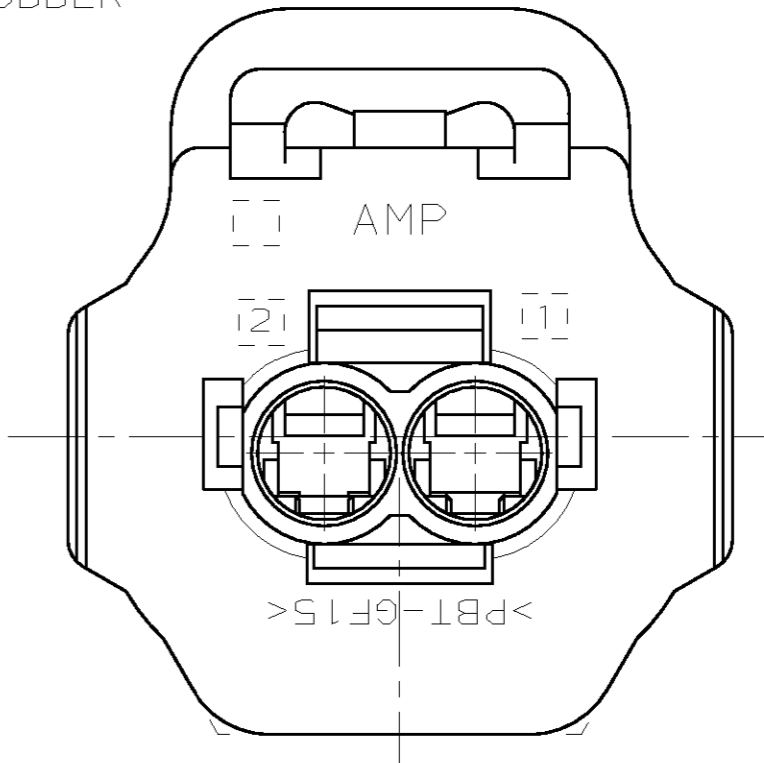
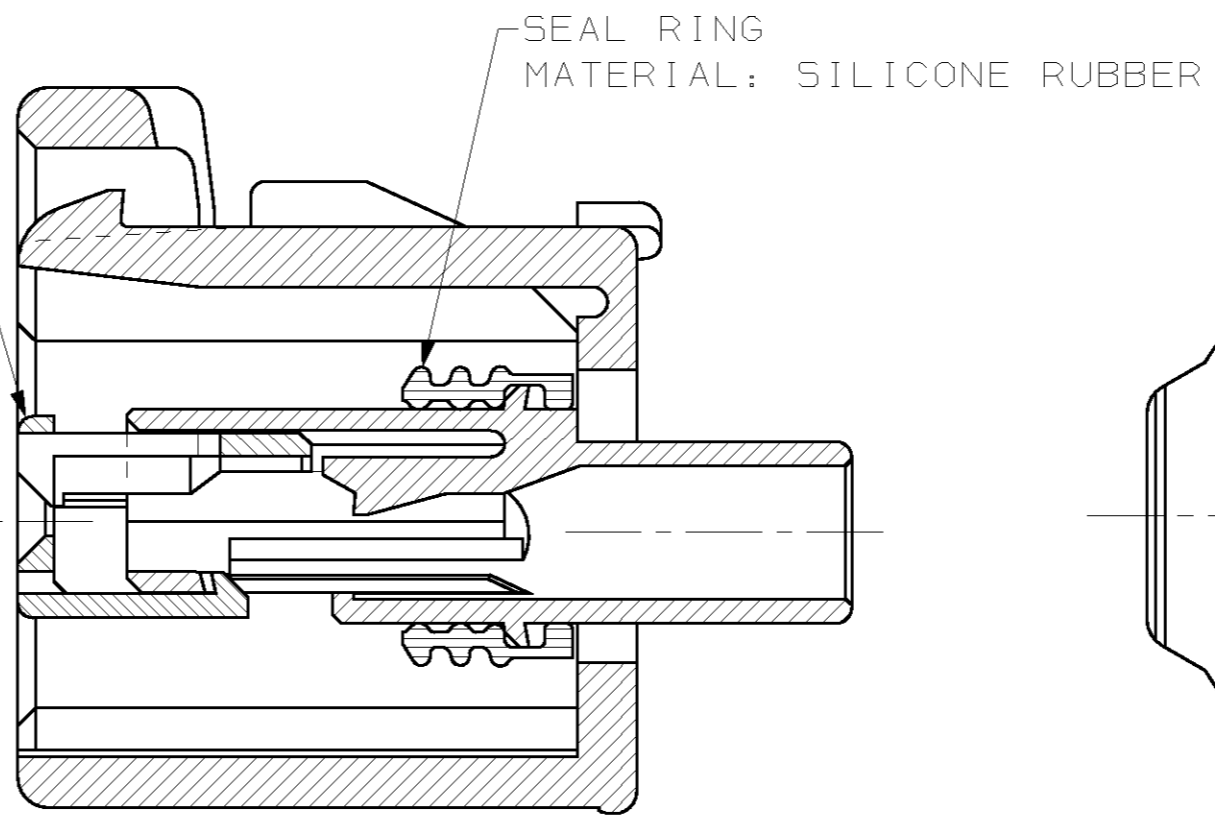
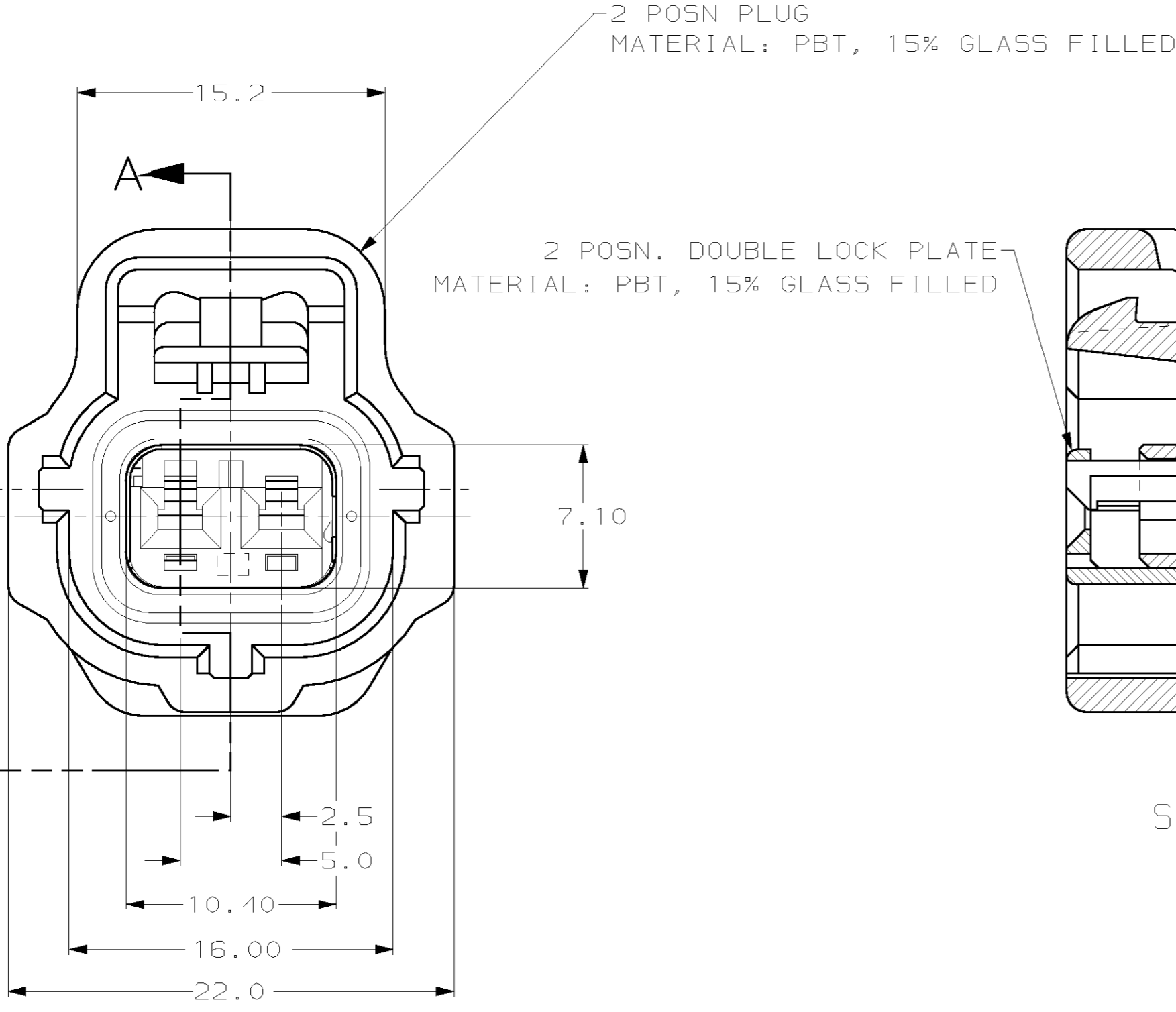
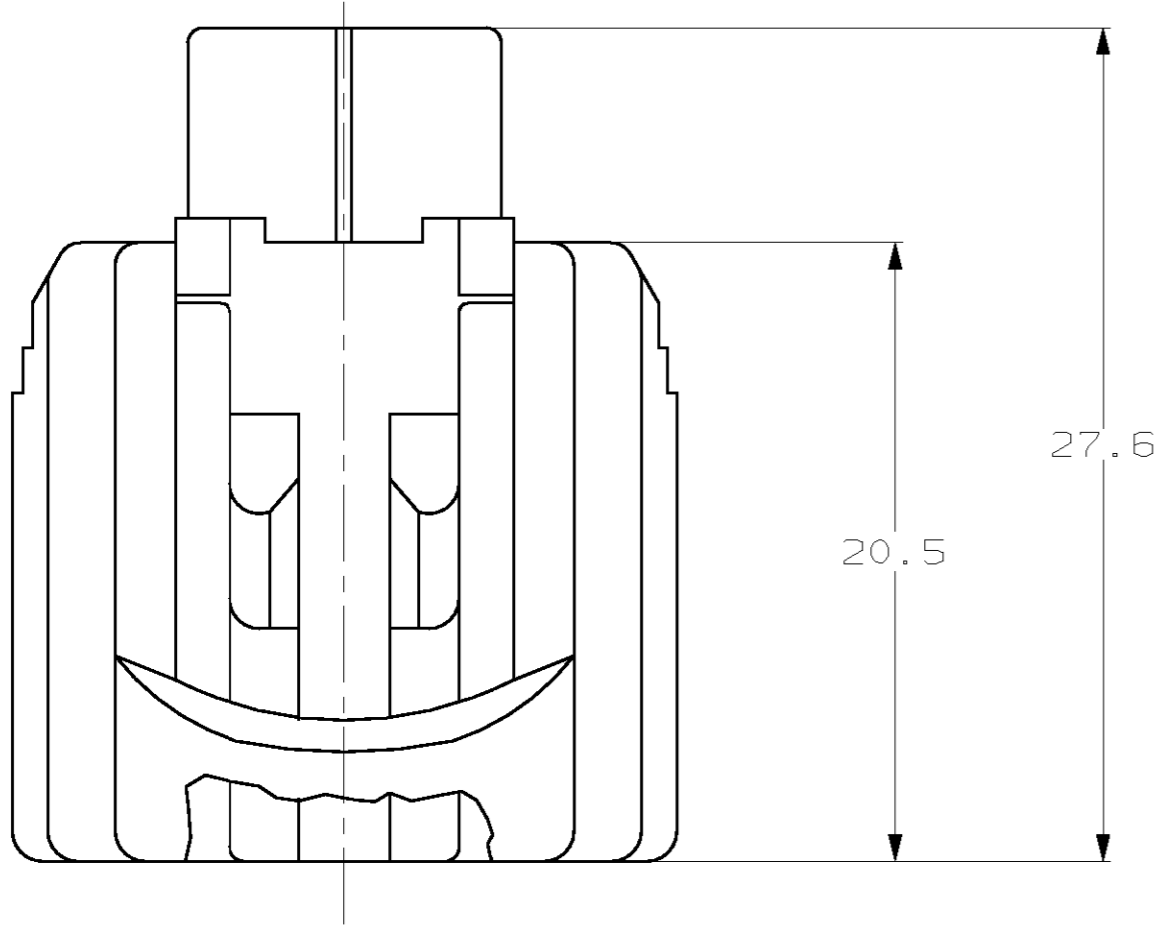


THIS DRAWING IS UNPUBLISHED. RELEASED FOR PUBLICATION .19  
 © COPYRIGHT 19 BY AMP INCORPORATED. ALL RIGHTS RESERVED.

LOC	DIST	REVISIONS					
		P	LTR	DESCRIPTION	DATE	DWN	APVD
G	16			RELEASED, WAS 92-4072-2313-1	-	-	-
		A		REV PER ECN 0720-0290-94	9/30/94	KDL	JPK
		B		REV PER ECN 0720-0446-94	12/16/94	KW	JK
		C		REV PER ECN 0K50-0003-96	08/13/96	KW	JK
		D		REV PER ECN 0K20-0004-97	02/10/97	KL	JK
		E		REV PER EC# 0K40-0140-00	6-28-00	PC	GI



SECTION A-A

KEYING TYPE A

<small>THIS DRAWING IS A CONTROLLED DOCUMENT FOR AMP INCORPORATED. IT IS SUBJECT TO CHANGE AND THE CONTROLLING ENGINEERING ORGANIZATION SHOULD BE CONTACTED FOR THE LATEST REVISION.</small>		DWN	KD LYTLE	3/28/94
		CHK	JP KUNKLE	4/19/94
		APVD	-	-
DIMENSIONS: mm		PRODUCT SPEC	AMP Incorporated Harrisburg, PA 17105-3608	
		APPLICATION SPEC	1 X 2 PLG ASY KEY A-C3	
TOLERANCES UNLESS OTHERWISE SPECIFIED: 0 PLC ±- 1 PLC ±0.30 2 PLC ±0.15 3 PLC ±- 4 PLC ±- ANGLES ±- FINISH ±1*		WEIGHT	A2	00779
MATERIAL -		CUSTOMER DRAWING	SCALE	4:1
			SHEET	1 OF 1
			REV	E

184000

B

A

# Mouser Electronics

Authorized Distributor

Click to View Pricing, Inventory, Delivery & Lifecycle Information:

[TE Connectivity:](#)

[184000-1](#)