

Angled brackets - BG/S - 1201086

Please be informed that the data shown in this PDF Document is generated from our Online Catalog. Please find the complete data in the user's documentation. Our General Terms of Use for Downloads are valid (<http://phoenixcontact.com/download>)




Angled brackets with M 6 screw, for fixing DIN rails at an angle of 30°, height: 35.4 mm

Product Features

- The BG/S brackets can be used to fix DIN rails at a distance from the mounting surface
- 30° tilt angle



Key Commercial Data

Packing unit	1 pc
Minimum order quantity	10 pc
GTIN	 4 017918 017200
Weight per Piece (excluding packing)	43.56 g
Custom tariff number	73269098
Country of origin	Germany

Technical data

Dimensions

Height	35.4 mm
Length	87 mm
Width	19.7 mm

General

Material	Steel
Color	silver

Angled brackets - BG/S - 1201086

Classifications

eCl@ss

eCl@ss 4.0	23150301
eCl@ss 4.1	23150301
eCl@ss 5.0	27141143
eCl@ss 5.1	27141143
eCl@ss 6.0	27189261
eCl@ss 7.0	27370419
eCl@ss 8.0	27189234

ETIM

ETIM 2.0	EC000761
ETIM 3.0	EC000761
ETIM 4.0	EC002620
ETIM 5.0	EC001024

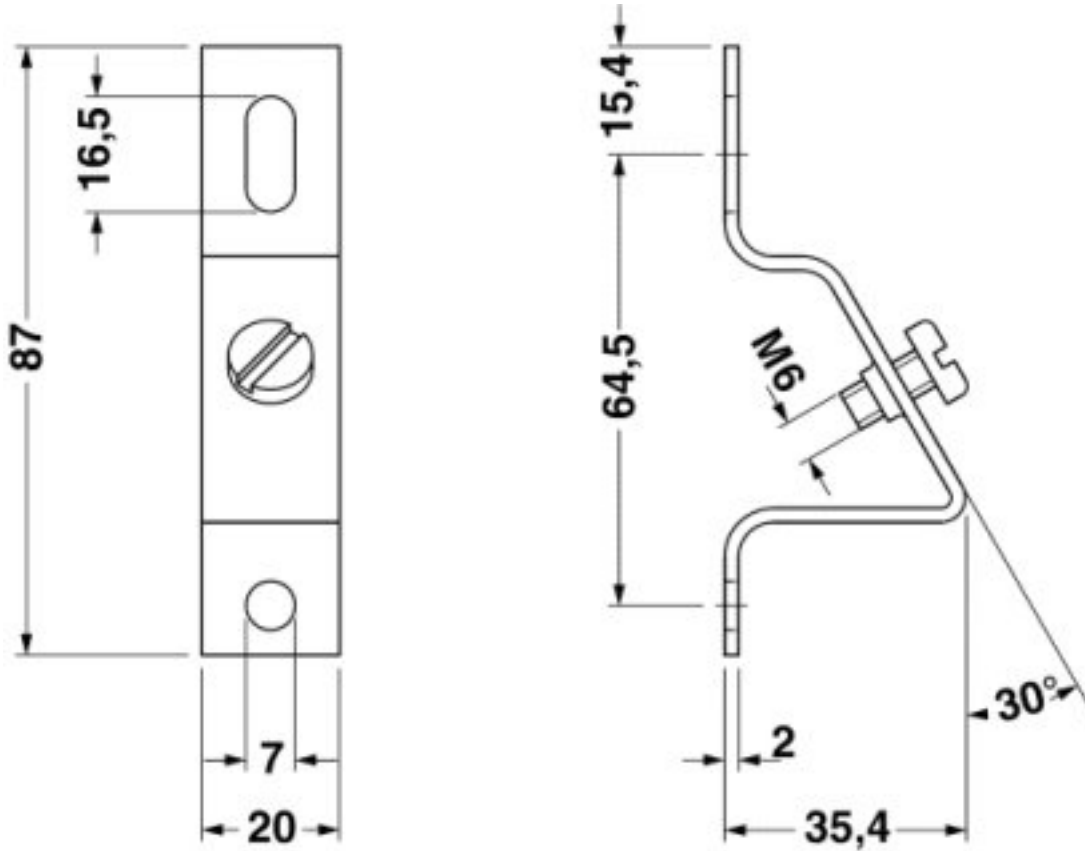
UNSPSC

UNSPSC 6.01	30212109
UNSPSC 7.0901	39121708
UNSPSC 11	39121708
UNSPSC 12.01	39121708
UNSPSC 13.2	39121708

Drawings

Angled brackets - BG/S - 1201086

Dimensional drawing



Mouser Electronics

Authorized Distributor

Click to View Pricing, Inventory, Delivery & Lifecycle Information:

[Phoenix Contact:](#)

[1201086](#)