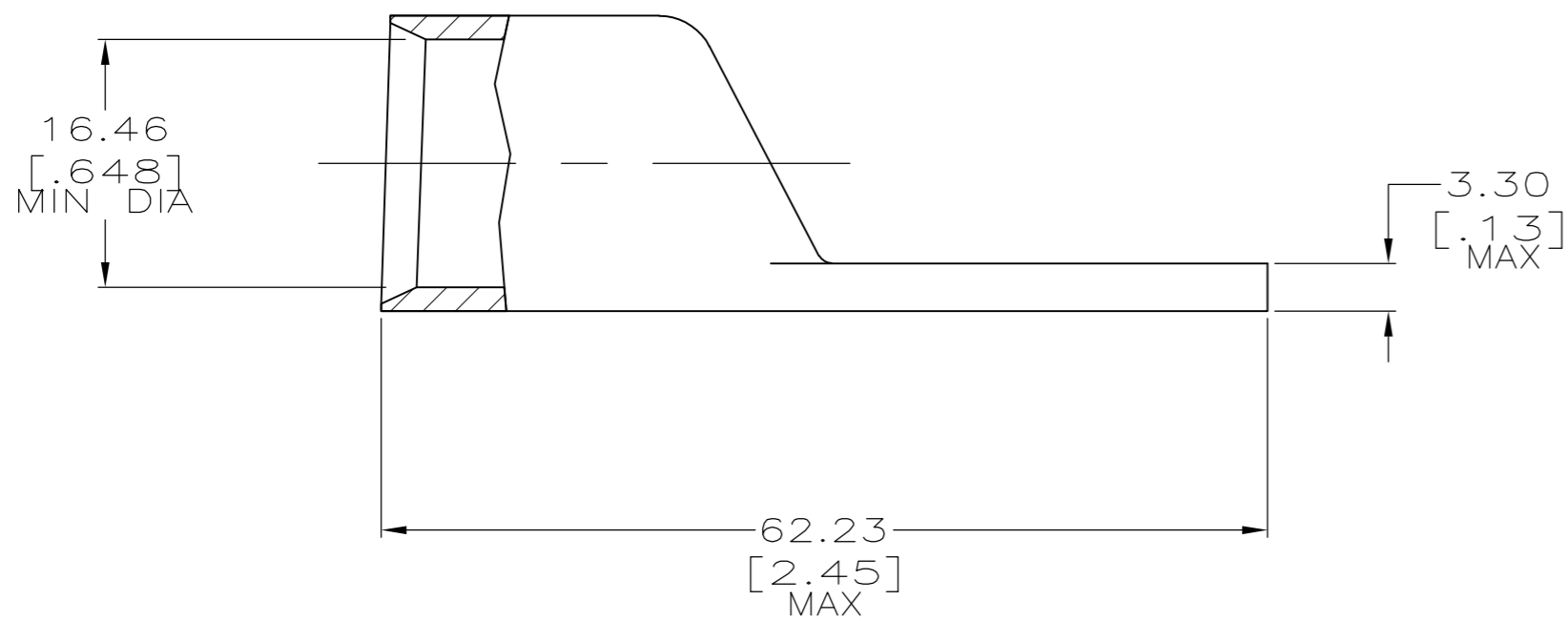
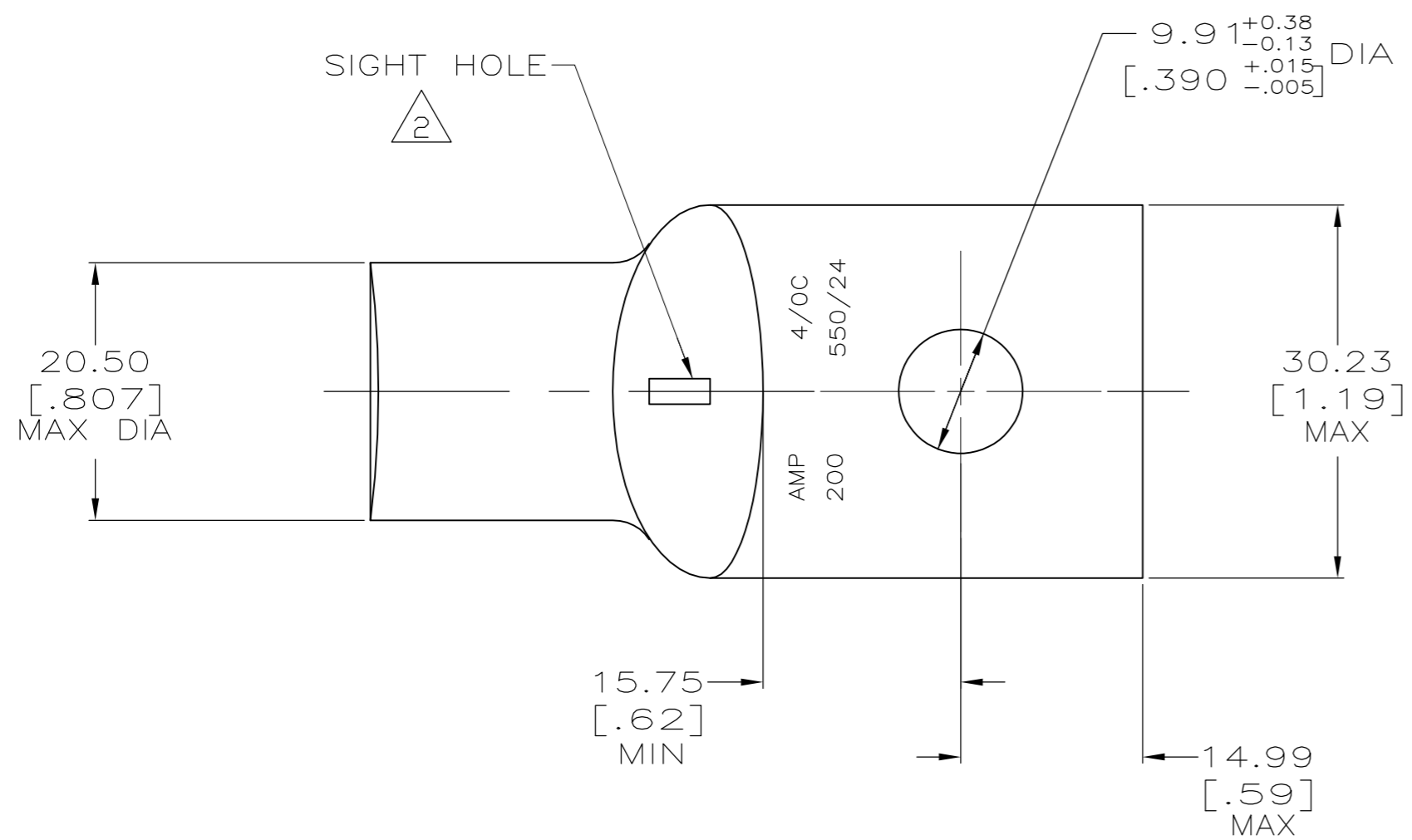


THIS DRAWING IS UNPUBLISHED. RELEASED FOR PUBLICATION
 © COPYRIGHT BY TYCO ELECTRONICS CORPORATION. ALL INTERNATIONAL RIGHTS RESERVED.

LOC	DIST	REVISIONS			
P	LTR	DESCRIPTION	DATE	DWN	APVD
G	86	P1	REV PER ECR 10-017024	09NOV10	JR RL



- 1 CIRCULAR MIL RANGE: 190,000-231,000 CM
- 2 SIGHT HOLE LOCATION IF REQUIRED, REFER TO TABLE.
- 3 COPPER PER ASTM B-75, ANNEALED
- 4 TIN PLATE 0.00381 [.000150] MIN PER ASTM B-545.

NONE	325603-2
REQD	325603
2 SIGHT HOLE	PART NO.

THIS DRAWING IS A CONTROLLED DOCUMENT.		DWN DK SCHRUM 02/28/90	Tyco Electronics Corporation Harrisburg, PA 17105-3608	
DIMENSIONS: MM [INCHES]		CHK AJ KAUFMAN 8/10/92	NAME	
TOLERANCES UNLESS OTHERWISE SPECIFIED:		APVD	PRODUCT SPEC	
0 PLC ± -	1 PLC ± -	APPLICATION SPEC	TERMINAL, AMPPOWER, WIRE SIZE: 4/0 AWG	
2 PLC ± -	3 PLC ± -	WEIGHT .102 LBS	SIZE A2	CAGE CODE 00779
4 PLC ± -	ANGLES ± -	CUSTOMER DRAWING	DRAWING NO C-325603	RESTRICTED TO
MATERIAL 3	FINISH 4	SCALE 2:1	SHEET 1 of 1	REV P1

Mouser Electronics

Authorized Distributor

Click to View Pricing, Inventory, Delivery & Lifecycle Information:

[TE Connectivity:](#)

[325603](#)