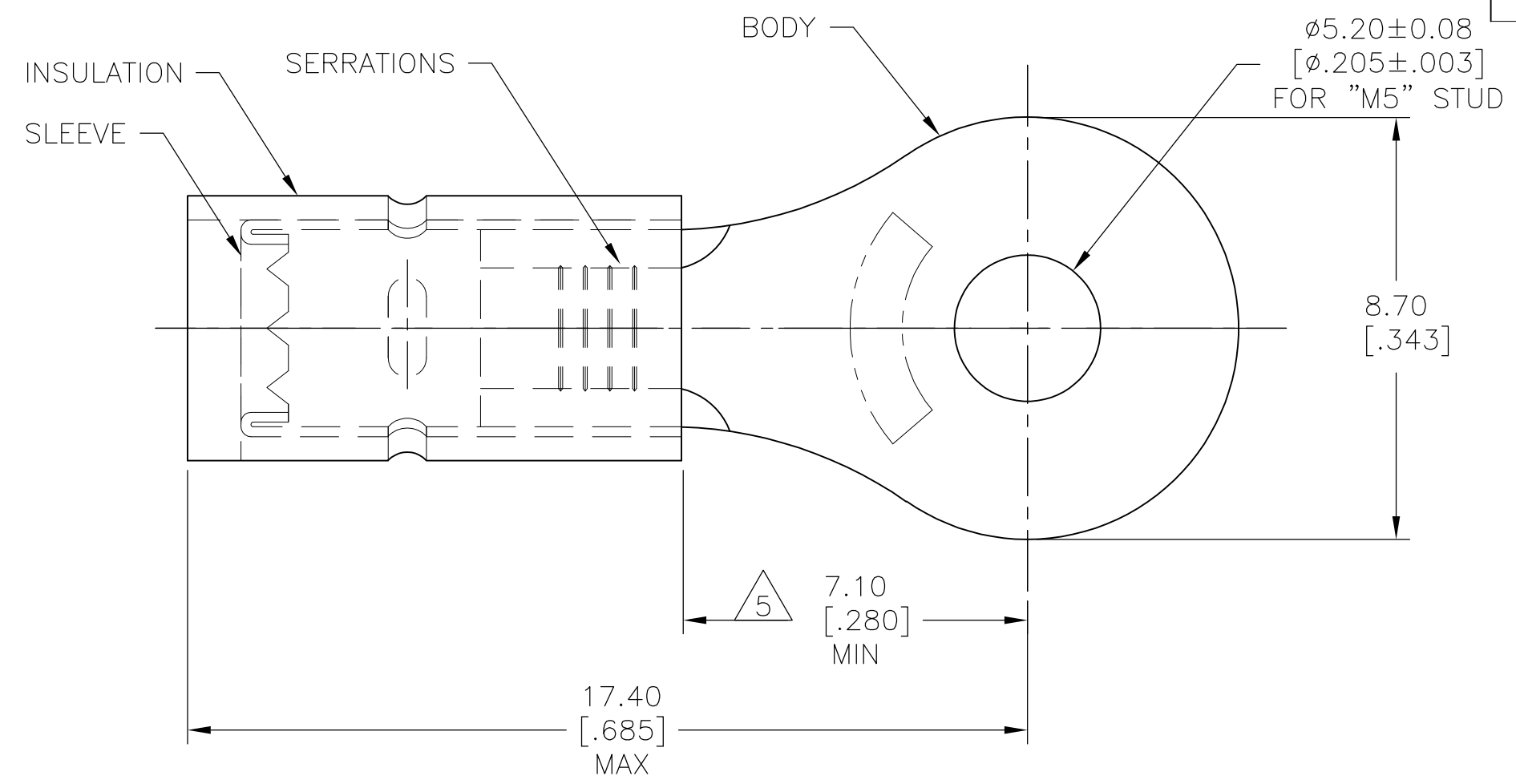
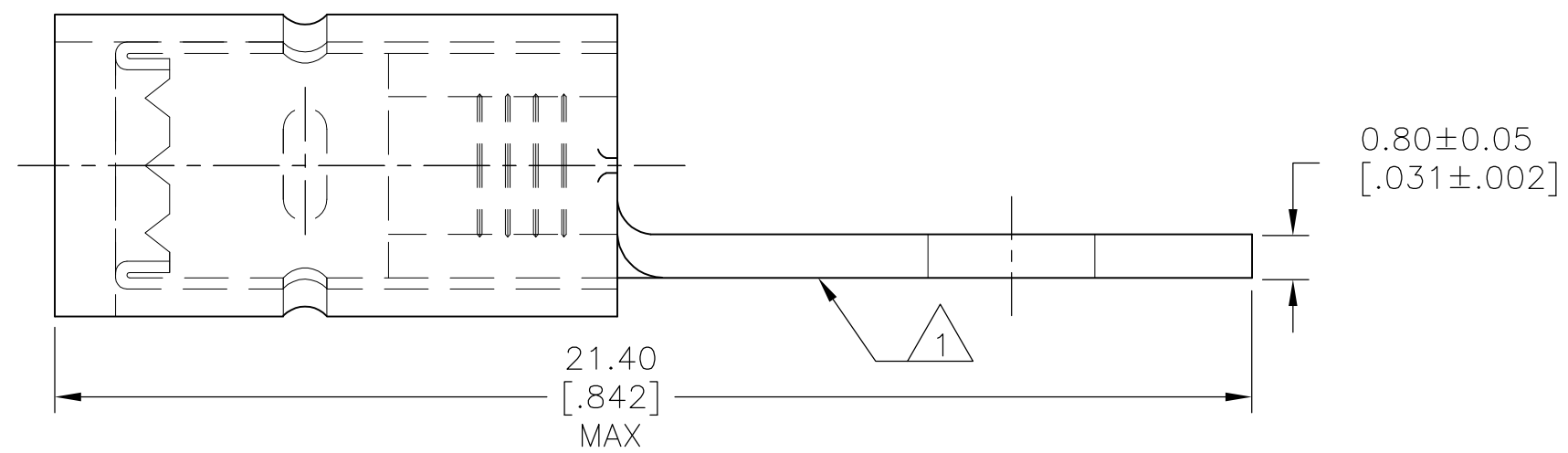


THIS DRAWING IS UNPUBLISHED. RELEASED FOR PUBLICATION
 © COPYRIGHT - By - ALL RIGHTS RESERVED.

LOC	DIST	REVISIONS			
P	LTR	DESCRIPTION	DATE	DWN	APVD
-	-	A	NEW DRAWING PER ECO-15-015483	30OCT2015	NK DR



- $\triangle 1$ STAMP AMP 16-14* APPROX AS SHOWN
- 2 FOR INSULATION DIAMETER 2.60 $[\ .102]$ TO 3.81 $[\ .150]$
- $\triangle 3$ MATERIAL:
BODY&SLEEVE: COPPER PER ASTM B152
INSULATION: NYLON.
- $\triangle 4$ FINISH:
BODY&SLEEVE: TIN PLATE PER ASTM B545
INSULATION: COLOR-BLUE
- $\triangle 5$ APPLIES FROM CENTER OF STUD HOLE TO EDGE OF METAL WIRE BARREL



5000	TAPE&REEL	2-130663-1
1000	LOOSE PIECE	130663
PKG QTY	PACKAGE TYPE	PART NUMBER

THIS DRAWING IS A CONTROLLED DOCUMENT.		DWN NAGALAKSHMI K 30OCT2015	STE TE Connectivity													
DIMENSIONS: mm [INCHES]		CHK ROHDE DANIEL 30OCT2015														
TOLERANCES UNLESS OTHERWISE SPECIFIED:		APVD ROHDE DANIEL 30OCT2015	NAME TERMINAL RING TONGUE, PIDG 16-14 AWG													
<table border="0"> <tr><td>0 PLC</td><td>± -</td></tr> <tr><td>1 PLC</td><td>± 0.38$[\ .015]$</td></tr> <tr><td>2 PLC</td><td>± -</td></tr> <tr><td>3 PLC</td><td>± -</td></tr> <tr><td>4 PLC</td><td>± -</td></tr> <tr><td>ANGLES</td><td>± 1°</td></tr> </table>		0 PLC	± -	1 PLC	± 0.38 $[\ .015]$	2 PLC	± -	3 PLC	± -	4 PLC	± -	ANGLES	± 1°	PRODUCT SPEC -	RESTRICTED TO -	
0 PLC	± -															
1 PLC	± 0.38 $[\ .015]$															
2 PLC	± -															
3 PLC	± -															
4 PLC	± -															
ANGLES	± 1°															
MATERIAL $\triangle 3$		FINISH $\triangle 4$	APPLICATION SPEC -	SIZE A3												
CUSTOMER DRAWING		WEIGHT -	CAGE CODE 00779	DRAWING NO C-130663												
		SCALE 8:1		SHEET 1 OF 1												
				REV A												

Mouser Electronics

Authorized Distributor

Click to View Pricing, Inventory, Delivery & Lifecycle Information:

[TE Connectivity:](#)

[130663](#)