

THIS COPY IS PROVIDED ON A RESTRICTED BASIS AND IS NOT TO BE USED IN ANY WAY DETRIMENTAL TO THE INTERESTS OF PANDUIT CORP.

PANDUIT PART NUMBER	STUD SIZE	DIMENSIONS in.				
		A ±.030	W ±.010	C ±.020	M ±.030	H ±.010
PN12-6HDR-2K	#6	1.02 (25.91)	.31 (7.87)	.31 (7.87)	.86 (21.84)	.15 (3.81)
PN12-8HDR-2K	#8	1.02 (25.91)	.31 (7.87)	.31 (7.87)	.86 (21.84)	.17 (4.32)
PN12-10HDR-2K	#10	1.05 (26.67)	.38 (9.65)	.31 (7.87)	.86 (21.84)	.20 (5.08)
PN12-14HDR-2K	1/4"	1.20 (30.48)	.52 (13.21)	.38 (9.65)	.94 (23.88)	.27 (6.86)
PN12-56HDR-2K	5/16"	1.20 (30.48)	.52 (13.21)	.38 (9.65)	.94 (23.88)	.33 (8.38)
PN12-38HDR-2K	3/8"	1.28 (32.51)	.58 (14.73)	.38 (9.65)	.98 (24.89)	.39 (9.91)

NOTES :

- UL LISTED AND CSA CERTIFIED FOR :
 - 600 V MAX. VOLTAGE RATING
 - 221°F (105°C) MAX. TEMP. RATING
 - #16-12 AWG (1.5-4.0 mm²) SOLID OR STRANDED, COPPER WIRE
- PACKAGE QTY. : 2K = 2000 PCS.
CONTINUOUS MOLDED CARRIER STRIP
- MATERIAL :
 - STAMPING - .05" THK COPPER, TIN PLATED
 - HOUSING - YELLOW NYLON
 - SLEEVE - BRASS, TIN PLATED
- DIMENSIONS IN BRACKETS ARE IN MILLIMETERS
- INSTALLATION TOOLS :
 - PRESSES - CP-851, CP-860, CP-861
 - APPLICATOR - CA-800
 - DIE INSERTS - CD-800-3

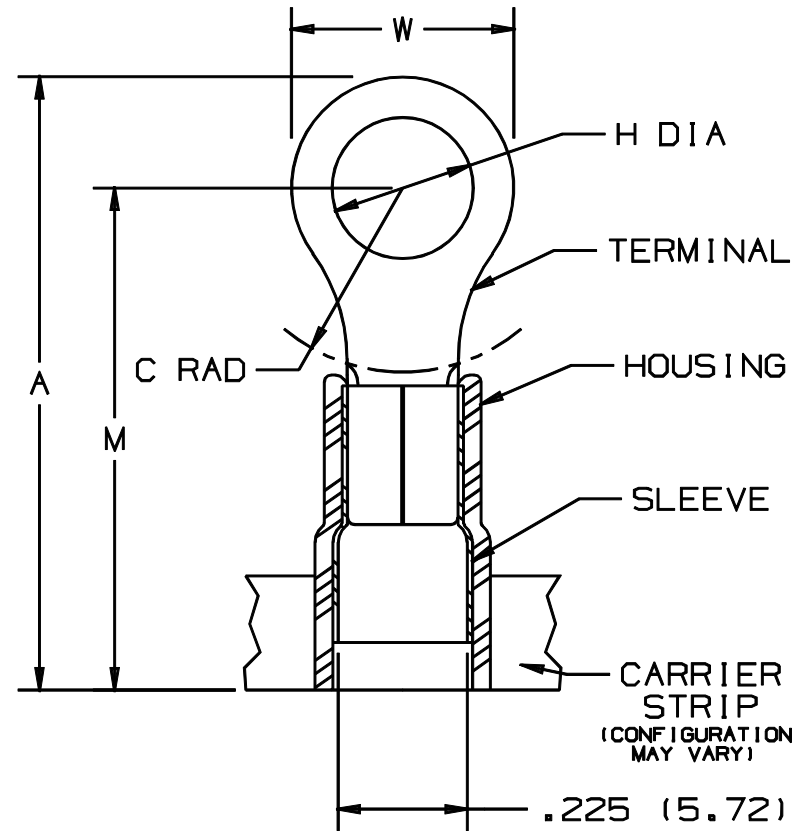
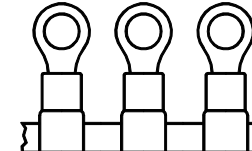
6. WIRE STRIP LENGTH: $9/32^{+1.32}_{-0}$ ($7.1^{+0.8}_{-0}$)



LISTED
587H
E52164



CERTIFIED
LR31212



.225 (5.72)
MAX WIRE
INSUL DIA
.130 (3.30)
MIN. WIRE
INSL. DIA.

A41097_04

04	12/00	ED		FILESPEC WAS: N41097AA_PCD_03			
03	12/96	JAMB		ADDED DIM., "MIN. WIRE INSUL. DIA."			
02	9/96	TSM	RLS	REVISE DIMS AND TOLERANCES, ADD NOTE #6	050B2	LA	DBH
				ORIGINAL FILE SPEC WAS A41097A			
REV	DATE	BY	CHK	DESCRIPTION	ECN	CUST	PM

PANDUIT

CORP.

TINLEY PARK, ILLINOIS

TERMO 3PC. CONTINUOUSLY MOLDED NYLON
INSULATED, 16-12 BARREL, HEAVY DUTY RINGS

DRAWN BY JMV Ck'D LA SCALE NONE DRAWING NO. A41097

Mouser Electronics

Authorized Distributor

Click to View Pricing, Inventory, Delivery & Lifecycle Information:

[Panduit:](#)

[PN12-10HDR-2K](#) [PN12-6HDR-2K](#) [PN12-8HDR-2K](#) [PN12-56HDR-2K](#) [PN12-14HDR-2K](#) [PN12-38HDR-2K](#)