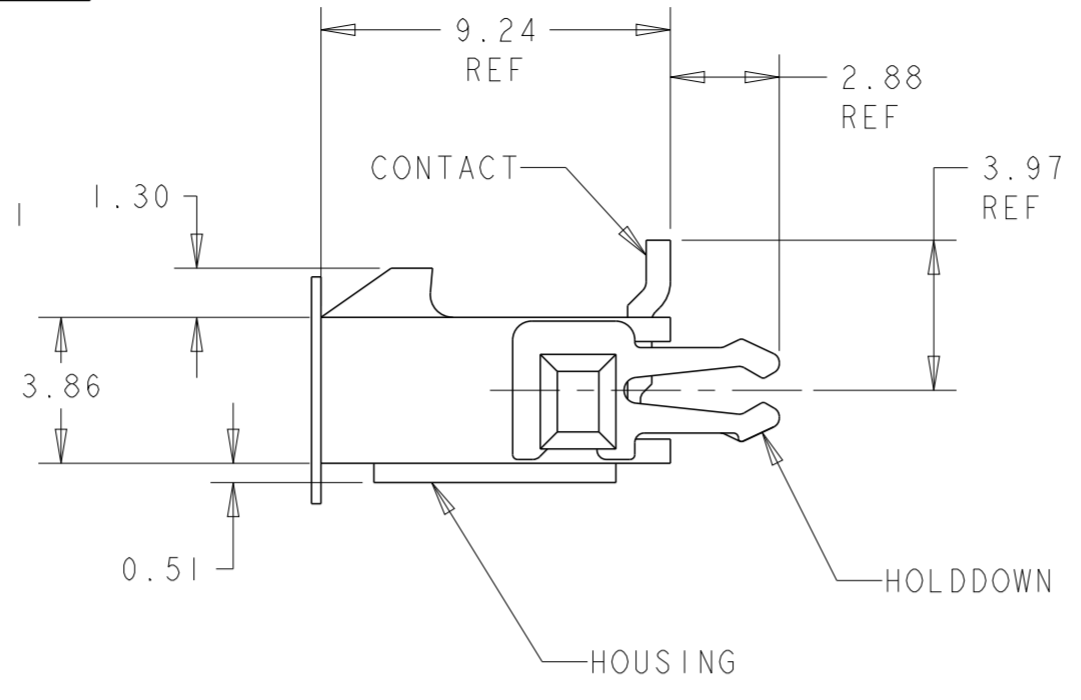
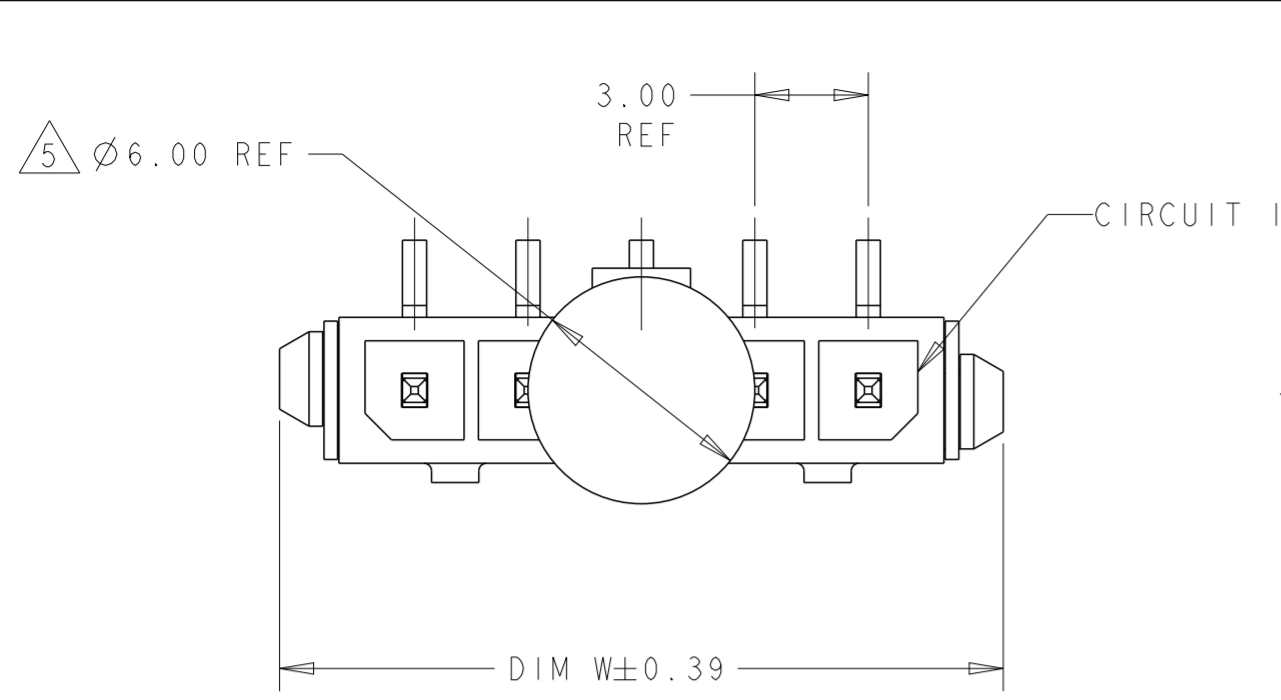
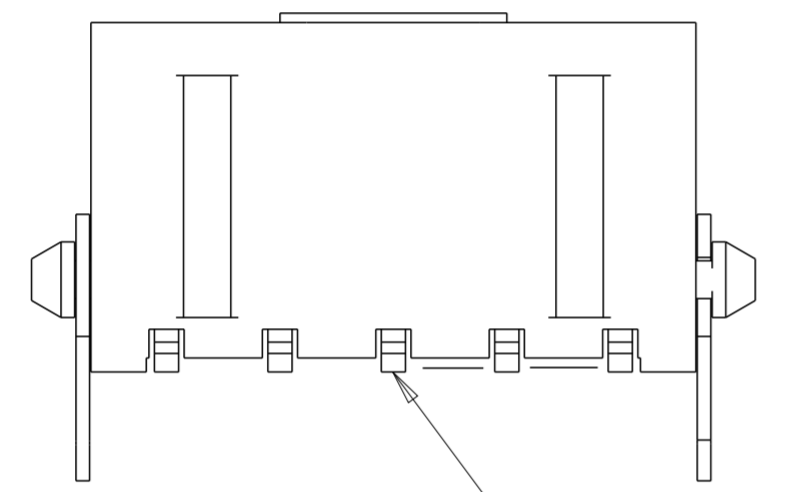


THIS DRAWING IS UNPUBLISHED. RELEASED FOR PUBLICATION 20
 © COPYRIGHT 20 BY - ALL RIGHTS RESERVED.

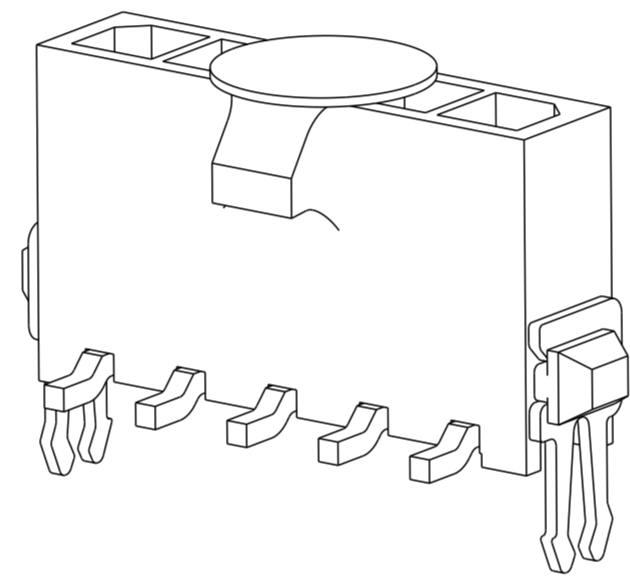
REVISIONS					
P	LTR	DESCRIPTION	DATE	DWN	APVD
	CI	REVISED PER ECR-16-011506	23JUN2017	NK	CX



- 1 MATERIAL: CONTACTS - BRASS
HOUSING - UL 94V-0 RATED HIGH TEMP NYLON, COLOR BLACK.
HOLDDOWNS: - PHOSPHOR BRONZE.
- 2 PLATING: CONTACTS - 0.76µm MINIMUM GOLD ON MATING END,
2.54µm MINIMUM TIN LEAD ON SOLDER TAILS, BOTH OVER
1.27µm MINIMUM NICKEL.
HOLDDOWNS: 2.54µm MINIMUM MATTE TIN OVER 1.27µm MINIMUM
NICKEL.
- 4 RECOMMENDED PC BOARD THICKNESS OF 1.57.
- 5 KAPTON VACUUM PICK UP BUTTON.
- 6 PLATING: CONTACTS - 0.76µm MINIMUM GOLD ON MATING END,
2.54µm MINIMUM MATTE TIN ON SOLDER TAILS, BOTH OVER
1.27µm MINIMUM NICKEL.
HOLDDOWNS: 2.54µm MINIMUM MATTE TIN OVER 1.27µm MINIMUM
NICKEL.

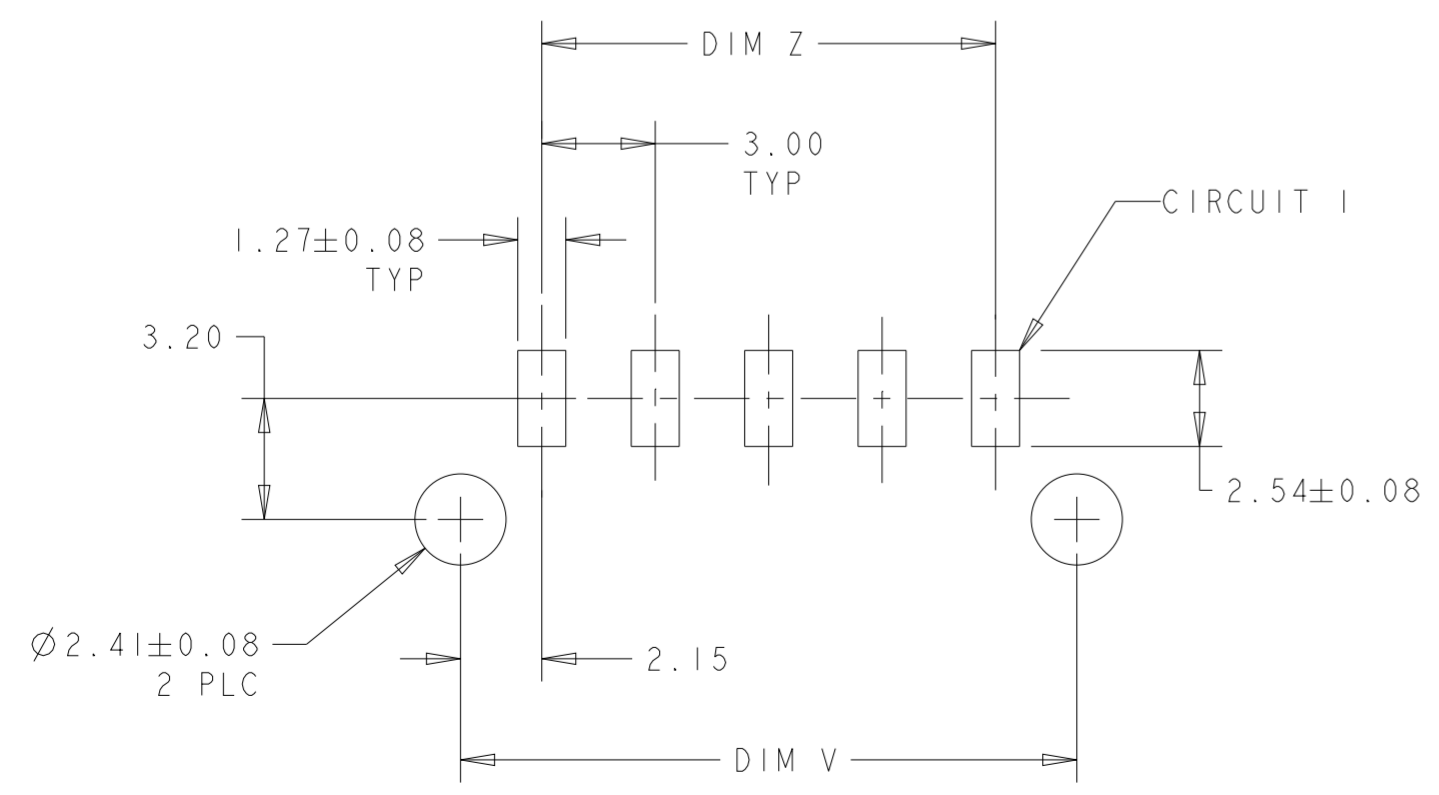


0.15
 INCLUDES CONTACT TAILS
 AND HOUSING STANDOFFS



FINISH	DIM Z	DIM V	DIM W	NO. OF POSN	PART NUMBER
6	33.00	37.43	40.00	12	3-1445095-2
6	30.00	34.43	37.00	11	3-1445095-1
6	27.00	31.43	34.00	10	3-1445095-0
6	24.00	28.43	31.00	9	2-1445095-9
6	21.00	25.43	28.00	8	2-1445095-8
6	18.00	22.43	25.00	7	2-1445095-7
6	15.00	19.43	22.00	6	2-1445095-6
6	12.00	16.43	19.00	5	2-1445095-5
6	9.00	13.43	16.00	4	2-1445095-4
6	6.00	10.43	13.00	3	2-1445095-3
6	3.00	7.43	10.00	2	2-1445095-2
2	33.00	37.43	40.00	12	+1445095-2
2	30.00	34.43	37.00	11	+1445095-1
2	27.00	31.43	34.00	10	+1445095-0
2	24.00	28.43	31.00	9	+445095-9
2	21.00	25.43	28.00	8	+445095-8
2	18.00	22.43	25.00	7	+445095-7
2	15.00	19.43	22.00	6	+445095-6
2	12.00	16.43	19.00	5	+445095-5
2	9.00	13.43	16.00	4	+445095-4
2	6.00	10.43	13.00	3	+445095-3
2	3.00	7.43	10.00	2	+445095-2

SUPERSEDED BY 3-1445095-2
 SUPERSEDED BY 3-1445095-1
 SUPERSEDED BY 3-1445095-0
 SUPERSEDED BY 2-1445095-9
 SUPERSEDED BY 2-1445095-8
 SUPERSEDED BY 2-1445095-7
 SUPERSEDED BY 2-1445095-6
 SUPERSEDED BY 2-1445095-5
 SUPERSEDED BY 2-1445095-4
 SUPERSEDED BY 2-1445095-3
 SUPERSEDED BY 2-1445095-2



PCB LAYOUT COMPONENT SIDE 4

THIS DRAWING IS A CONTROLLED DOCUMENT. DWN J.ROOT 09OCT2000
 CHK K.WHITAKER 20-FEB-2001
 APVD C.JONES 20-FEB-2001

TE Connectivity

VERTICAL SURF MOUNT HEADER ASSY,
 30 MIC GOLD CONTACTS, THRU HOLE
 HOLDDOWNS, SGL ROW, MICRO MATE-N-LOK™

SIZE A2 CAGE CODE 00779 DRAWING NO. C-1445095
 SCALE 5:1 SHEET 1 OF 1 REV CI

PRODUCT SPEC -
 APPLICATION SPEC -
 WEIGHT -

MATERIAL 1 SEE TABLE

Mouser Electronics

Authorized Distributor

Click to View Pricing, Inventory, Delivery & Lifecycle Information:

[TE Connectivity:](#)

[1445095-5](#)