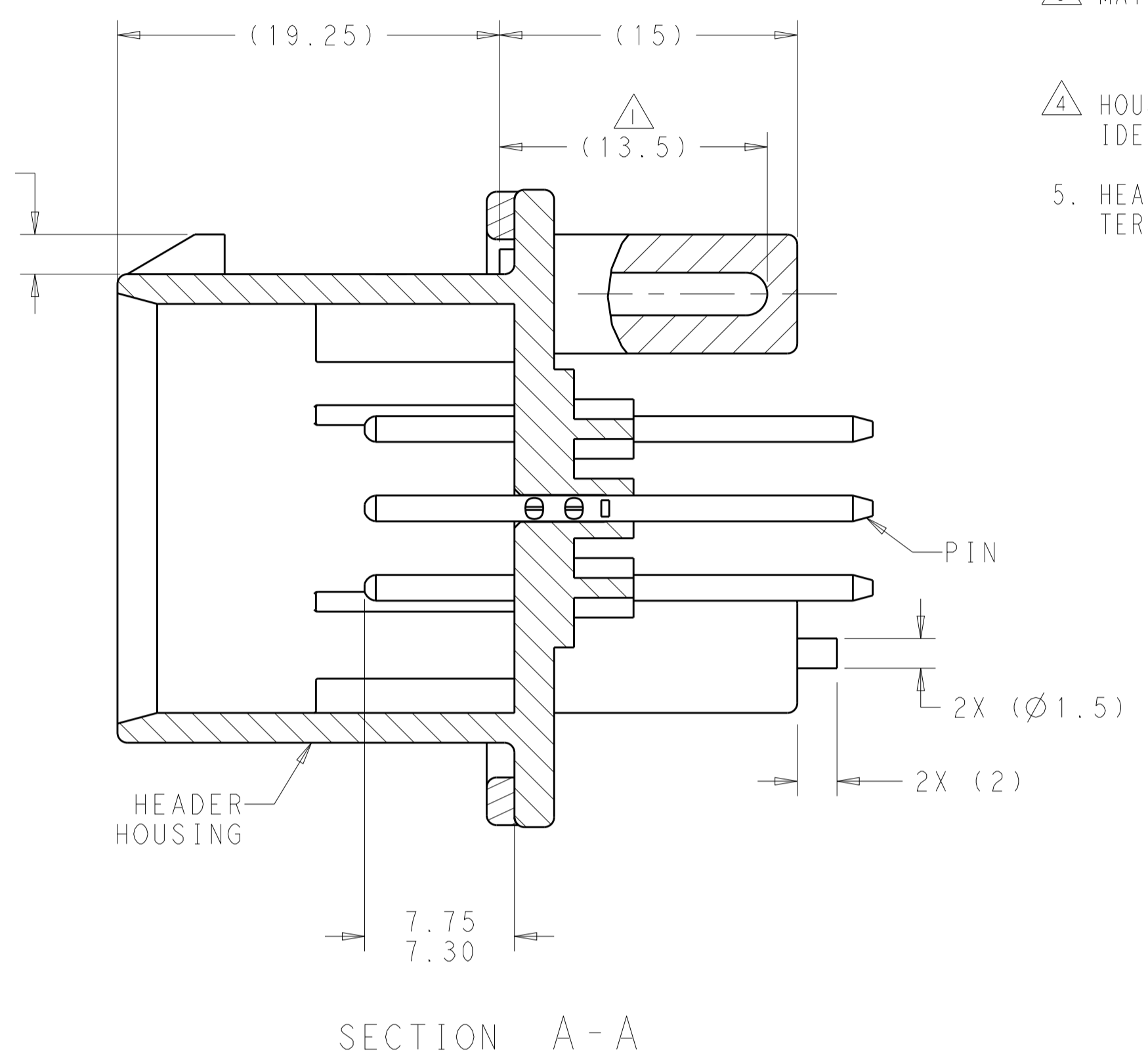
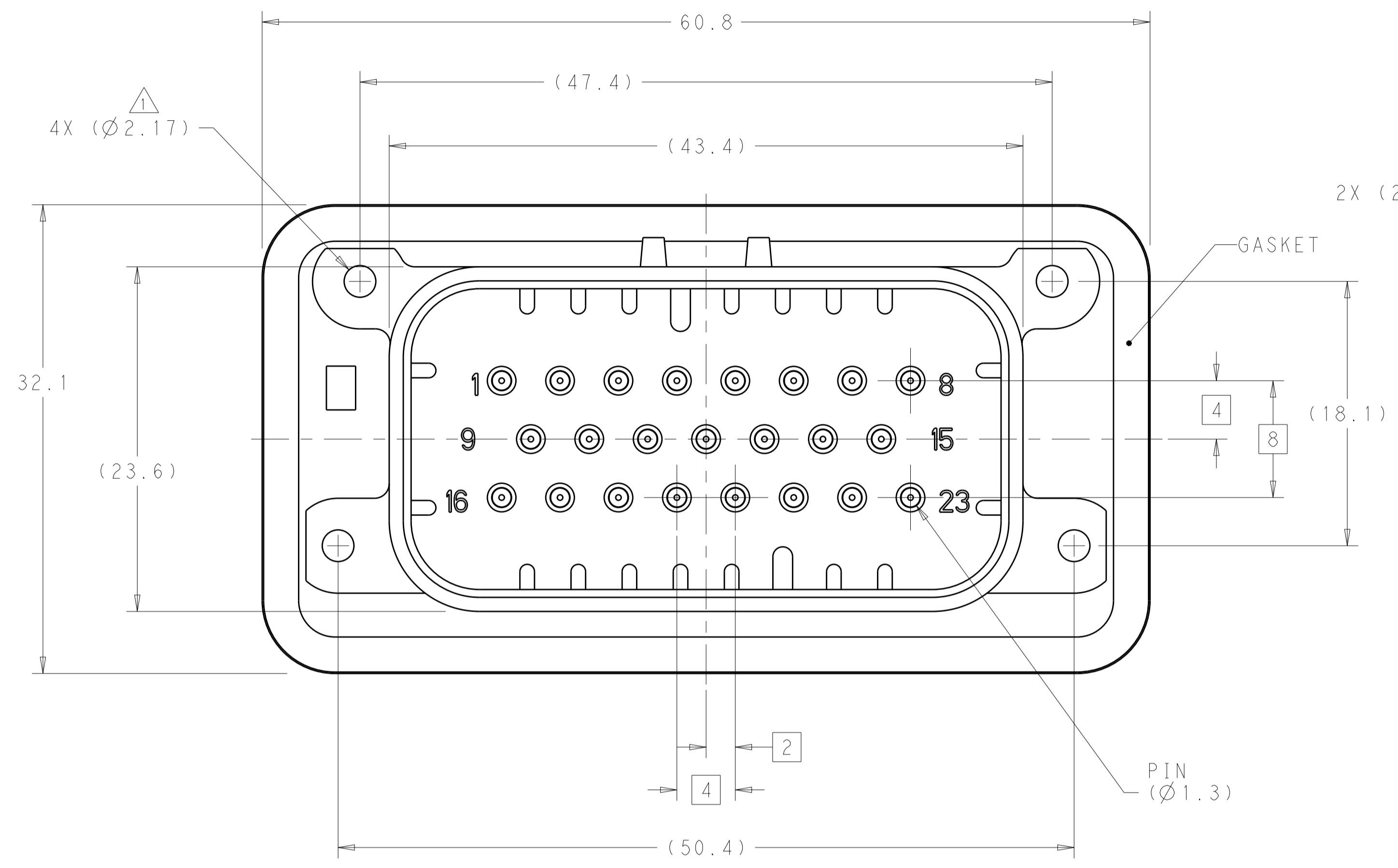
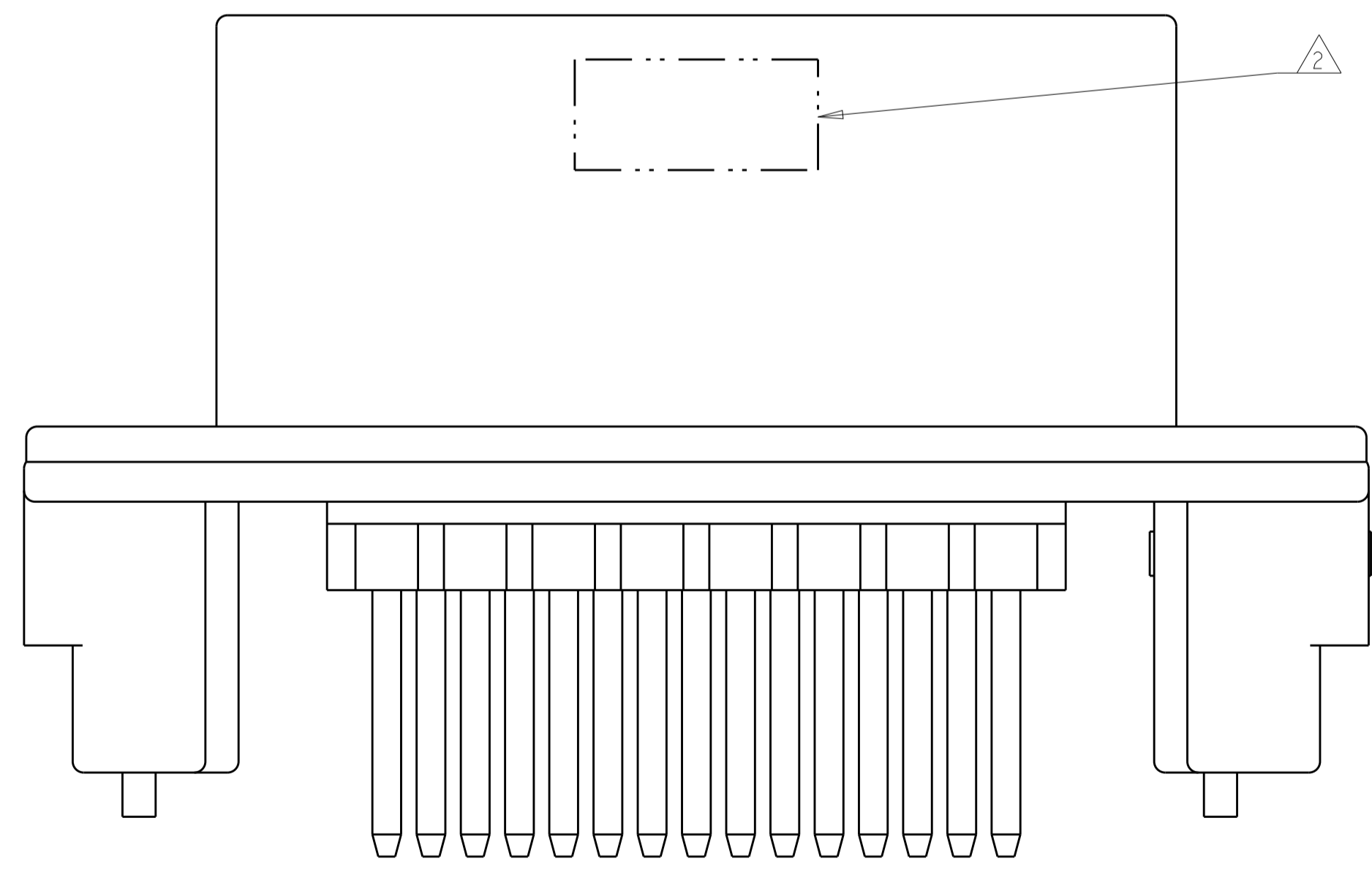


REVISIONS				
P.	LTN	DESCRIPTION	DATE	APP'D
C11		REVISED PER ECO-15-000100	22JAN2015	DD DS
C12		REVISED PER ECO-15-003872	25MAR2015	DD DS
C13		REVISED PER ECO-16-003526	09MAR2016	JM DS



- 1 ACCEPTS #3 SELF TAPPING THREAD FORMING SCREWS OR METRIC EQUIVALENT. DRIVE TO 0.6-0.8 N-m
- 2 DATE CODE TO BE BRANDED IN THIS LOCATION PER TE SPEC 102-60. USE 5 DIGIT CODE: FIRST 2 DIGITS = YEAR, SECOND 2 DIGITS = WEEK, LAST DIGIT = DAY
- 3 MATERIALS: HEADER HOUSING - GLASS FILLED PBT
PINS - TIN OR GOLD PLATED BRASS
GASKET - SILICONE
- 4 HOUSING COLORS ARE MECHANICALLY KEYED TO MATE ONLY WITH IDENTICALLY COLORED PLUG ASSEMBLIES.
- 5. HEADER MATES TO PLUG ASSEMBLY 770680 WHICH USES REELED TERMINAL 770520 OR LOOSE PIECE TERMINAL 770854



776228-1 & 1-776228-1 SHOWN

BLUE	DURAGOLD	1-776228-5
GRAY	DURAGOLD	1-776228-4
NATURAL	DURAGOLD	1-776228-2
BLACK	DURAGOLD	1-776228-1
BLUE	TIN	776228-5
GRAY	TIN	776228-4
NATURAL	TIN	776228-2
BLACK	TIN	776228-1
HEADER COLOR	PLATING	PART NUMBER

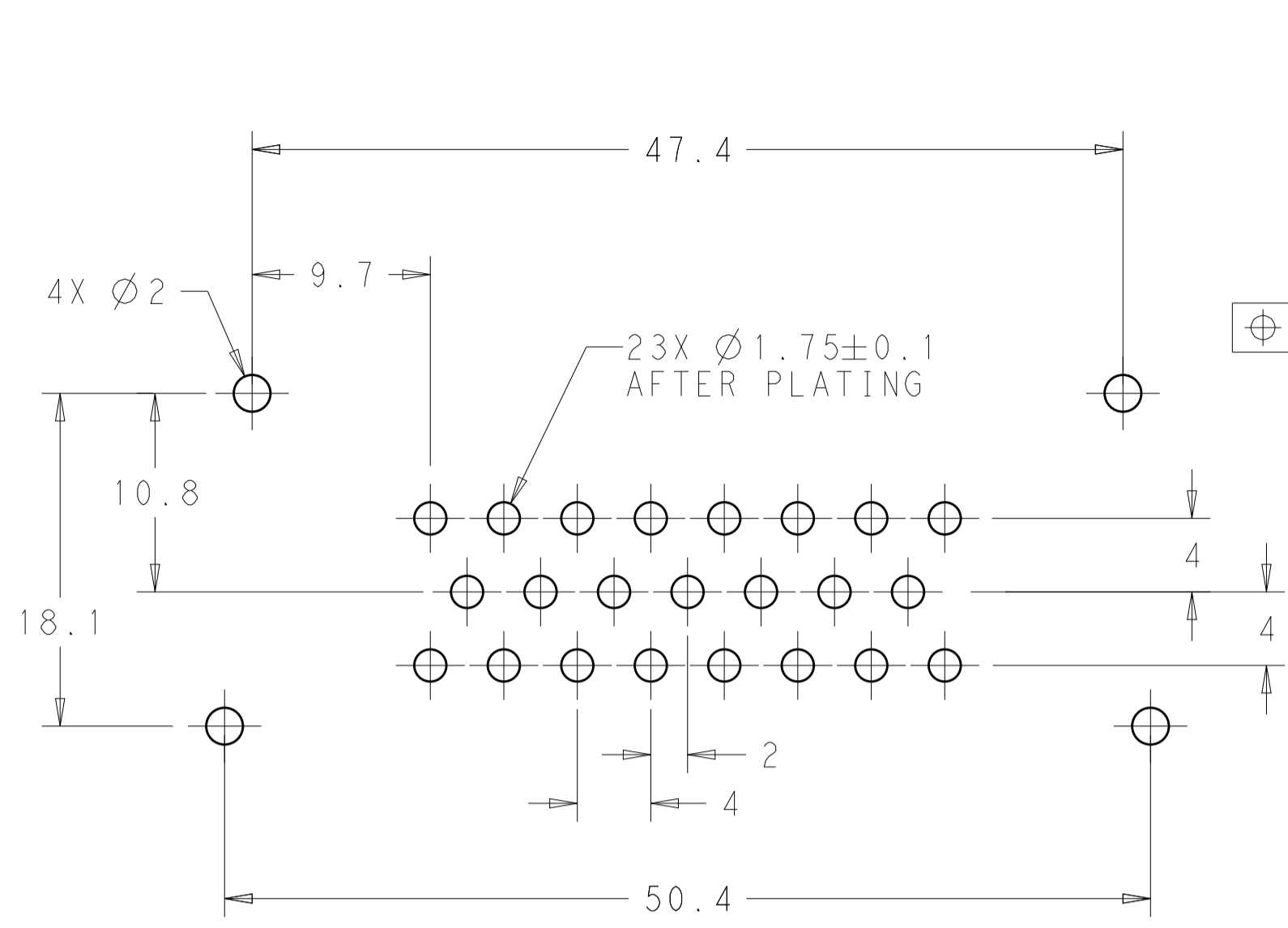
THIS DRAWING IS A CONTROLLED DOCUMENT.

DIMENSIONS:	TOLERANCES UNLESS OTHERWISE SPECIFIED:	OWN: D. STRAUSSER 05MAR2010	CHK: D. STRAUSSER 22MAR2010	APVD: D. STRAUSSER 27APR2010
mm	0 PLC ±0.25 2 PLC ±0.13 3 PLC ±0.13 4 PLC ±0.13	PRODUCT SPEC	108-1329	APPLICATION SPEC
ANGLES	FINISH: ±0.05	SIZE	114-16016	WEIGHT
MATERIAL	FINISH	CUSTOMER DRAWING	SCALE 4:1	SHEET 1 OF 2

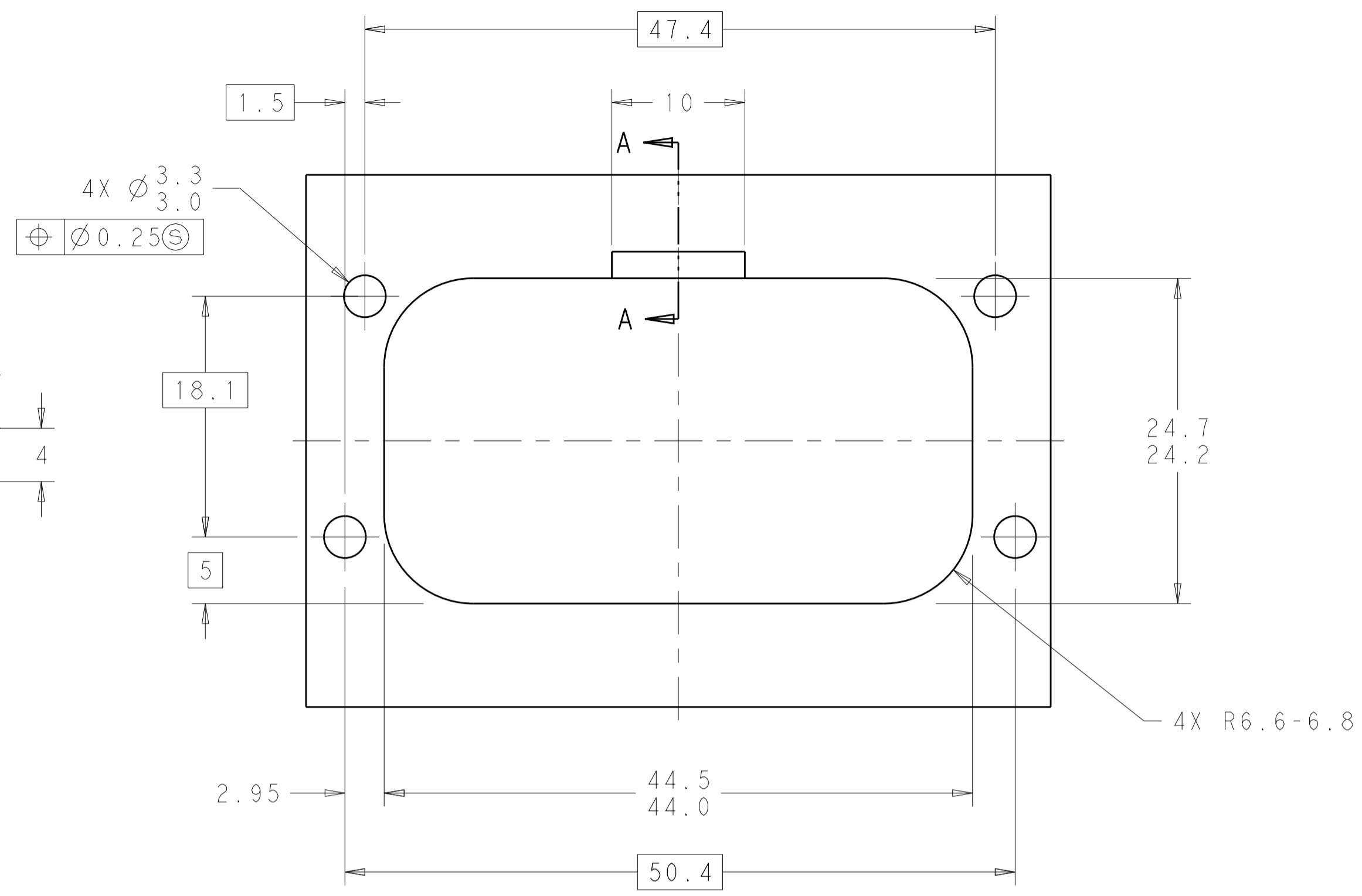
RESTRICTED TO: A100779C=776228

TE Connectivity
 ASSEMBLY, HEADER, 23 POSITION, VERTICAL, AMPSEAL WITH FLANGE SEAL

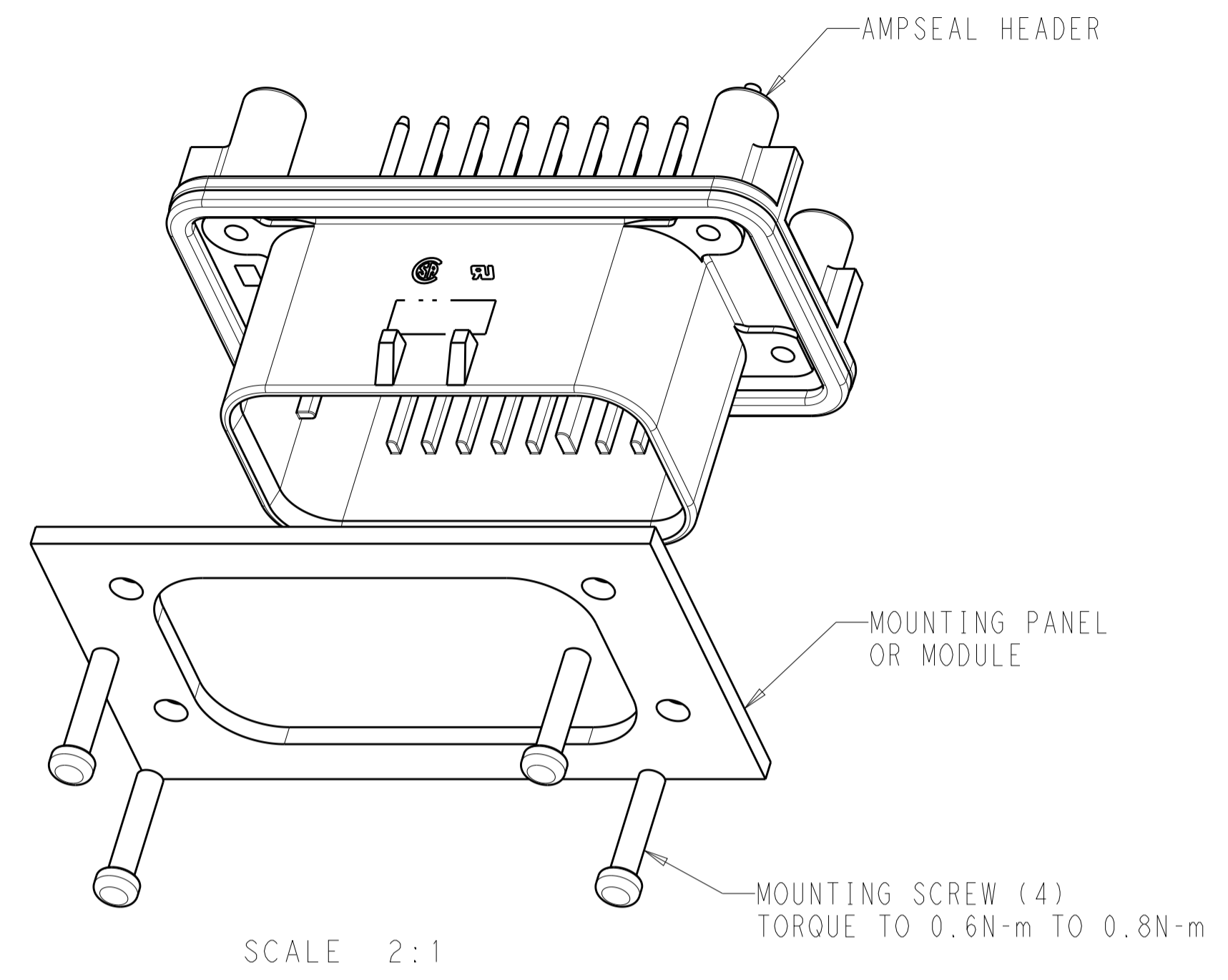
REVISIONS				
P.	LTM	DESCRIPTION	DATE	APP'D
-	-	SEE SHEET 1	-	-



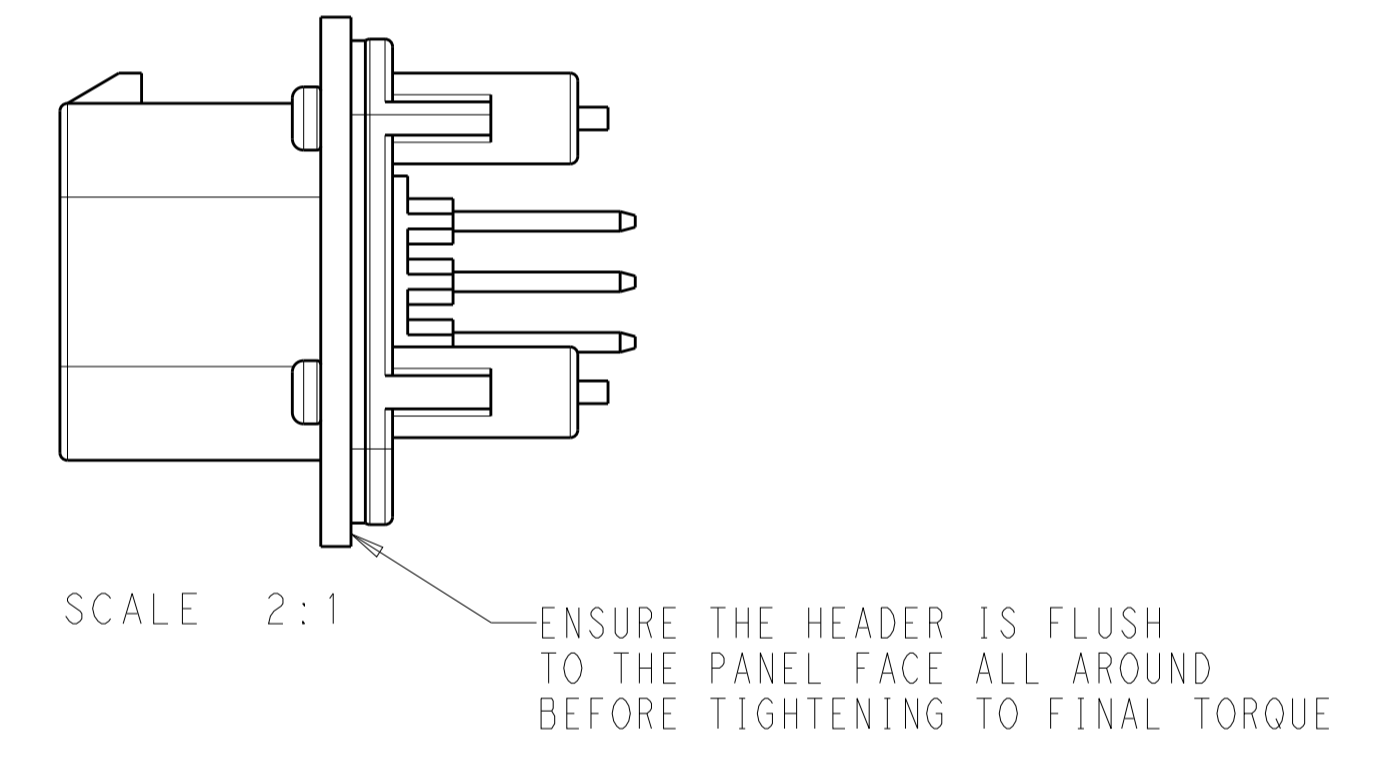
RECOMMENDED P.C. BOARD LAYOUT FOR 1.57 THICK P.C. BOARD



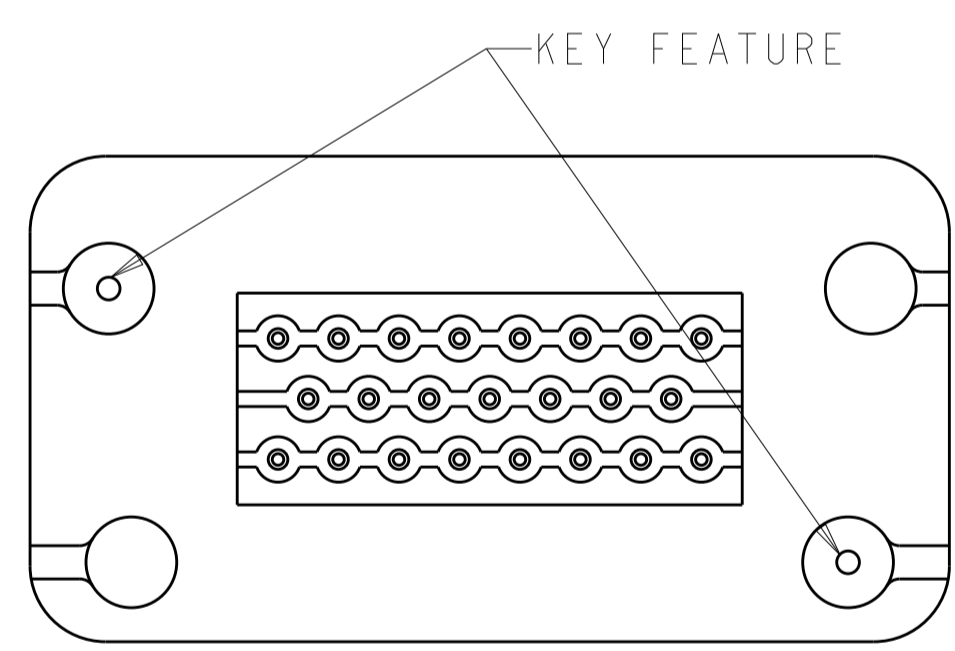
RECOMMENDED MOUNTING HOLE LAYOUT FOR 5.0 MAX THICK PANEL



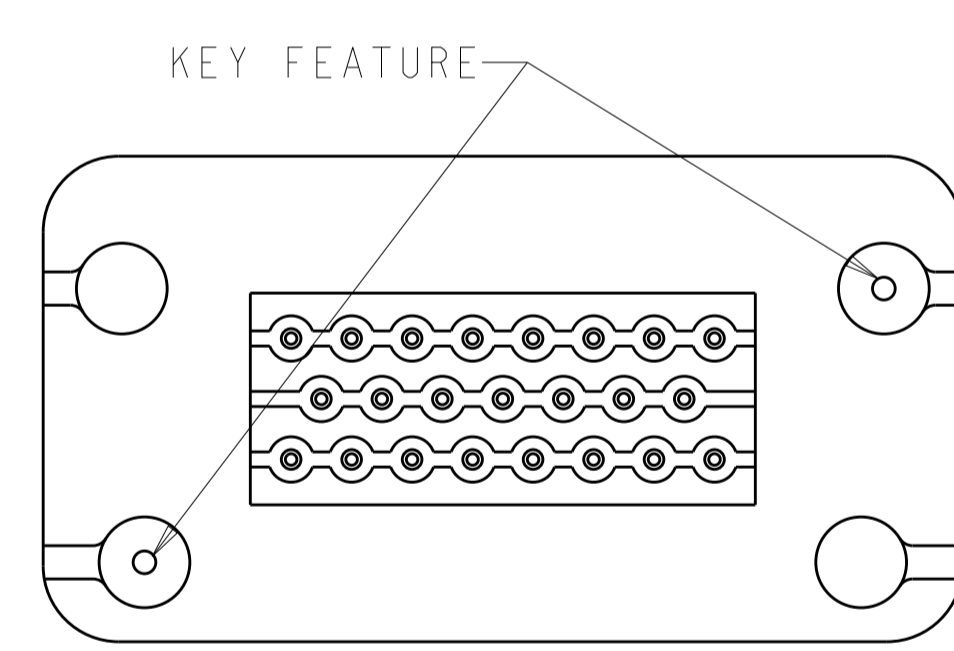
SCALE 2:1



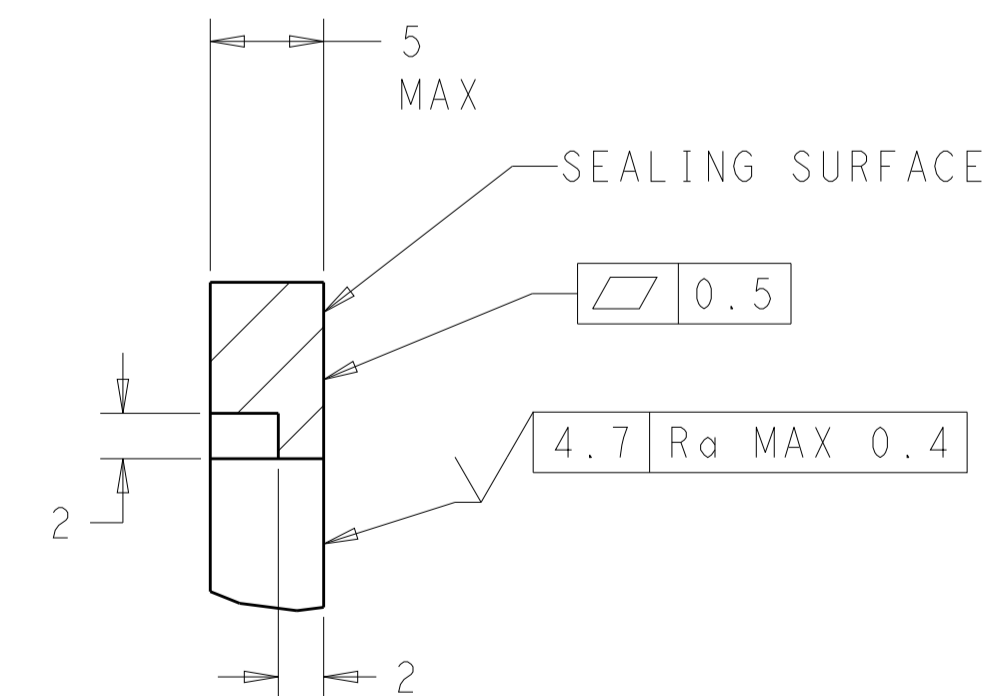
SCALE 2:1



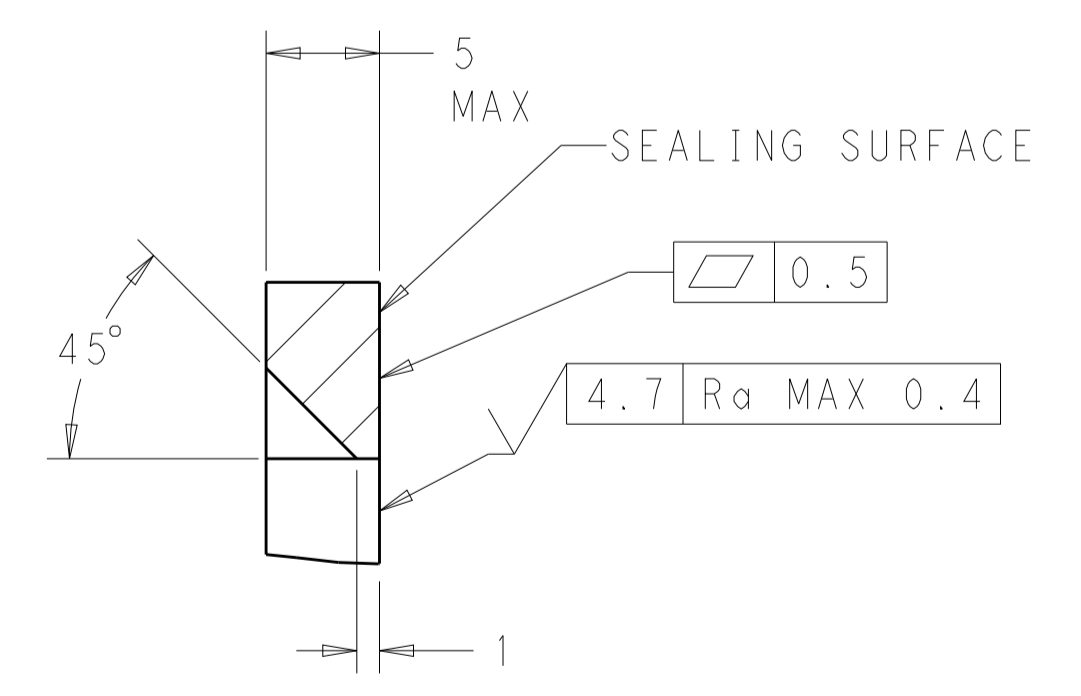
KEYING FOR 776228-1 AND 776228-5 SCALE 2:1



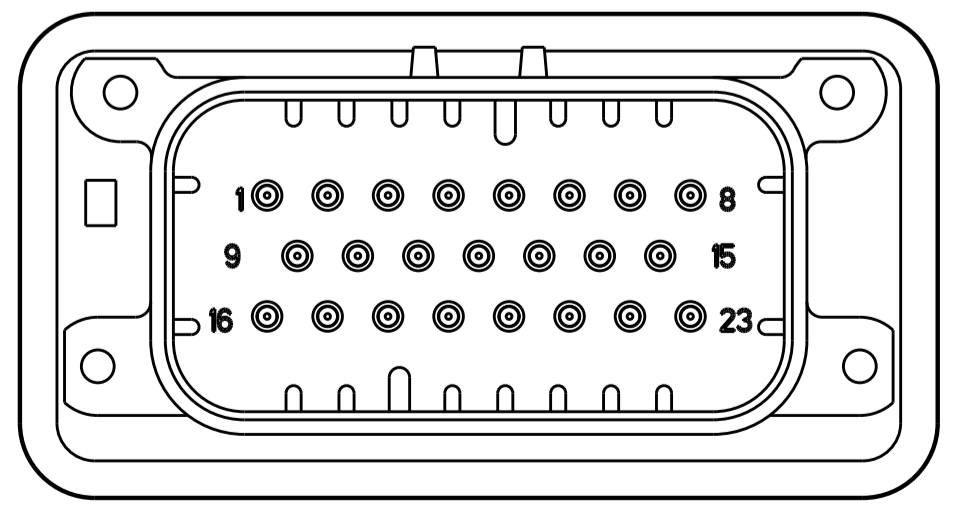
KEYING FOR 776228-2 AND 776228-4 SCALE 2:1



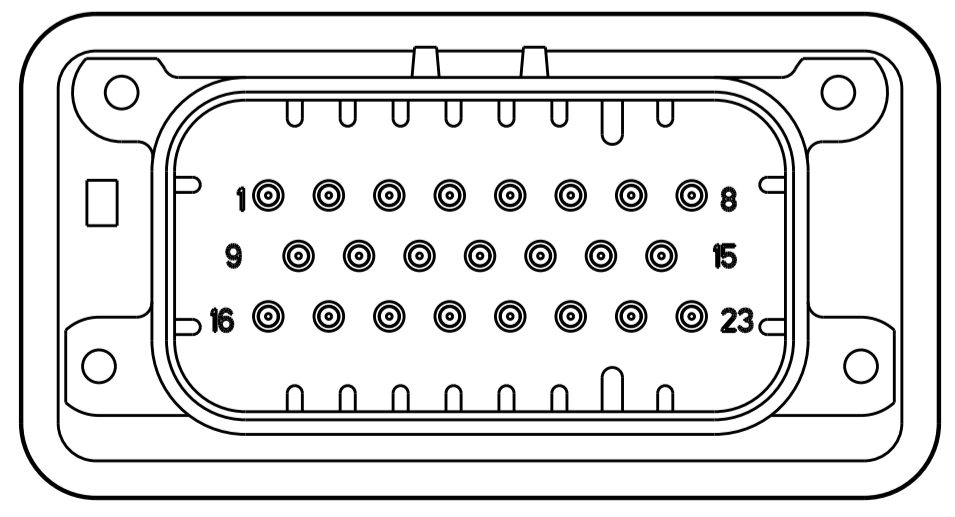
SECTION A-A
OPTIONAL CONSTRUCTION IF PANEL THICKNESS IS GREATER THAN 2.0



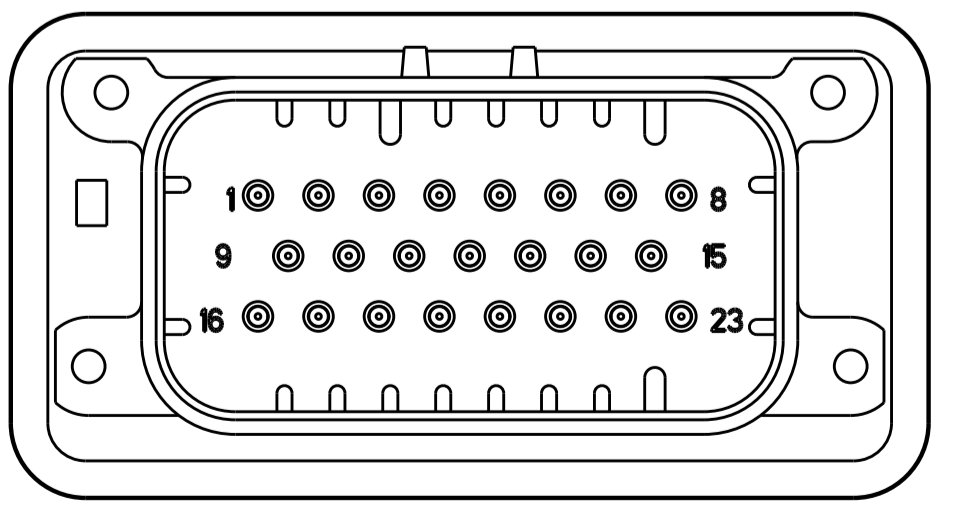
SECTION A-A
OPTIONAL CONSTRUCTION IF PANEL THICKNESS IS GREATER THAN 2.0



776228-2 & 1-776228-2
KEY LOCATION
SCALE 2:1



776228-4 & 1-776228-4
KEY LOCATION
SCALE 2:1



776228-5 & 1-776228-5
KEY LOCATION
SCALE 2:1

THIS DRAWING IS A CONTROLLED DOCUMENT.		OWN: D. STRAUSSER 05MAR2010	TE Connectivity
DIMENSIONS: mm		CHK: D. STRAUSSER 22MAR2010	
TOLERANCES UNLESS OTHERWISE SPECIFIED:		APP'D: D. STRAUSSER 27APR2010	NAME: ASSEMBLY, HEADER, 23 POSITION, VERTICAL, AMPSEAL WITH FLANGE SEAL
0 PLC	±	PRODUCT SPEC	SIZE: CAGE CODE DRAWING NO. RESTRICTED TO
1 PLC	±0.2	108-1329	A100779C=776228
2 PLC	±0.13	APPLICATION SPEC	SCALE: 2:1 SHEET 2 OF 2 REV: C13
3 PLC	±	114-16016	
4 PLC	±	WEIGHT	
ANGLES	±	CUSTOMER DRAWING	
FINISH	±		

Mouser Electronics

Authorized Distributor

Click to View Pricing, Inventory, Delivery & Lifecycle Information:

[TE Connectivity:](#)

[776228-1](#)