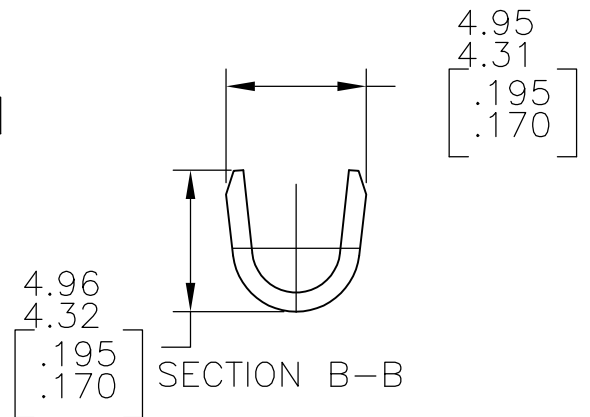
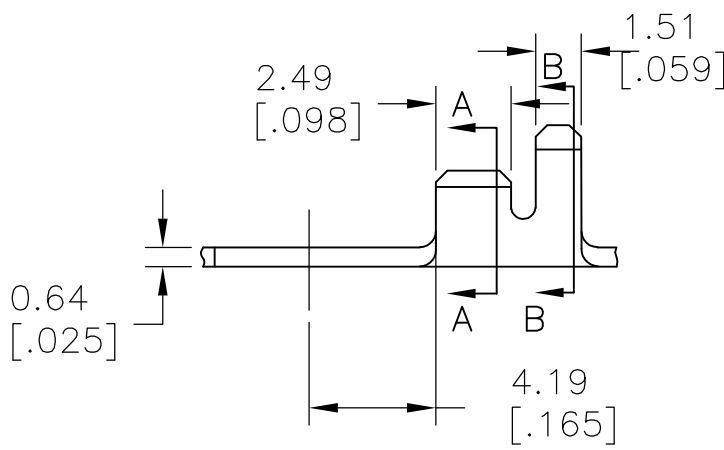
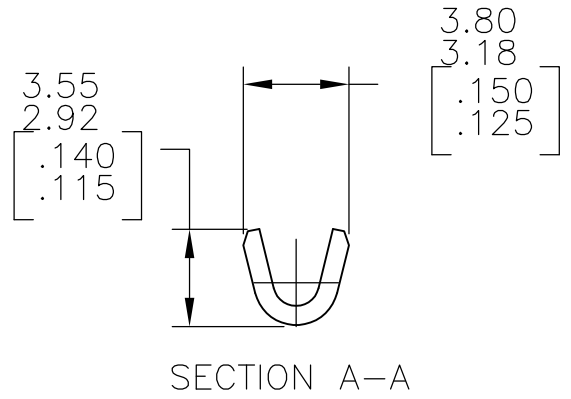
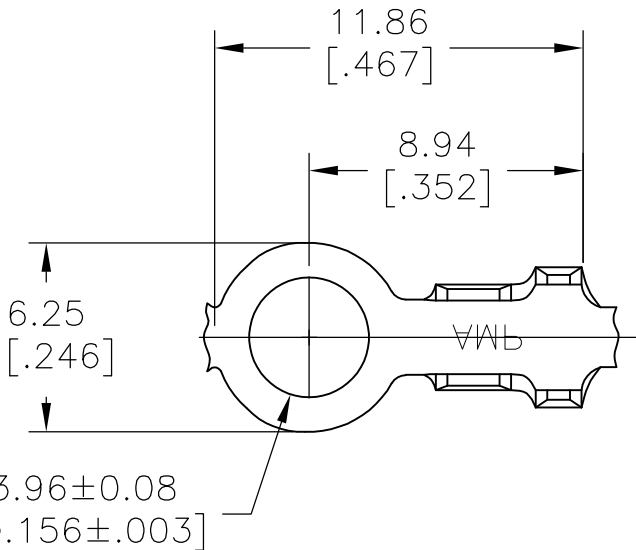


LOC AF	DIST —	REVISIONS			DATE	DWN	APVD
		P	LTR	DESCRIPTION			
			D1	REVISED PER ECR-10-019776	22OCT10	HMR	PD



- 1 CONTINUOUS STRIP, ON REELS
- 2 WIRE SIZE: #20-16 AWG
- 3 INSULATION RANGE # .100-.135

41471
PART NUMBER

DIMENSIONS: mm [INCHES]	DWN RAGHAVENDRA	22OCT10	MATERIAL BRASS	FINISH —
	CHK DESANTIS PETER	22OCT10	Tyco Electronics Corporation Harrisburg, PA 17105-3608	
TOLERANCES UNLESS OTHERWISE SPECIFIED:	APVD DESANTIS PETER	22OCT10		
0 PLC ± —	PRODUCT SPEC	—	SIZE A4	CAGE CODE 00779
1 PLC ± —	APPLICATION SPEC	—	DRAWING NO C-41471	RESTRICTED TO —
2 PLC ± —	WEIGHT	—	CUSTOMER DRAWING	
3 PLC ± .015			SCALE 4:1	SHEET 1 OF 1
4 PLC ± —				REV D1
ANGLES ± 1°				

THIS DRAWING IS UNPUBLISHED. ALL INTERNATIONAL RIGHTS RESERVED. BY TYCO ELECTRONICS CORPORATION. © COPYRIGHT

Mouser Electronics

Authorized Distributor

Click to View Pricing, Inventory, Delivery & Lifecycle Information:

[TE Connectivity:](#)

[41471](#)