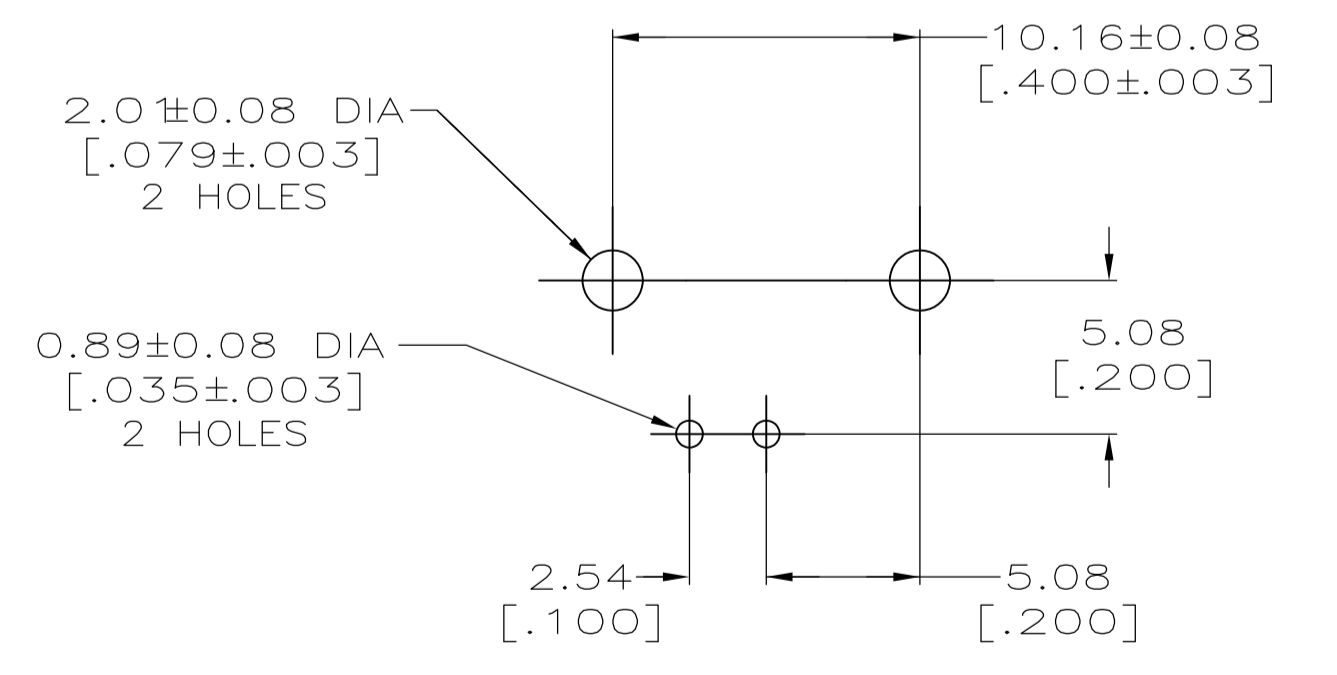
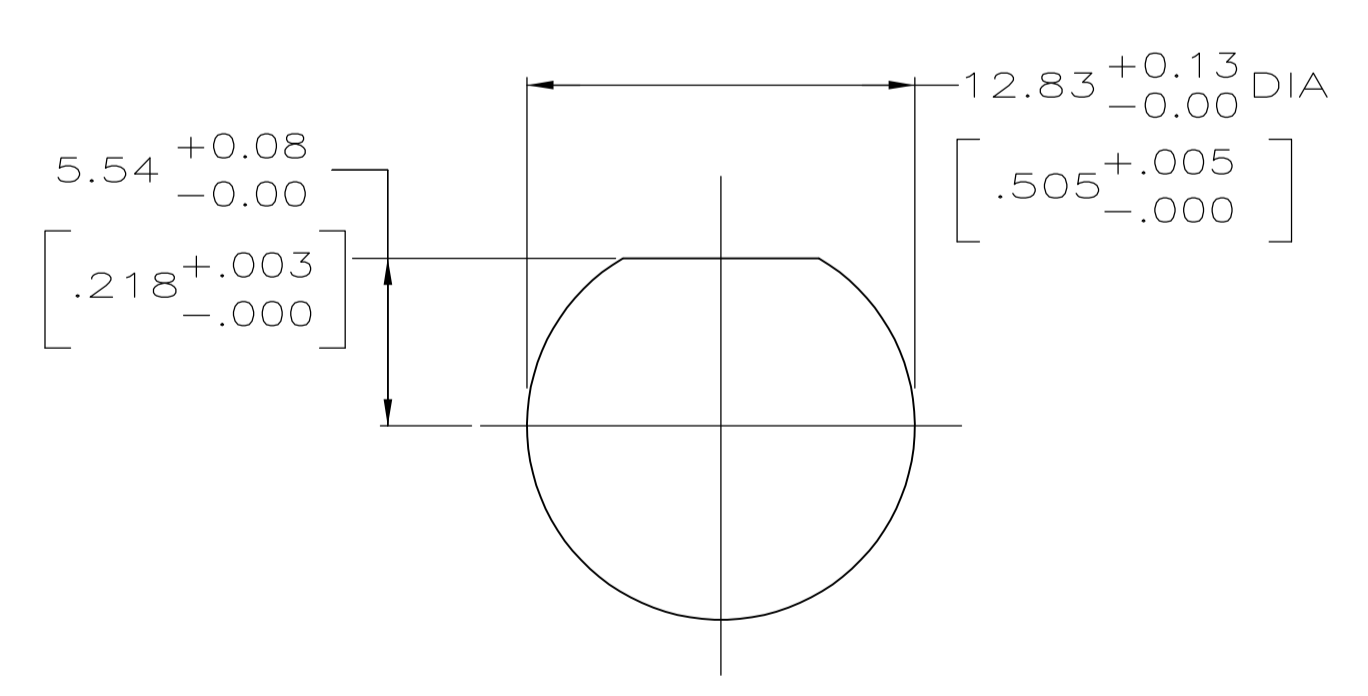
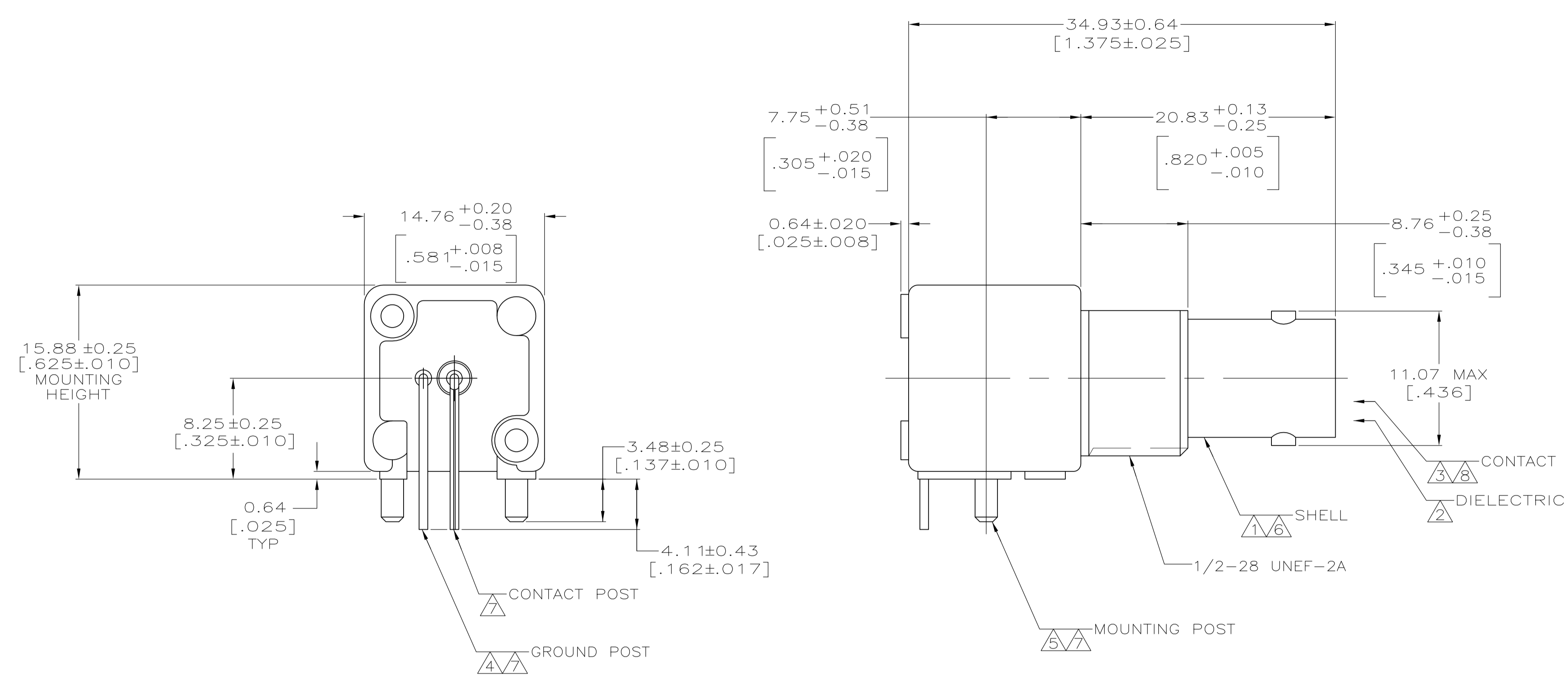


LOC		DIST		REVISIONS			
P	LTR	DESCRIPTION	DATE	DWN	APVD		
AJ	16						
A1		REVISED PER ECO-11-005030	11MAR11	RK	HMR		

- 1 ZINC PER QQ-Z-363.
- 2 POLYMETHYLPENTENE PER ASTM D 1238.
- 3 PHOSPHOR BRONZE PER QQ-B-750.
- 4 BRASS PER ASTM B 453.
- 5 BRASS PER ASTM B 16.
- 6 NICKEL PLATE PER QQ-N-290, 3.81μm [.000150] MINIMUM THICK.
- 7 TIN PLATE PER ASTM B 545, 3.81μm [.000150] MINIMUM THICK.
- 8 GOLD PLATE PER ASTM B 488, 0.76μm [.000030] MINIMUM THICK.
- 9. SEE INSTRUCTION SHEET 408-2769.



5227677-1
PART NUMBER

THIS DRAWING IS A CONTROLLED DOCUMENT.		DIN L VARELA - 20APR2005		STE TE Connectivity	
DIMENSIONS: mm (INCHES)		CHK J HAVENER		NAME	
TOLERANCES UNLESS OTHERWISE SPECIFIED:		APVD J LIPPERT 23JUN2005		PRODUCT SPEC	
0 PLC ± -		APPLICATION SPEC		108-12078	
1 PLC ± -		SIZE		CAGE CODE	
2 PLC ± 0.05 [.002]		A1		00779	
3 PLC ± -		DRAWING NO		5227677	
4 PLC ± -		RESTRICTED TO		-	
ANGLES ± -		WEIGHT		-	
MATERIAL SEE NOTES		FINISH SEE NOTES		CUSTOMER DRAWING	
		SCALE		SHEET	
		4:1		1 OF 1	
				REV A1	

Mouser Electronics

Authorized Distributor

Click to View Pricing, Inventory, Delivery & Lifecycle Information:

[TE Connectivity:](#)

[5227677-1](#)