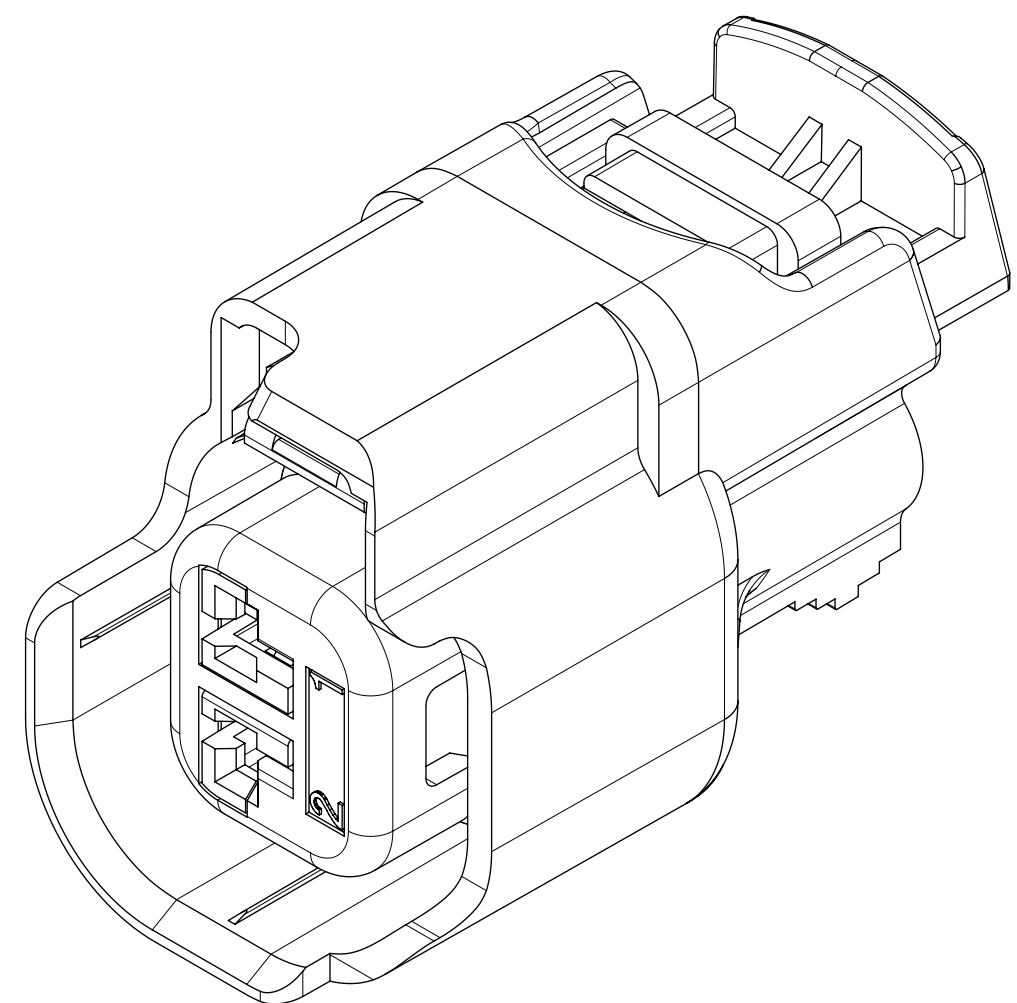
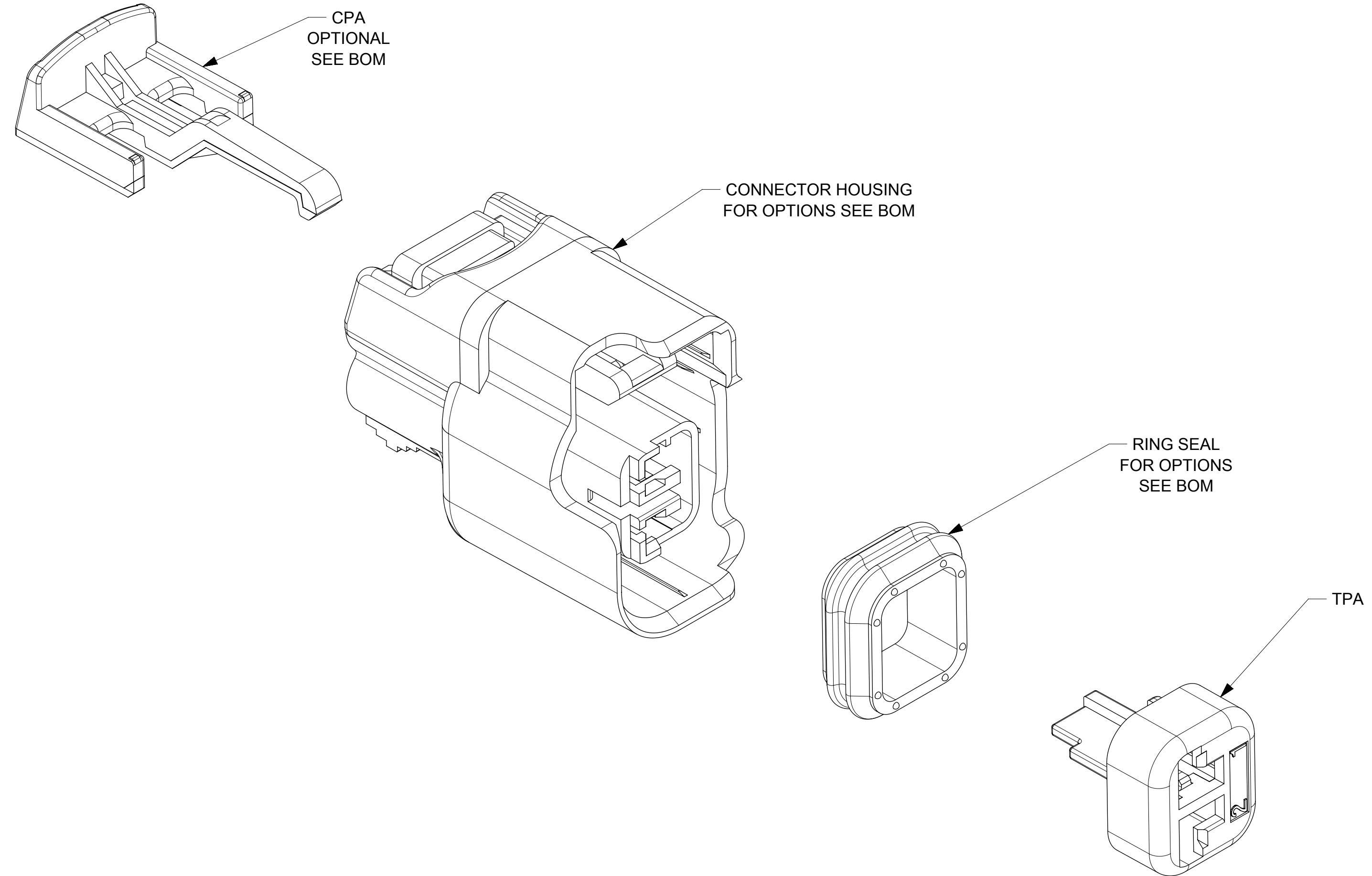


TABLE OF CONTENTS	
SHEET NO.	SHEET DESCRIPTION
1	NOTES
2, 3	CONFIGURATIONS
4	RECEPTACLE CONNECTOR ASSEMBLY
5	MOLEX INTERFACE

NOTES: VALID UNLESS OTHERWISE SPECIFIED

1. GENERAL:
- a. APPLICATION SPECIFICATION SEE: AS-34062-000
    - CONTAINS: PRODUCT INTRODUCTION, PRODUCT SUMMARY, CONNECTOR ASSEMBLY, PACKAGING INFORMATION, CONNECTOR MATING, SERVICE INSTRUCTIONS, ELECTRICAL CONTINUITY CHECKING, CRIMPING, AND TROUBLESHOOTING.
    - DESIGNED TO MATE WITH DEVICE CONNECTION AS SPECIFIED IN DRAWING EWCAP 150-S-002-1-Z01. AVAILIBLE AT <http://ewcap.uscarteams.org/>.
    - DESIGNED TO MATE WITH BLADE SEALED ASSEMBLY AS SPECIFIED IN DRAWING: SD-34675-001
    - ASSEMBLY SHIPPED WITH TPA IN PRE-LOCK (SEE TPA PRE-LOCK VIEW IN SHEET 4)
  - b. PRODUCT SPECIFICATION SEE: PS-34062-000
    - CONTAINS: SCOPE, PRODUCT DESCRIPTION, INTEGRAL COMPONENTS AND ACCESSORIES, APPLICABLE DOCUMENTS AND SPECIFICATIONS, RATINGS, PERFORMANCE, PACKAGING, GAUGE AND FIXTURES, AND OTHER INFORMATION.
  - c. PACKAGING SPECIFICATION PER MOLEX DRAWING: PK-30907-879
  - d. PARTS MUST BE IN COMPLIANCE TO MOLEX CHEMICAL SUBSTANCES FOR PRODUCTS AND PACKAGING SPECIFICATION: QEHS-699000-301
  - e. DATA MUST BE SUBMITTED UNDER THE MOLEX PART NUMBER TO IMDS (COMPANY ID#13255)
2. DESIGN - MATERIALS:
- a. SEE BOM TABLE IN SD-34062-004
3. DESIGN - GEOMETRY:
- a. THIS IS A 100% CAD GENERATED PART. THE CAD MATHEMATICAL DATA IS THE MASTER FOR THIS PART. FOR DIMENSIONAL OR ANY INFORMATION NOT SHOWN ON THIS DRAWING, ANALYZE THE CAD MODEL.
  - b. GEOMETRIC DIMENSIONS AND TOLERANCES PER ASME Y14.5M - 1994
  - c. EDGES AND UNDIMENSIONED DETAILS PER ISO13715
  - d. CORNERS SHOWN AS SHARP TO BE R 0.2 MAX.
  - e. LETTERING SHALL BE 0.15 MAX RAISED IN 0.25 MAX RECESS PAD. THIS INCLUDES RECYCLING CODE, CAVITY ID, VENDOR IDENTIFICATION, AND CUSTOMER MATERIAL NUMBER.
  - f. VISUAL DEFECTS SHALL MEET COSMETIC STANDARD PS-45499-002 (Class B)
  - g. LASER MARKING: TBD



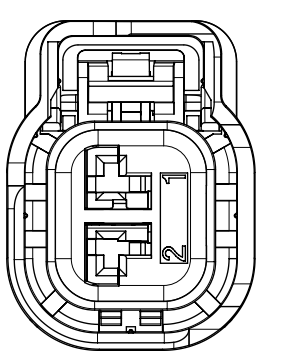
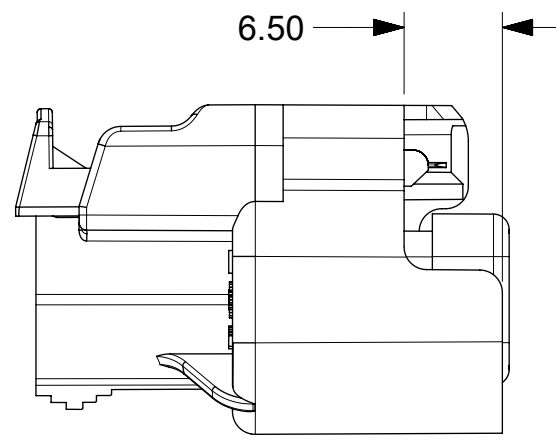
J19	NX RE-MASTERING
J18	ADDED DIM ICD 64
REV.	DESCRIPTION

THIS DRAWING CONTAINS INFORMATION THAT IS PROPRIETARY TO MOLEX ELECTRONIC TECHNOLOGIES, LLC AND SHOULD NOT BE USED WITHOUT WRITTEN PERMISSION		DIMENSION UNITS MM		SCALE 4:1			
GENERAL TOLERANCES (UNLESS SPECIFIED)		DRWN BY KCUNNINGHAM		DATE 2011/11/08			
ANGULAR TOL ± 3.0 °		CHKD BY MVANSLAMBROU		DATE 1/26/2012		PRODUCT CUSTOMER DRAWING	
4 PLACES ±		APPR BY KDEKOSKI		DATE 2017/06/14		SERIES 34062	
3 PLACES ±		DRAWING SIZE D		THIRD ANGLE PROJECTION		MATERIAL NUMBER SEE NOTE 2a	
2 PLACES ± 0.1		DRAFT WHERE APPLICABLE MUST REMAIN WITHIN DIMENSIONS		CUSTOMER GENERAL MARKET		DOCUMENT NUMBER SD-34062-002	
1 PLACE ± 0.3		EC NO: 117955 DRWN: PKABBUR CHKD: KDEKOSKI REV: APPR:		DOC TYPE PSD		DOC PART 000	
0 PLACES ±		J19		SHEET NUMBER 1 OF 5			

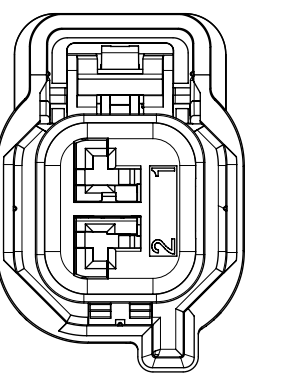
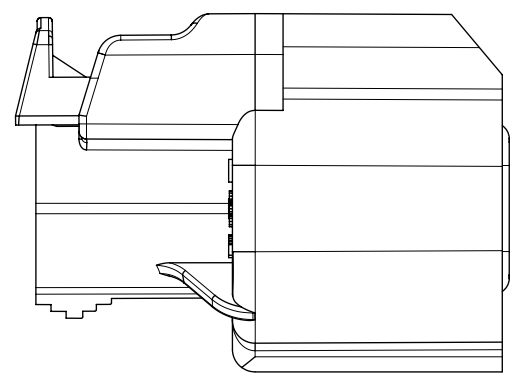
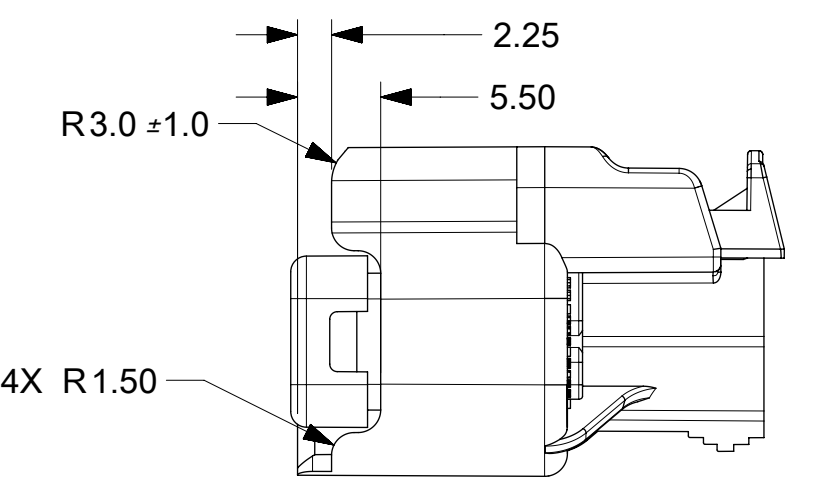
INSPECTION BALLOON NUMBER LOG	
PER DRAWING REVISION:	J18
LAST BALLOON NUMBER USED:	ICD 64
ADDED BALLOON NUMBERS:	ICD 64
REMOVED BALLOON NUMBERS:	ICD 7, ICD 8, ICD 9, ICD 18, ICD 19, ICD 20, ICD 41, ICD 42

RELEASE STATUS	RELEASE DATE

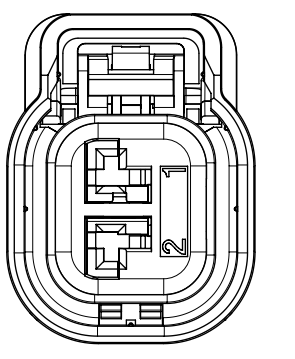
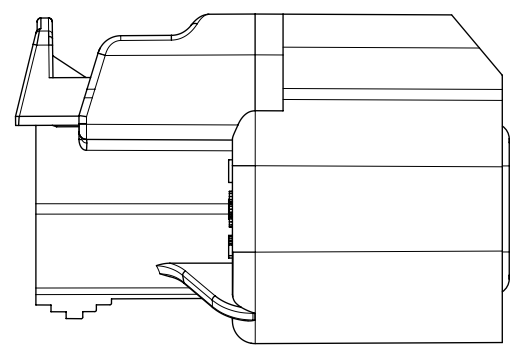
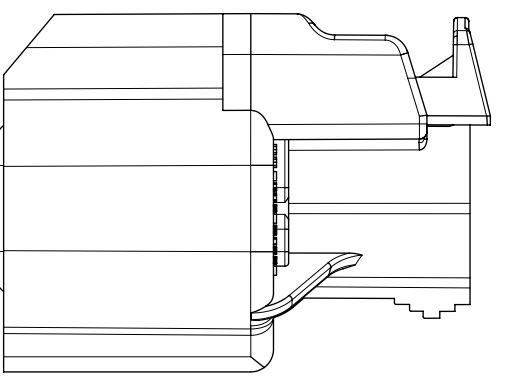
SHEET DESCRIPTION  
CONFIGURATIONS



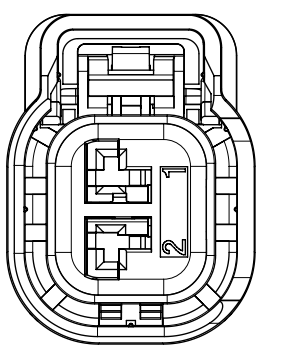
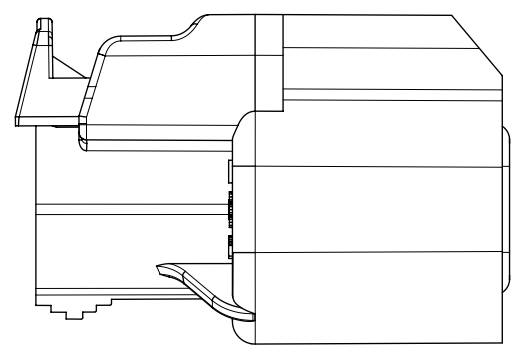
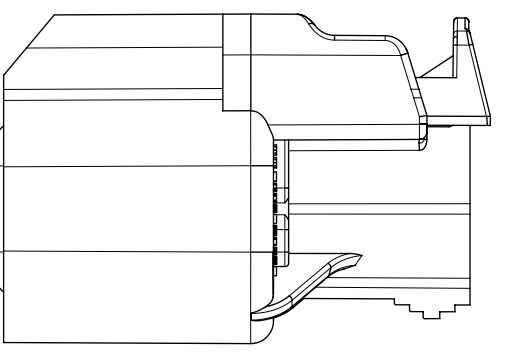
OPTION A



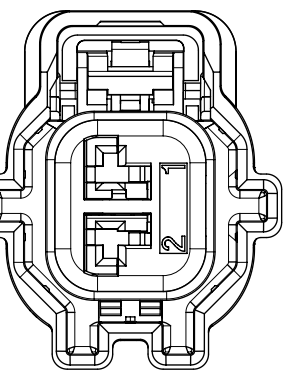
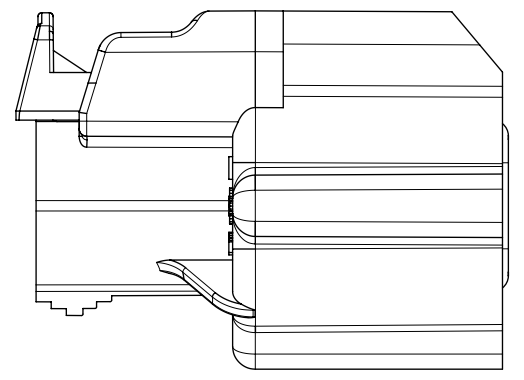
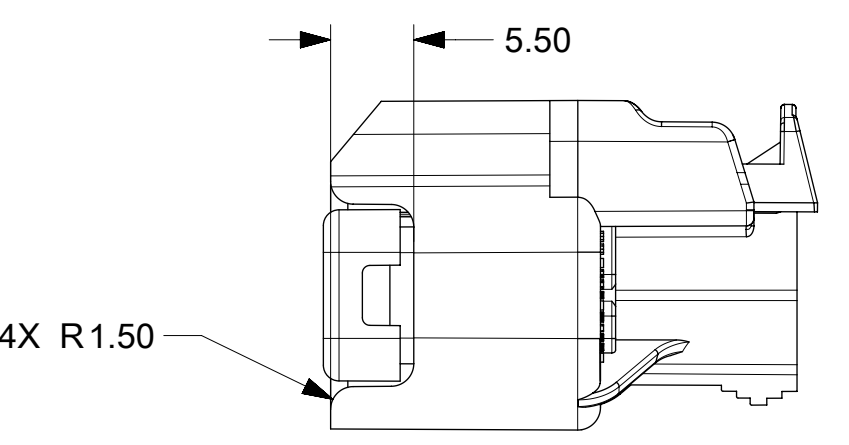
OPTION B



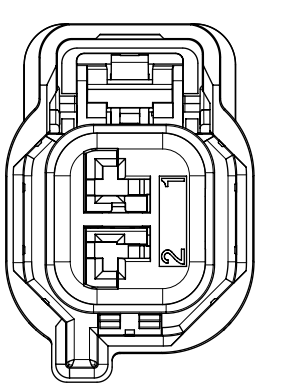
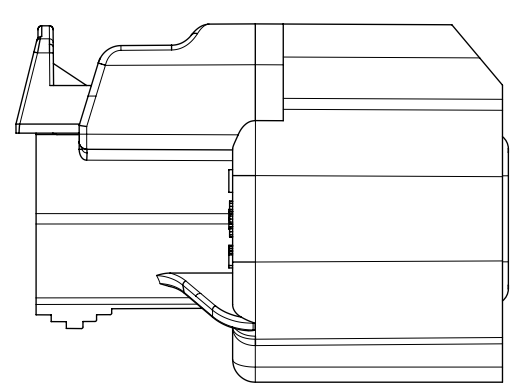
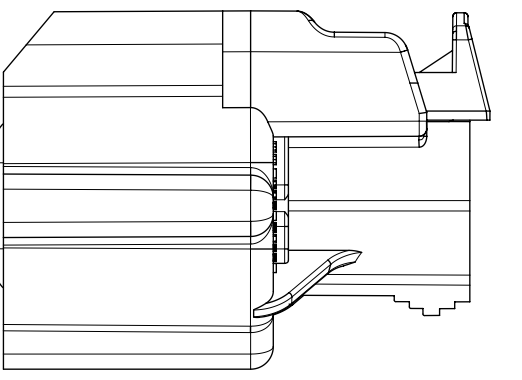
OPTION C



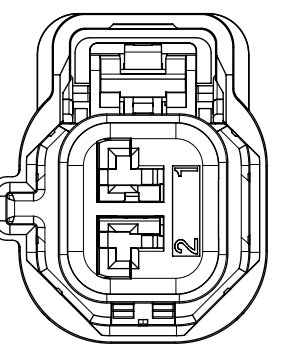
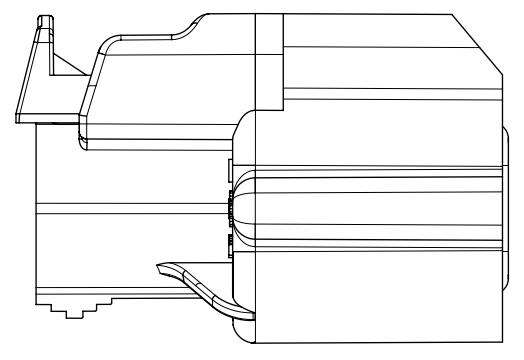
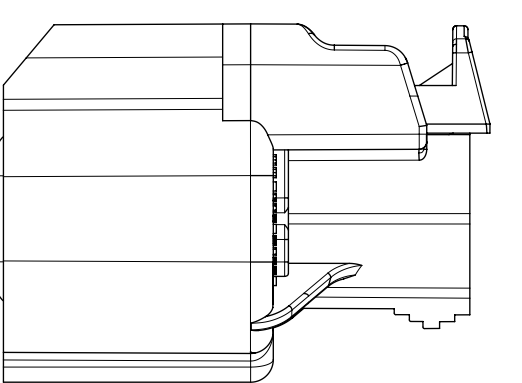
OPTION D



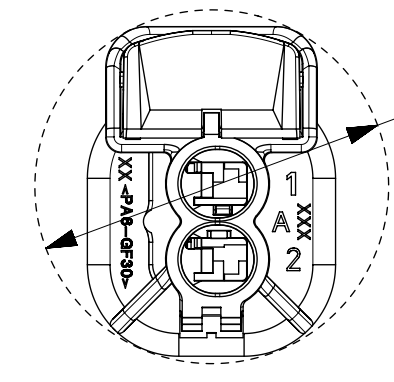
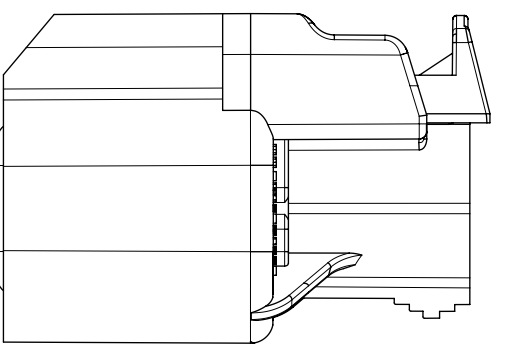
OPTION E



OPTION F

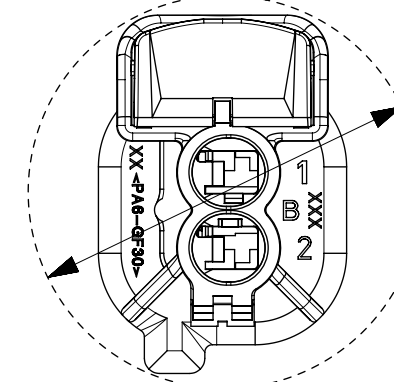


OPTION G



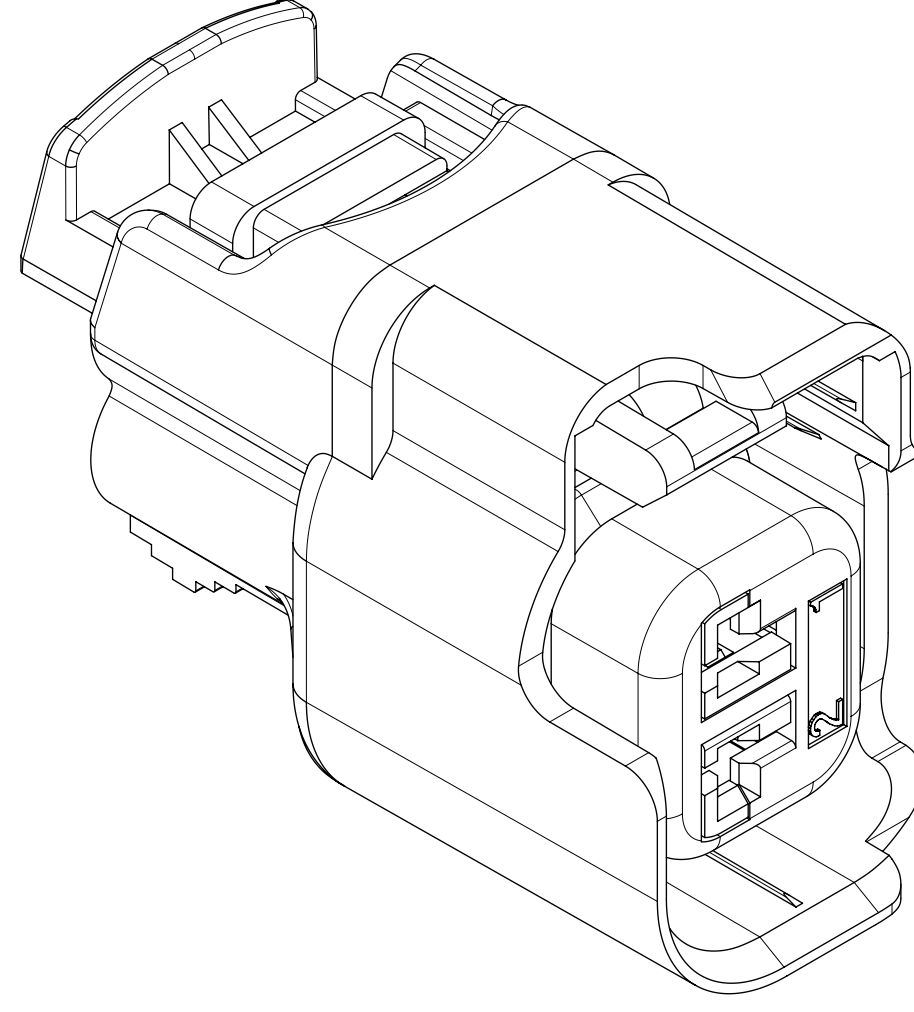
REAR VIEW

Ø23.40  
MINIMUM PASS-THRU WITH  
NO CLEARANCE  
APPLIES TO NON-CLIP SLOT  
OPTIONS A, C, D & G



REAR VIEW

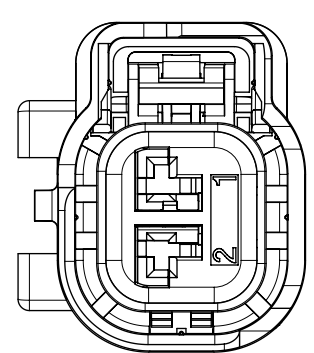
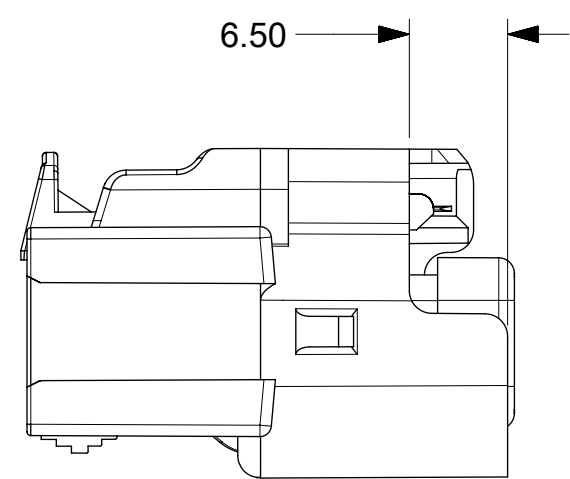
Ø26.00  
MINIMUM PASS-THRU WITH  
NO CLEARANCE  
APPLIES TO NON-CLIP SLOT  
OPTIONS B, E & F



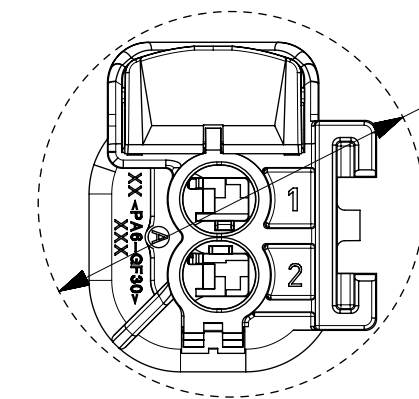
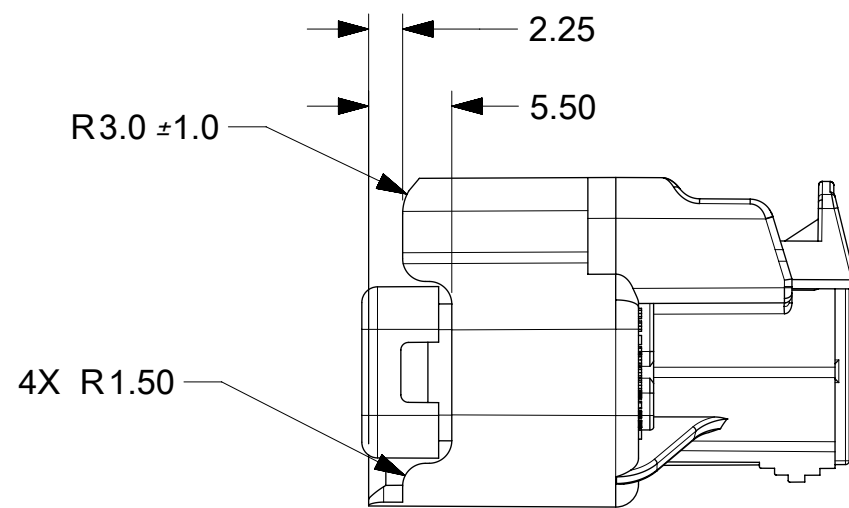
NON CLIP-SLOT OPTION  
SCALE 4:1

THIS DRAWING CONTAINS INFORMATION THAT IS PROPRIETARY TO MOLEX ELECTRONIC TECHNOLOGIES, LLC AND SHOULD NOT BE USED WITHOUT WRITTEN PERMISSION											
QUALITY SYMBOLS	EC NO: 117955 DRWN: PKABBUR CHKD: REV: APPR: KDEKOSKI	2017/05/15 2017/06/14	GENERAL TOLERANCES (UNLESS SPECIFIED)		DIMENSION UNITS	SCALE					
			ANGULAR TOL ± 3.0 °		MM	2:1					
▽ = 0	DRAFT WHERE APPLICABLE MUST REMAIN WITHIN DIMENSIONS	D	4 PLACES ±	DRWN BY	DATE	MX150 2 WAY CABLE SEAL RECEPTACLE CONN. SYSTEM (5.0MM PITCH)					
▽ = 0			3 PLACES ±	KCUNNINGHAM	2011/11/08						
▽ = 0			2 PLACES ± 0.1	CHKD BY	DATE	PRODUCT CUSTOMER DRAWING					
▽ = 0			1 PLACE ± 0.3	MVANSLAMBROU	1/26/2012						
▽ = 0			0 PLACES ±	APPR BY	DATE	SERIES	MATERIAL NUMBER	CUSTOMER	GENERAL MARKET		
▽ = 0				KDEKOSKI	2017/06/14	34062	SEE NOTE 2a				
▽ = 0				DOCUMENT NUMBER	DOC TYPE	DOC PART	SHEET NUMBER	2 OF 5			
				J19				SD-34062-002	PSD	000	

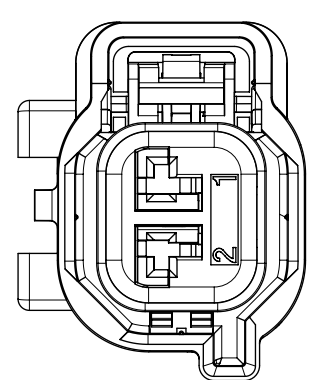
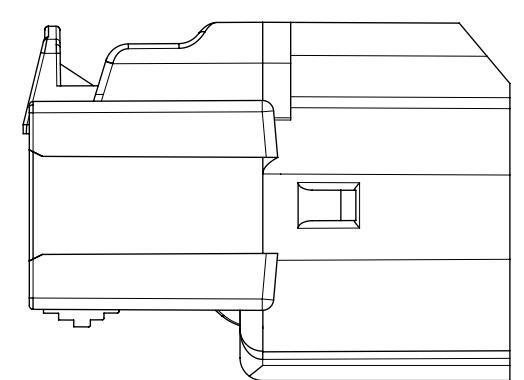
SHEET DESCRIPTION  
CONFIGURATIONS



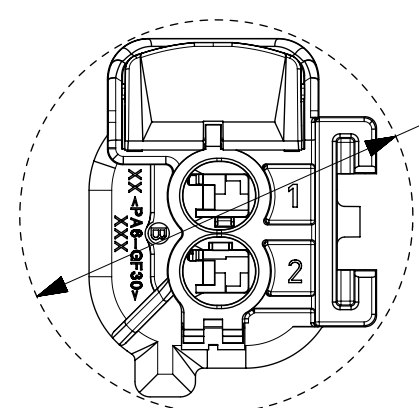
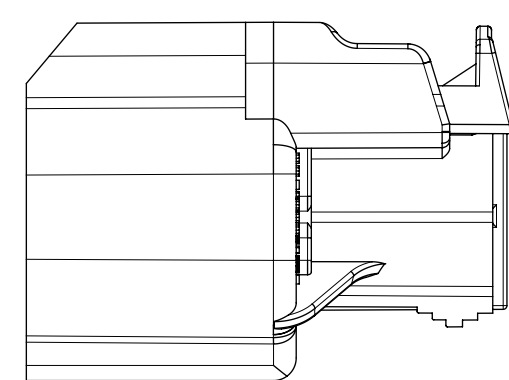
OPTION A W/CLIP-SLOT \*



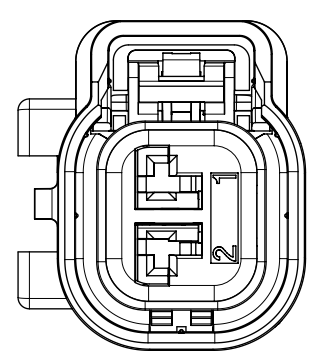
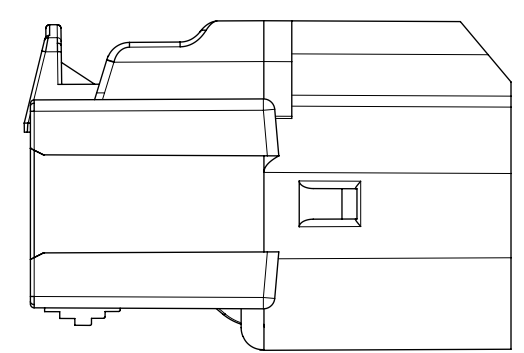
Ø25.50  
MINIMUM PASS-THRU WITH  
NO CLEARANCE  
APPLIES TO CLIP-SLOT  
OPTIONS A, C & D



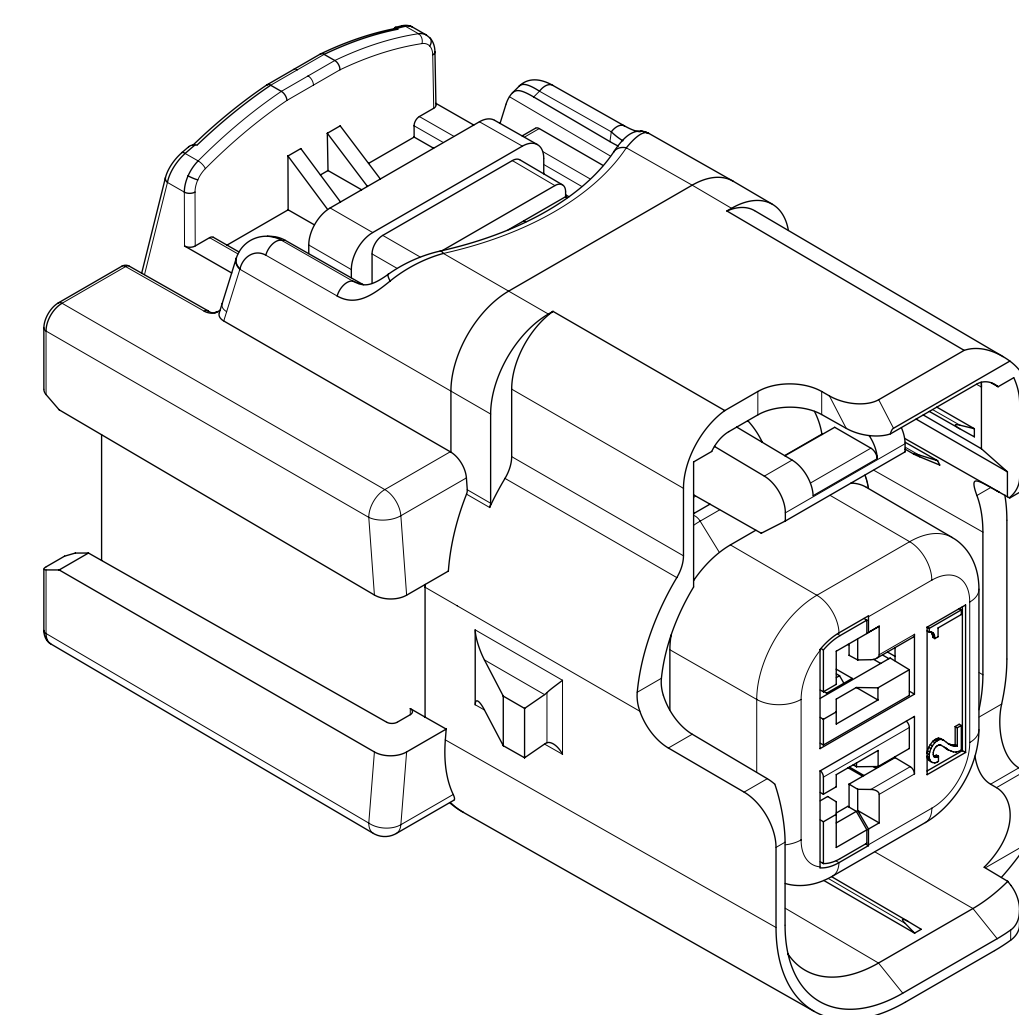
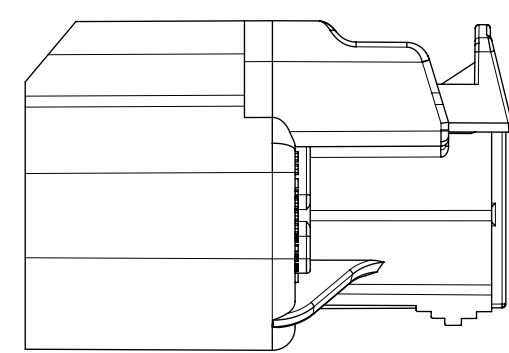
OPTION B W/CLIP-SLOT \*



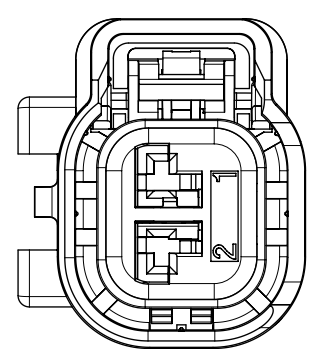
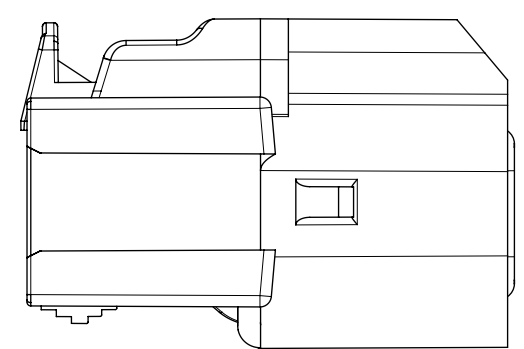
Ø26.00  
MINIMUM PASS-THRU WITH  
NO CLEARANCE  
APPLIES TO CLIP-SLOT  
OPTION B



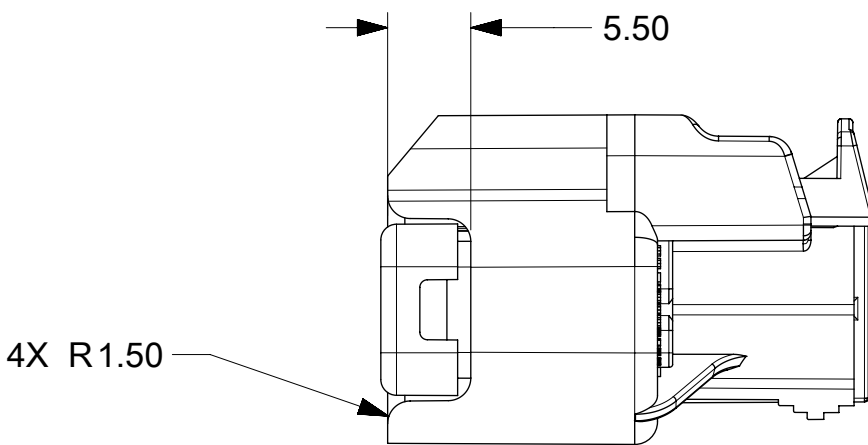
OPTION C W/CLIP-SLOT \*



CLIP-SLOT OPTION  
SCALE 4:1



OPTION D W/CLIP-SLOT \*

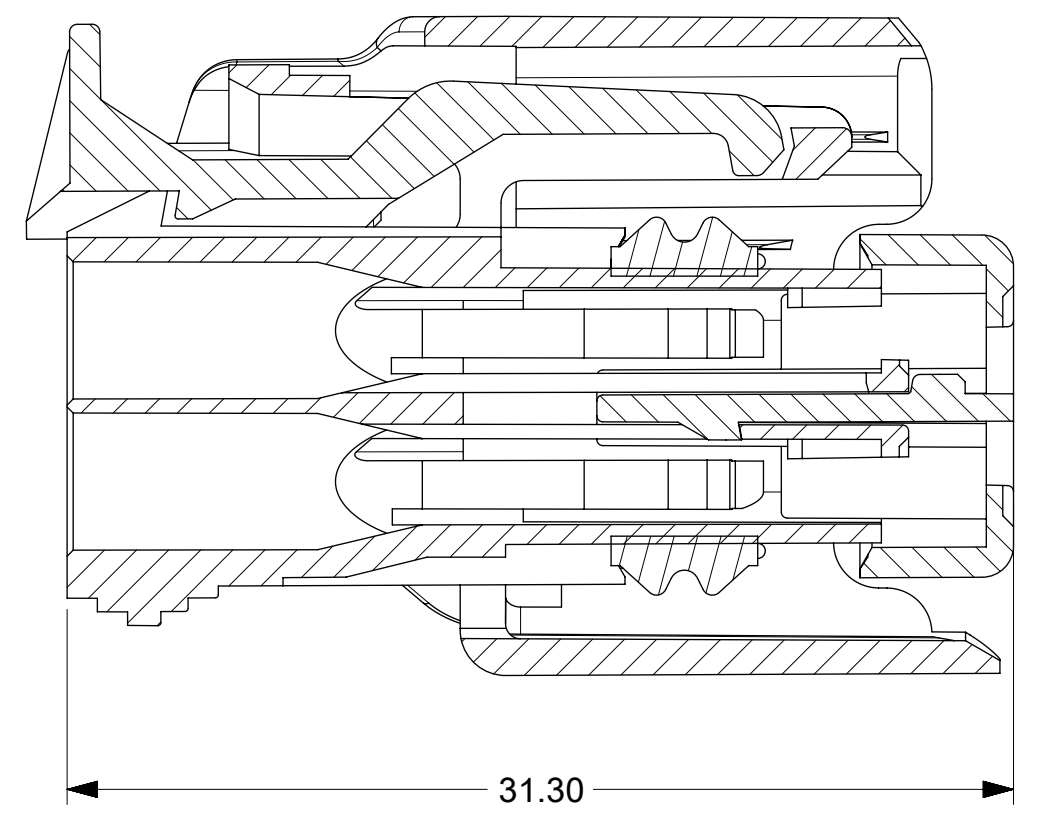
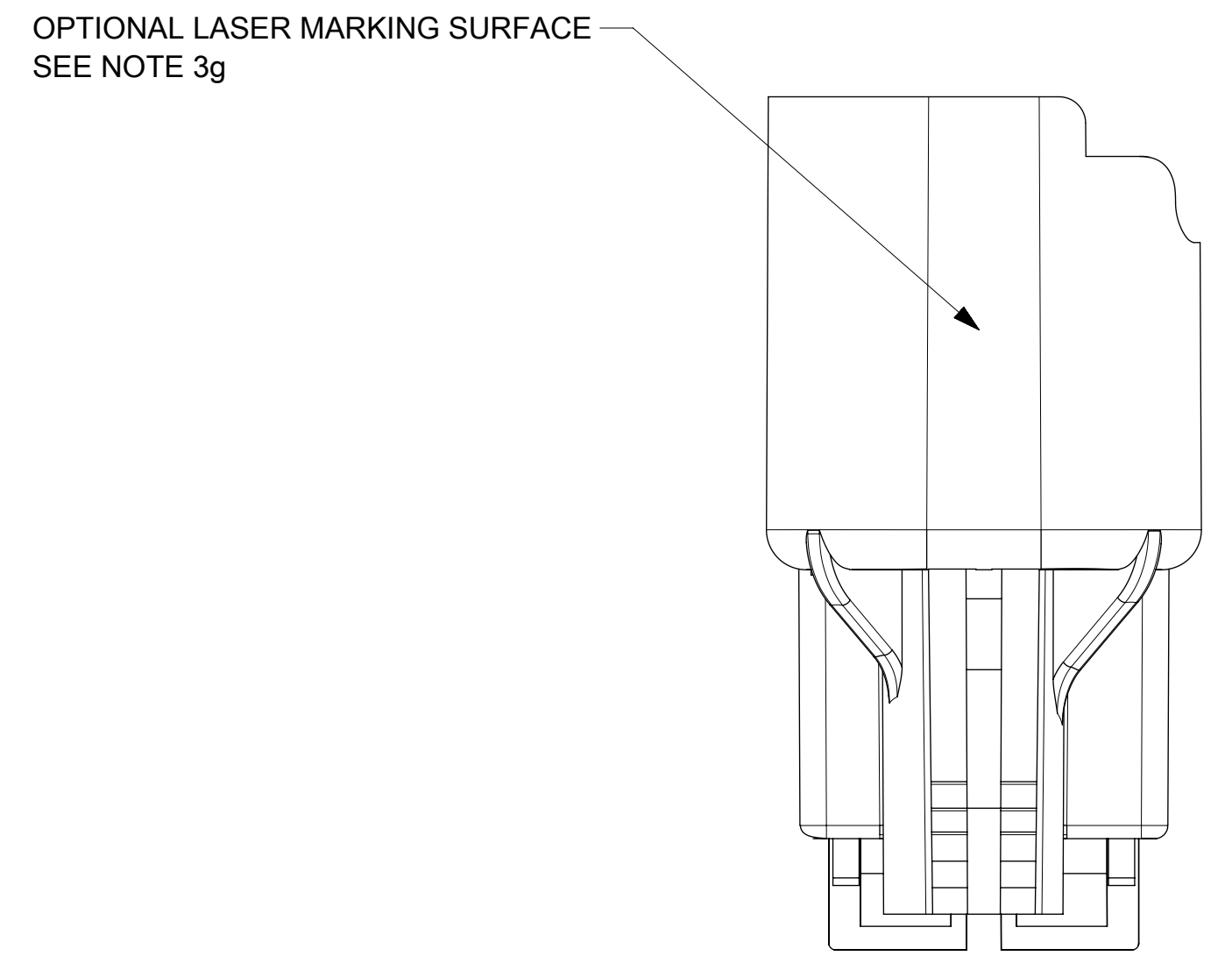
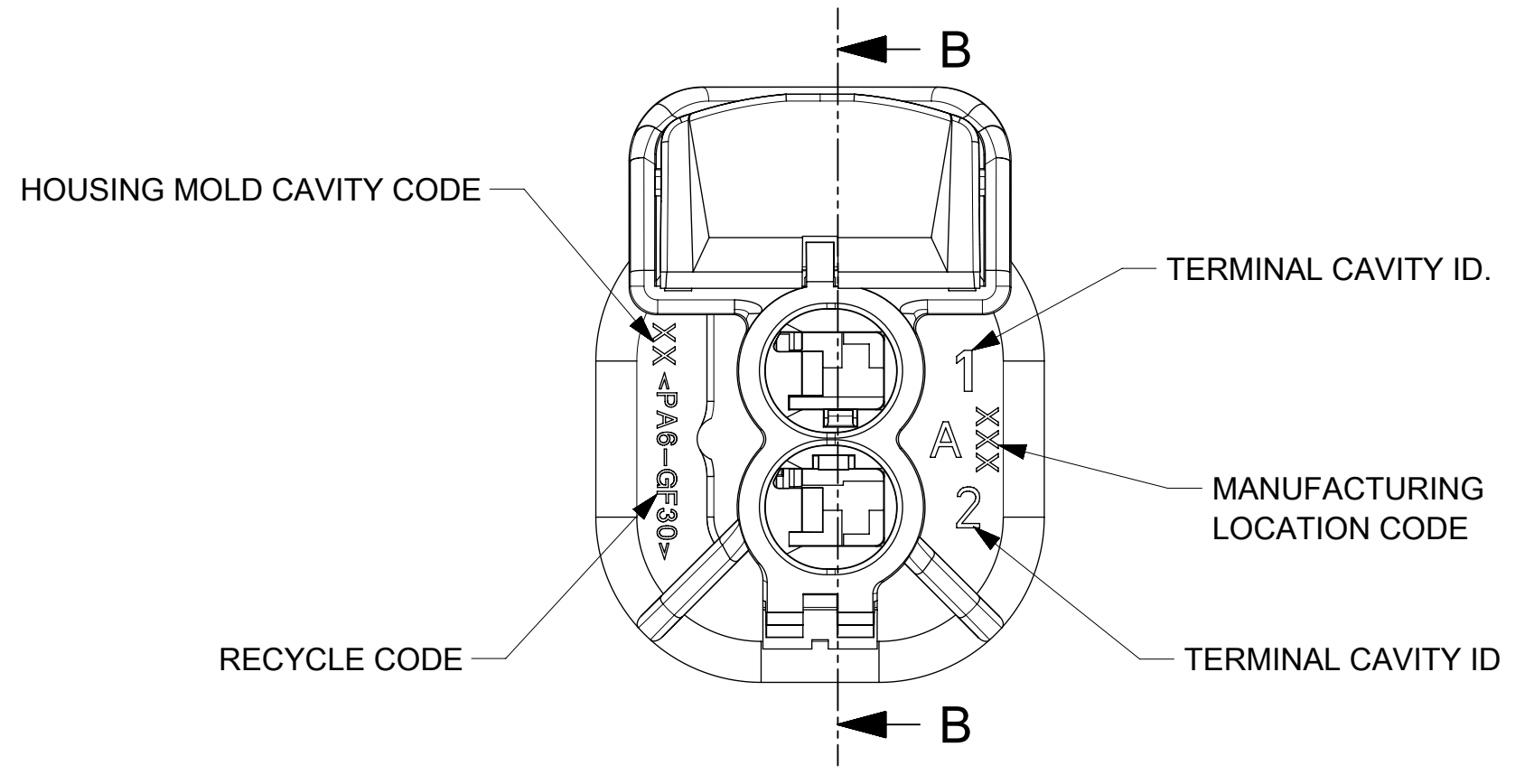
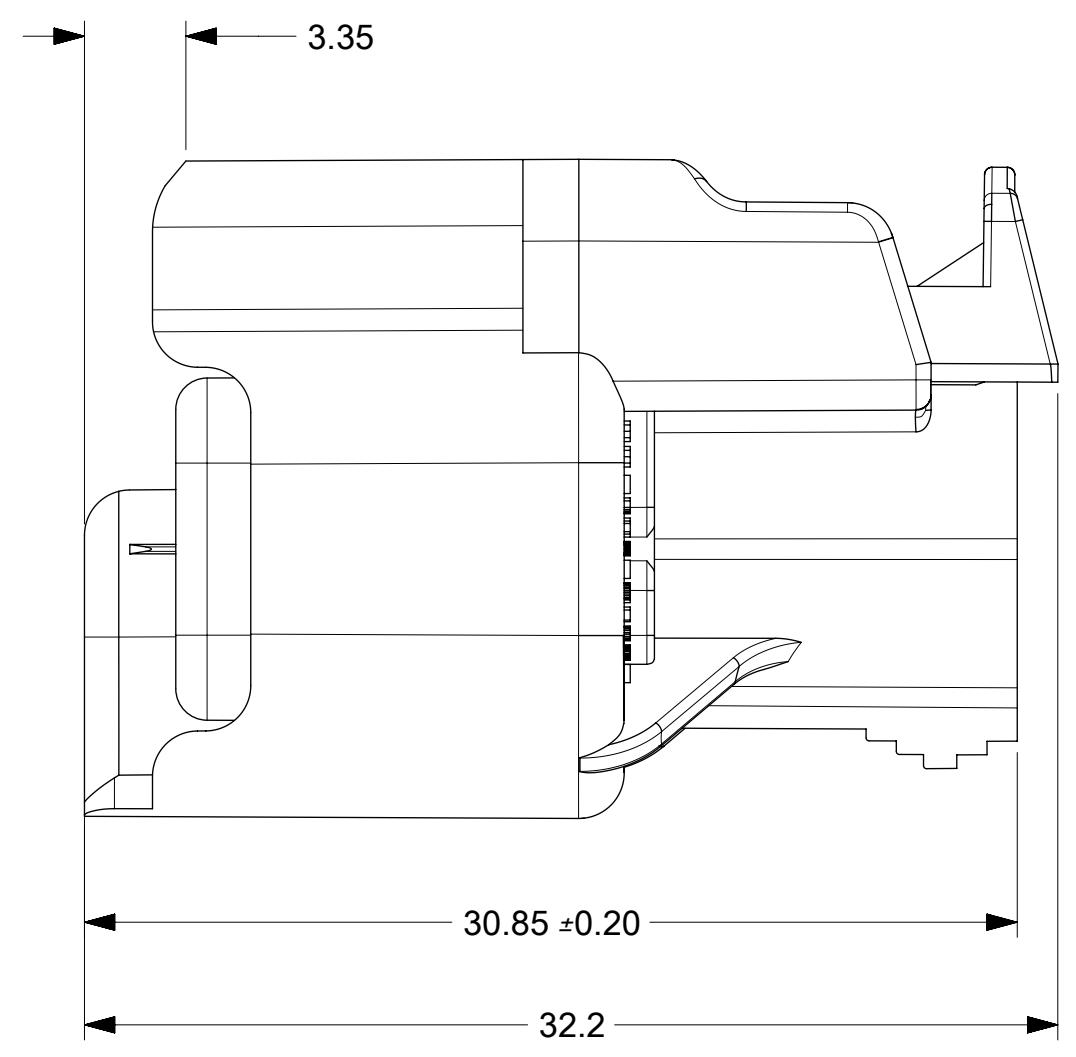
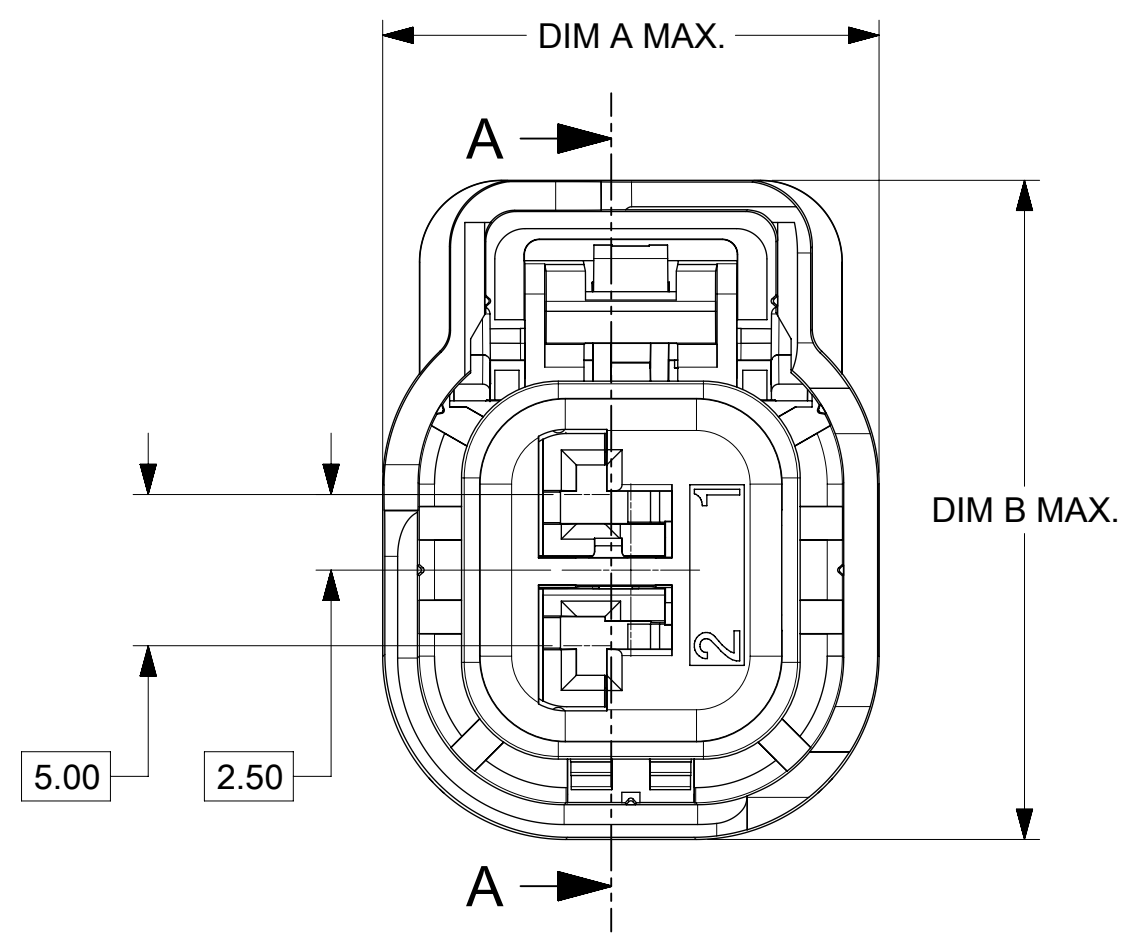
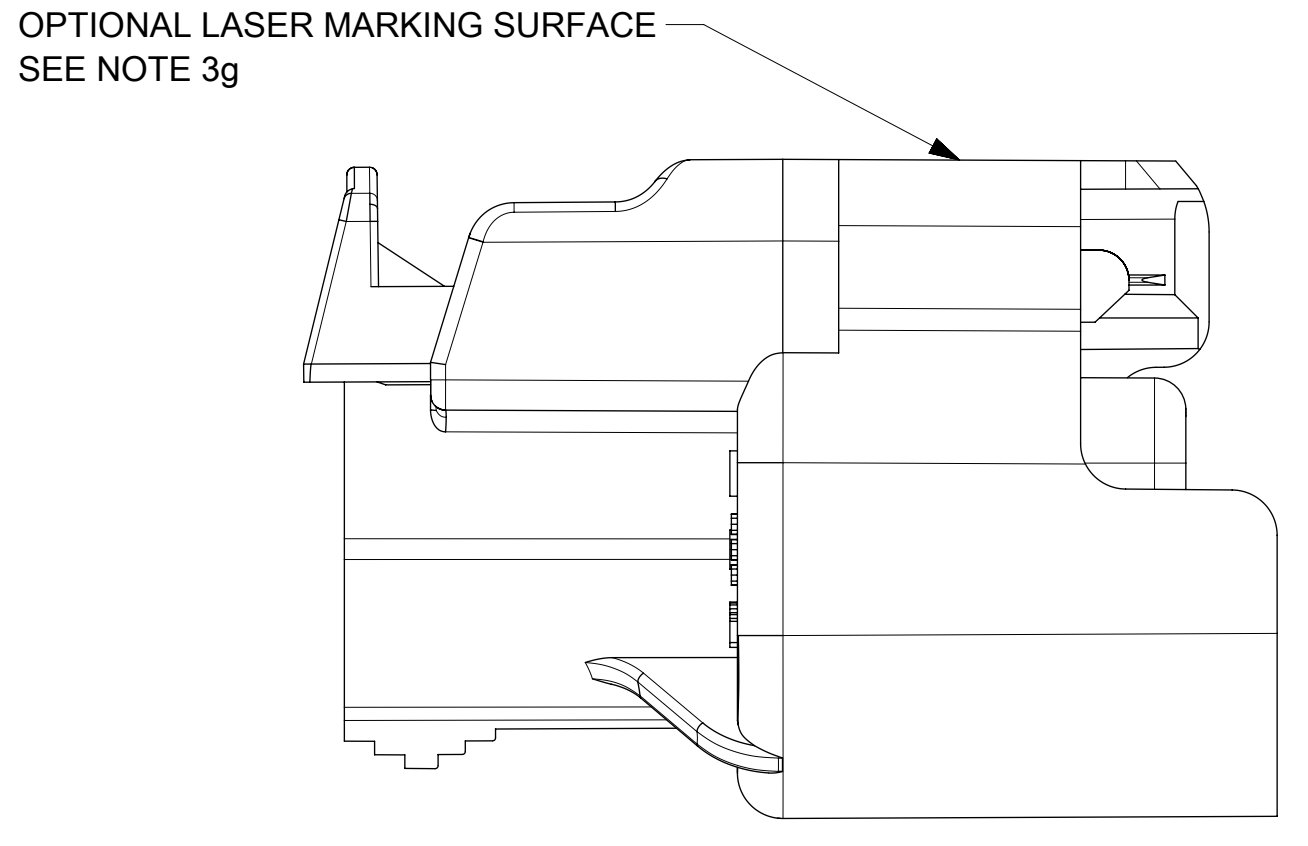


\* WITH CLIP-SLOT CONFIGURATIONS  
DO NOT MEET USCAR PACKAGING FRAME REQUIREMENTS

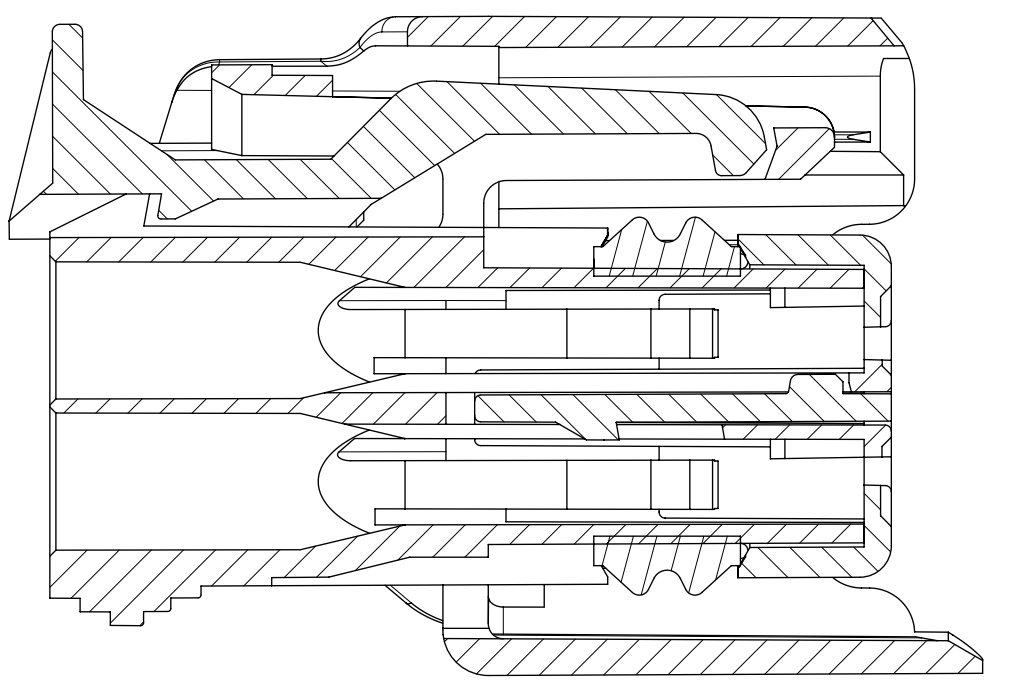
<b>QUALITY SYMBOLS</b> 	THIS DRAWING CONTAINS INFORMATION THAT IS PROPRIETARY TO MOLEX ELECTRONIC TECHNOLOGIES, LLC AND SHOULD NOT BE USED WITHOUT WRITTEN PERMISSION												
	EC NO: 117955	DRWN: PKABBUR	CHKD: KDEKOSKI	REV: APPR: KDEKOSKI	2017/05/15	2017/06/14	GENERAL TOLERANCES (UNLESS SPECIFIED)	DIMENSION UNITS	SCALE				
	4 PLACES ±		3 PLACES ±		2 PLACES ± 0.1		MM		2:1				
	1 PLACE ± 0.3		0 PLACES ±		DRAFT WHERE APPLICABLE MUST REMAIN WITHIN DIMENSIONS		ANGULAR TOL ± 3.0 °		DRWN BY	DATE	MX150 2 WAY CABLE SEAL RECEPTACLE CONN. SYSTEM (5.0MM PITCH)		
	DRAFT WHERE APPLICABLE MUST REMAIN WITHIN DIMENSIONS		DRAFT WHERE APPLICABLE MUST REMAIN WITHIN DIMENSIONS		DRAFT WHERE APPLICABLE MUST REMAIN WITHIN DIMENSIONS		DRAFT WHERE APPLICABLE MUST REMAIN WITHIN DIMENSIONS		KCUNNINGHAM	2011/11/08			
	DRAFT WHERE APPLICABLE MUST REMAIN WITHIN DIMENSIONS		DRAFT WHERE APPLICABLE MUST REMAIN WITHIN DIMENSIONS		DRAFT WHERE APPLICABLE MUST REMAIN WITHIN DIMENSIONS		DRAFT WHERE APPLICABLE MUST REMAIN WITHIN DIMENSIONS		CHKD BY	DATE	PRODUCT CUSTOMER DRAWING		
	DRAFT WHERE APPLICABLE MUST REMAIN WITHIN DIMENSIONS		DRAFT WHERE APPLICABLE MUST REMAIN WITHIN DIMENSIONS		DRAFT WHERE APPLICABLE MUST REMAIN WITHIN DIMENSIONS		DRAFT WHERE APPLICABLE MUST REMAIN WITHIN DIMENSIONS		MVANSLAMBROU	1/26/2012			
	DRAFT WHERE APPLICABLE MUST REMAIN WITHIN DIMENSIONS		DRAFT WHERE APPLICABLE MUST REMAIN WITHIN DIMENSIONS		DRAFT WHERE APPLICABLE MUST REMAIN WITHIN DIMENSIONS		DRAFT WHERE APPLICABLE MUST REMAIN WITHIN DIMENSIONS		APPR BY	DATE	SERIES	MATERIAL NUMBER	CUSTOMER
	DRAFT WHERE APPLICABLE MUST REMAIN WITHIN DIMENSIONS		DRAFT WHERE APPLICABLE MUST REMAIN WITHIN DIMENSIONS		DRAFT WHERE APPLICABLE MUST REMAIN WITHIN DIMENSIONS		DRAFT WHERE APPLICABLE MUST REMAIN WITHIN DIMENSIONS		KDEKOSKI	2017/06/14	34062	SEE NOTE 2a	GENERAL MARKET
	DRAFT WHERE APPLICABLE MUST REMAIN WITHIN DIMENSIONS		DRAFT WHERE APPLICABLE MUST REMAIN WITHIN DIMENSIONS		DRAFT WHERE APPLICABLE MUST REMAIN WITHIN DIMENSIONS		DRAFT WHERE APPLICABLE MUST REMAIN WITHIN DIMENSIONS		DRAWING SIZE	THIRD ANGLE PROJECTION	DOCUMENT NUMBER	DOC TYPE	DOC PART
DRAFT WHERE APPLICABLE MUST REMAIN WITHIN DIMENSIONS		DRAFT WHERE APPLICABLE MUST REMAIN WITHIN DIMENSIONS		DRAFT WHERE APPLICABLE MUST REMAIN WITHIN DIMENSIONS		DRAFT WHERE APPLICABLE MUST REMAIN WITHIN DIMENSIONS		D		SD-34062-002	PSD	000	3 OF 5

SHEET DESCRIPTION	
RECEPTACLE CONNECTOR ASSEMBLY	

CHARTED DIMENSIONS		
CONFIGURATIONS	DIMENSIONS	
	A	B
OPTIONS A, C, D	16.6	22.0
OPTION B	16.6	23.9
OPTION E	20.2	23.9
OPTION F	16.6	23.9
OPTION G	18.4	22.0
OPTIONS A, C, D W/CLIP-SLOT	19.2	22.0
OPTION B W/CLIP-SLOT	19.2	23.9



**SECTION A-A**  
TPA SHOWN IN THE  
PRE-STAGED POSITION



**SECTION B-B**  
TPA SHOWN IN  
FINAL-LOCK POSITION

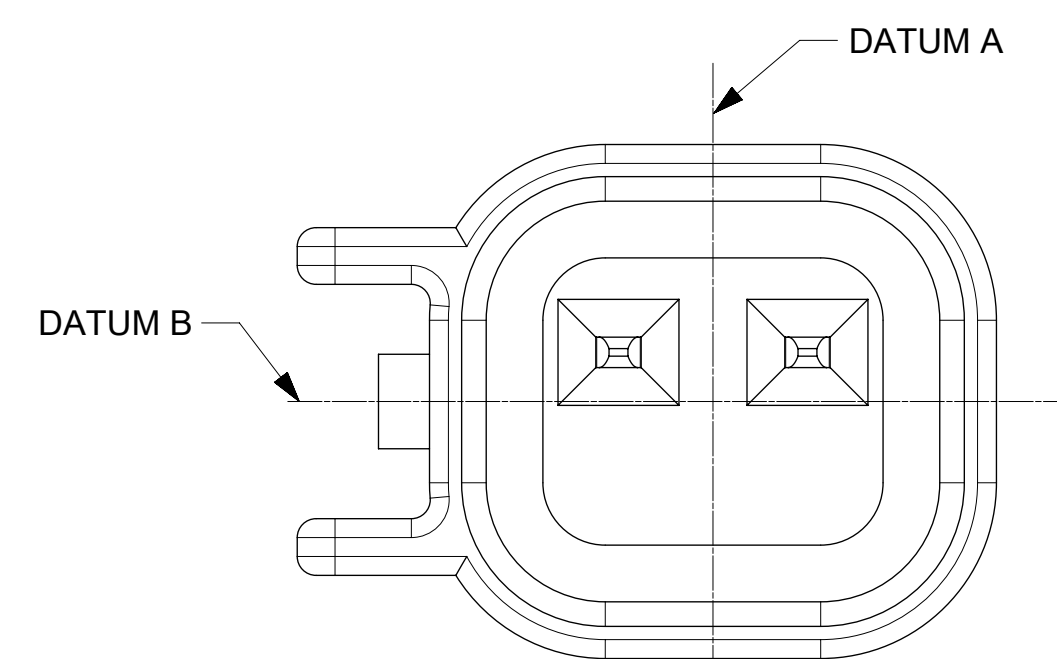
THIS DRAWING CONTAINS INFORMATION THAT IS PROPRIETARY TO MOLEX ELECTRONIC TECHNOLOGIES, LLC AND SHOULD NOT BE USED WITHOUT WRITTEN PERMISSION											
QUALITY SYMBOLS		2017/05/15		2017/06/14		GENERAL TOLERANCES (UNLESS SPECIFIED)		DIMENSION UNITS		SCALE	
▽ = 0	▽ = 0	▽ = 0	▽ = 0	▽ = 0	▽ = 0	▽ = 0	▽ = 0	MM	4:1		
▽ = 0	▽ = 0	▽ = 0	▽ = 0	▽ = 0	▽ = 0	▽ = 0	▽ = 0	ANGULAR TOL ± 3.0 °	DRWN BY	DATE	
▽ = 0	▽ = 0	▽ = 0	▽ = 0	▽ = 0	▽ = 0	▽ = 0	▽ = 0	4 PLACES ±	KCUNNINGHAM	2011/11/08	
▽ = 0	▽ = 0	▽ = 0	▽ = 0	▽ = 0	▽ = 0	▽ = 0	▽ = 0	3 PLACES ±	CHKD BY	DATE	
▽ = 0	▽ = 0	▽ = 0	▽ = 0	▽ = 0	▽ = 0	▽ = 0	▽ = 0	2 PLACES ± 0.1	MVANSLAMBROU	1/26/2012	
▽ = 0	▽ = 0	▽ = 0	▽ = 0	▽ = 0	▽ = 0	▽ = 0	▽ = 0	1 PLACE ± 0.3	APPR BY	DATE	
▽ = 0	▽ = 0	▽ = 0	▽ = 0	▽ = 0	▽ = 0	▽ = 0	▽ = 0	0 PLACES ±	KDEKOSKI	2017/06/14	
▽ = 0	▽ = 0	▽ = 0	▽ = 0	▽ = 0	▽ = 0	▽ = 0	▽ = 0	DRAFT WHERE APPLICABLE MUST REMAIN WITHIN DIMENSIONS	DRAWING SIZE	THIRD ANGLE PROJECTION	
▽ = 0	▽ = 0	▽ = 0	▽ = 0	▽ = 0	▽ = 0	▽ = 0	▽ = 0	D	⊕		
EC NO: 117955		DRWN: PKABBUR		CHKD: KDEKOSKI		REV: APPR: KDEKOSKI		SERIES		MATERIAL NUMBER	
J19								34062		SEE NOTE 2a	
RELEASE STATUS		RELEASE DATE		DOCUMENT NUMBER		DOC TYPE		DOC PART		SHEET NUMBER	
				SD-34062-002		PSD		000		4 OF 5	



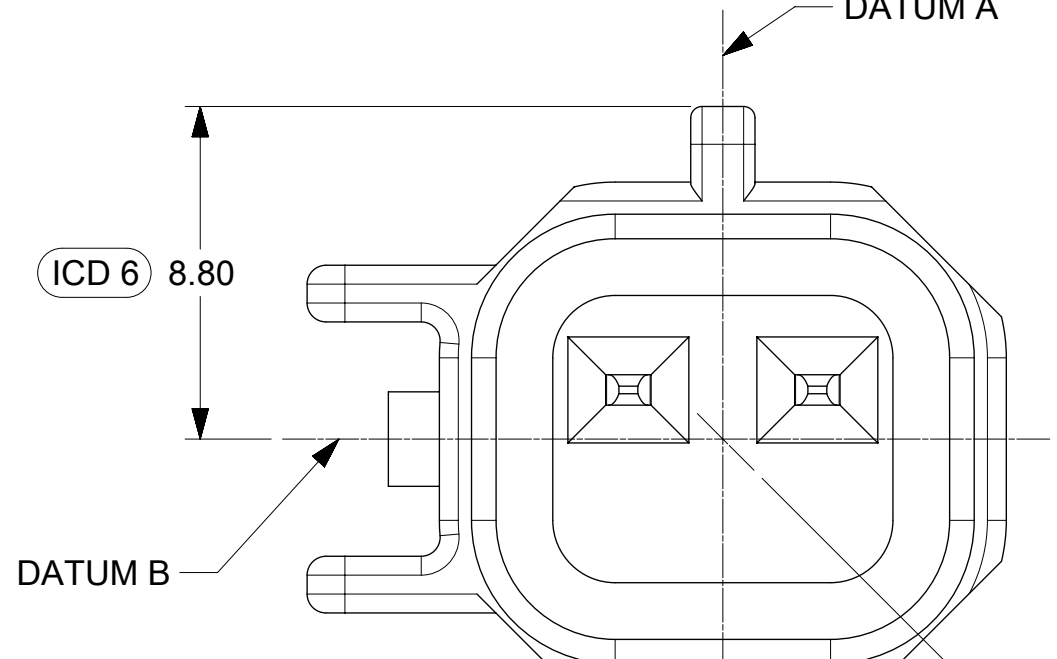
MX150 2 WAY CABLE SEAL  
RECEPTACLE CONN. SYSTEM (5.0MM PITCH)

PRODUCT CUSTOMER DRAWING

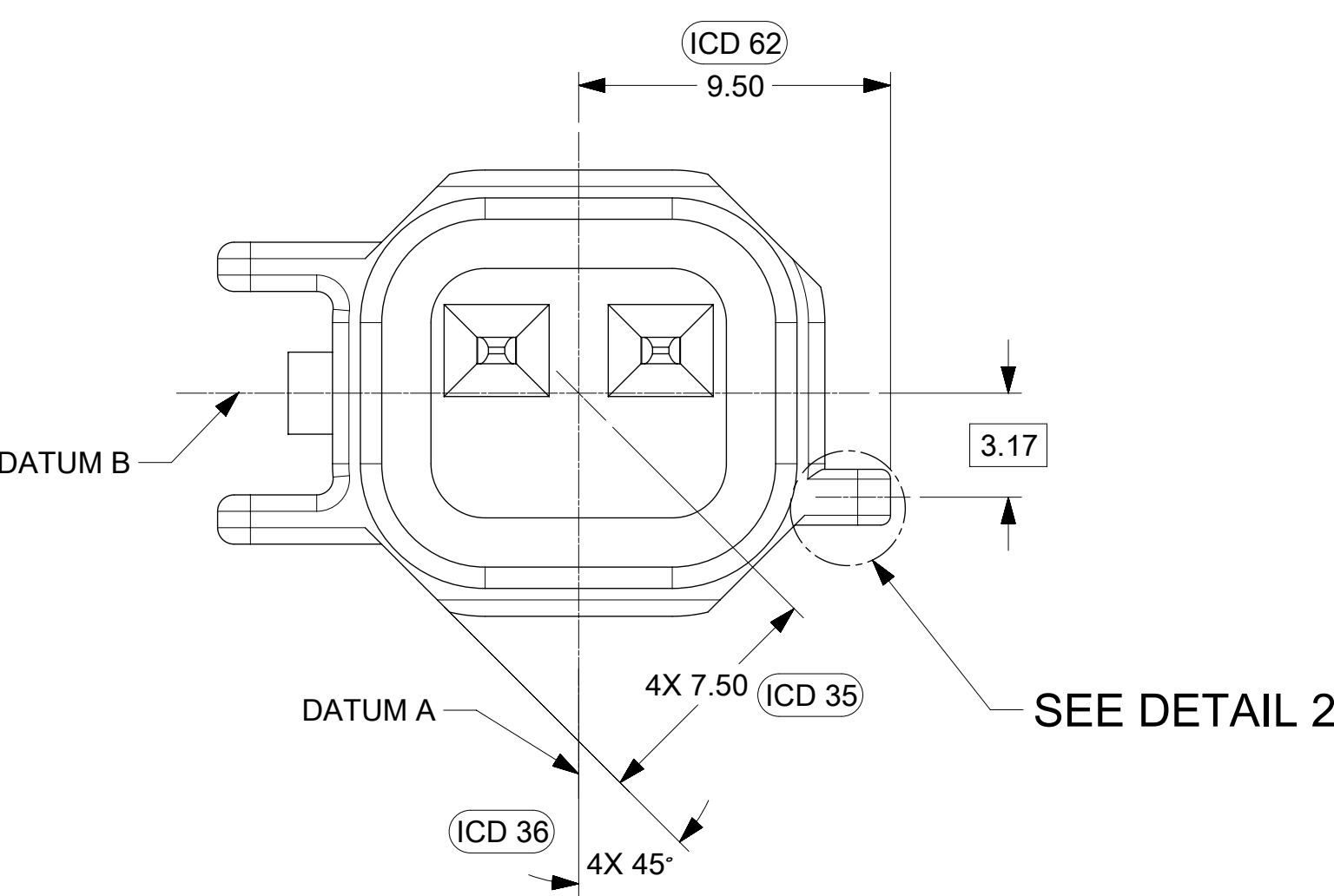
GENERAL MARKET



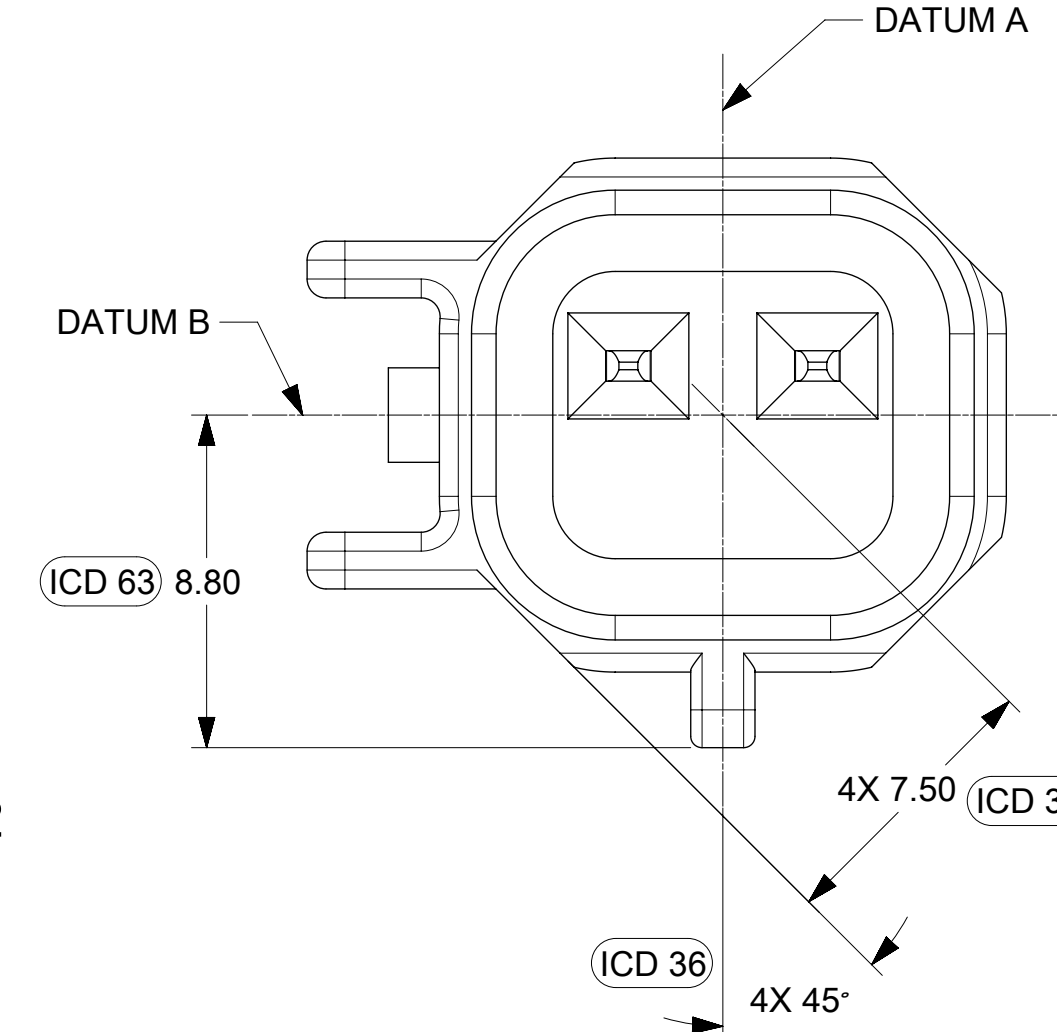
OPTIONS A, C, D  
(SAME INTERFACE)



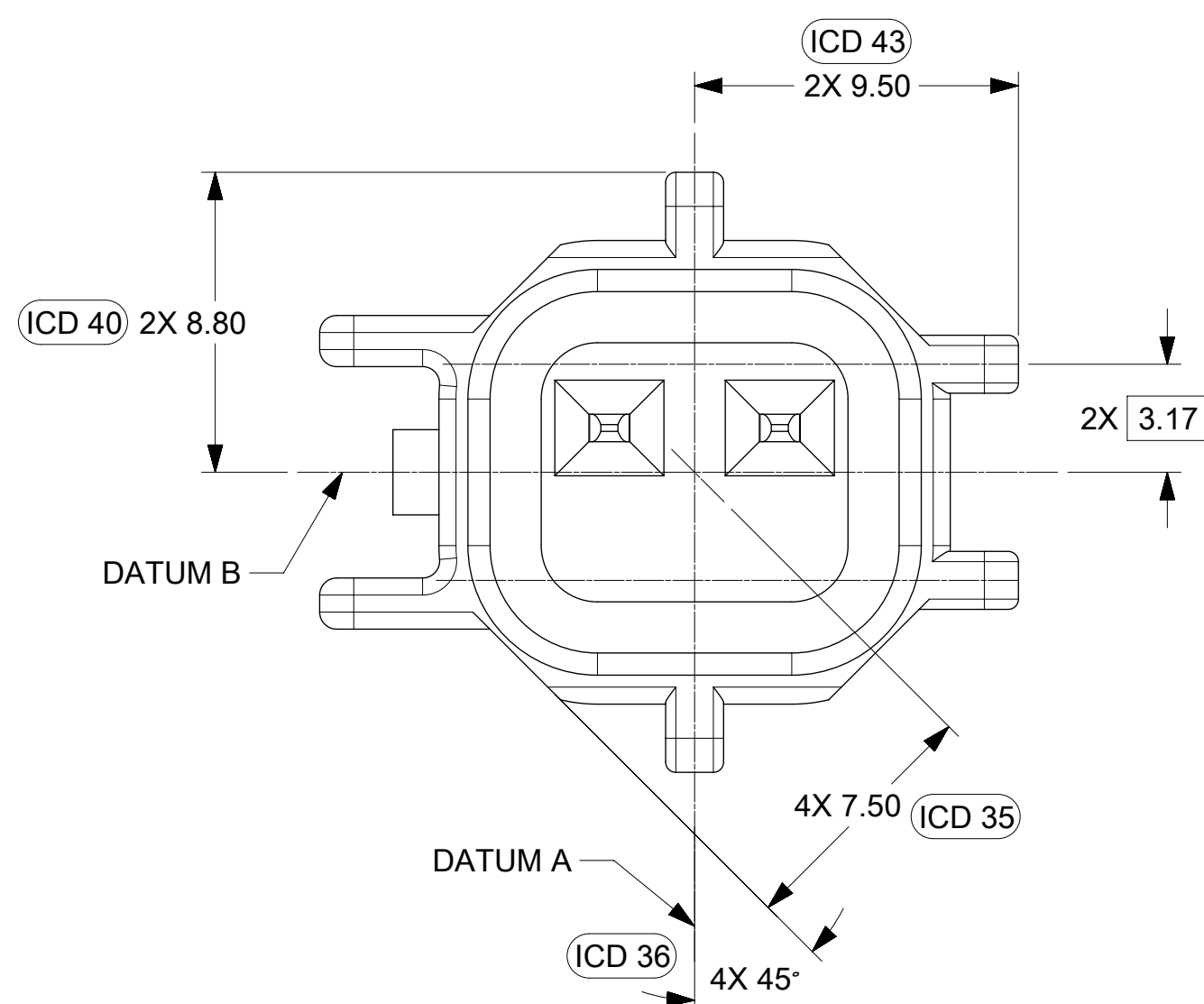
OPTION G



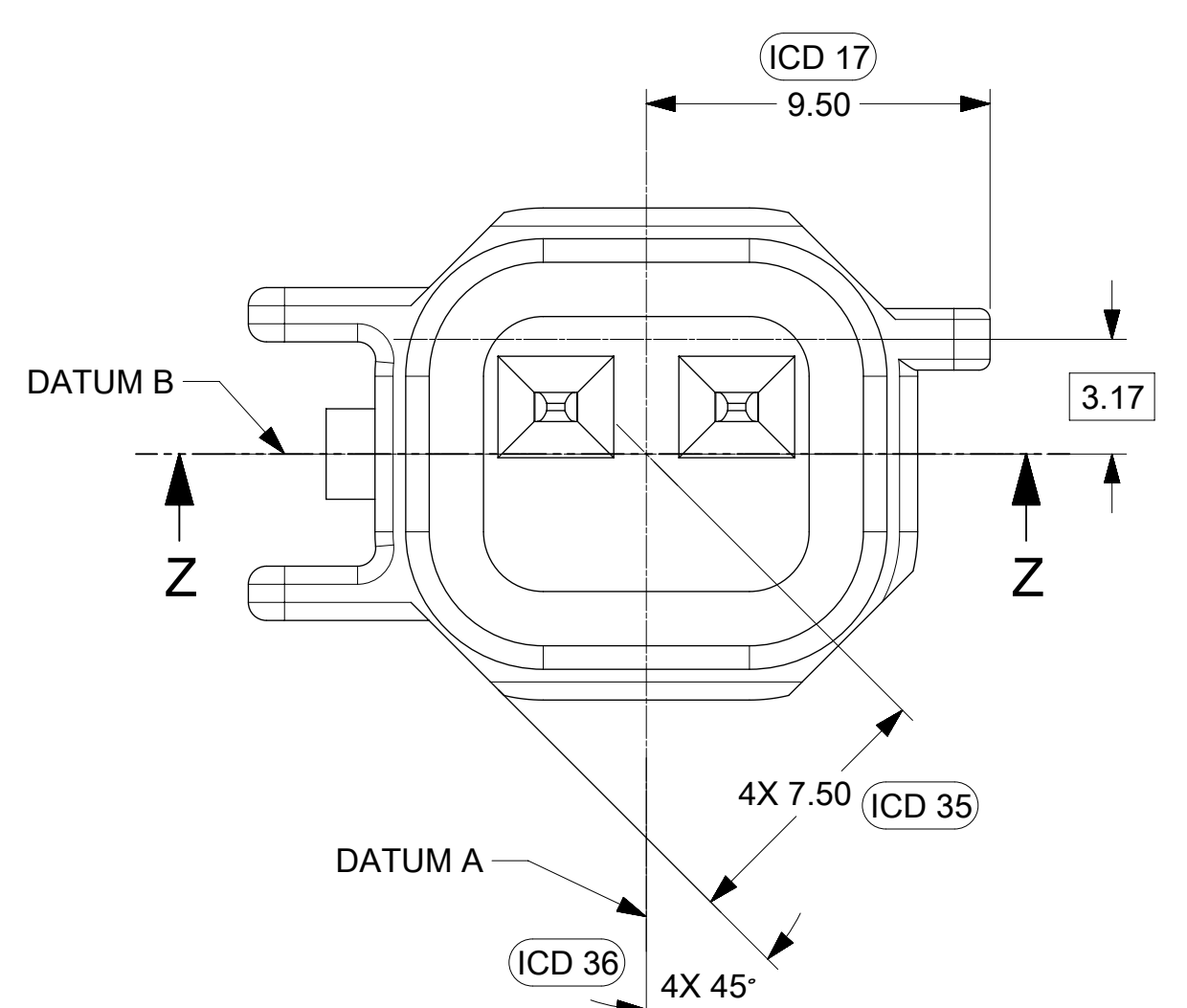
OPTION B



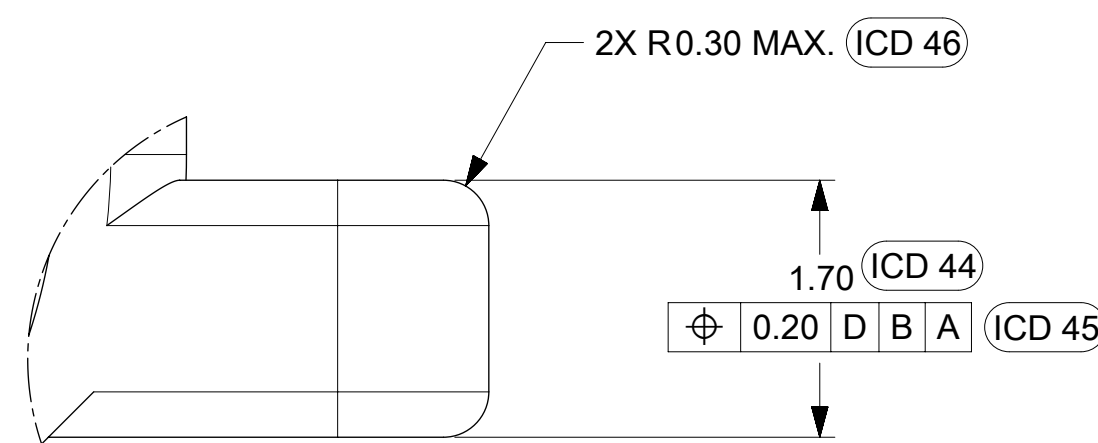
OPTION H



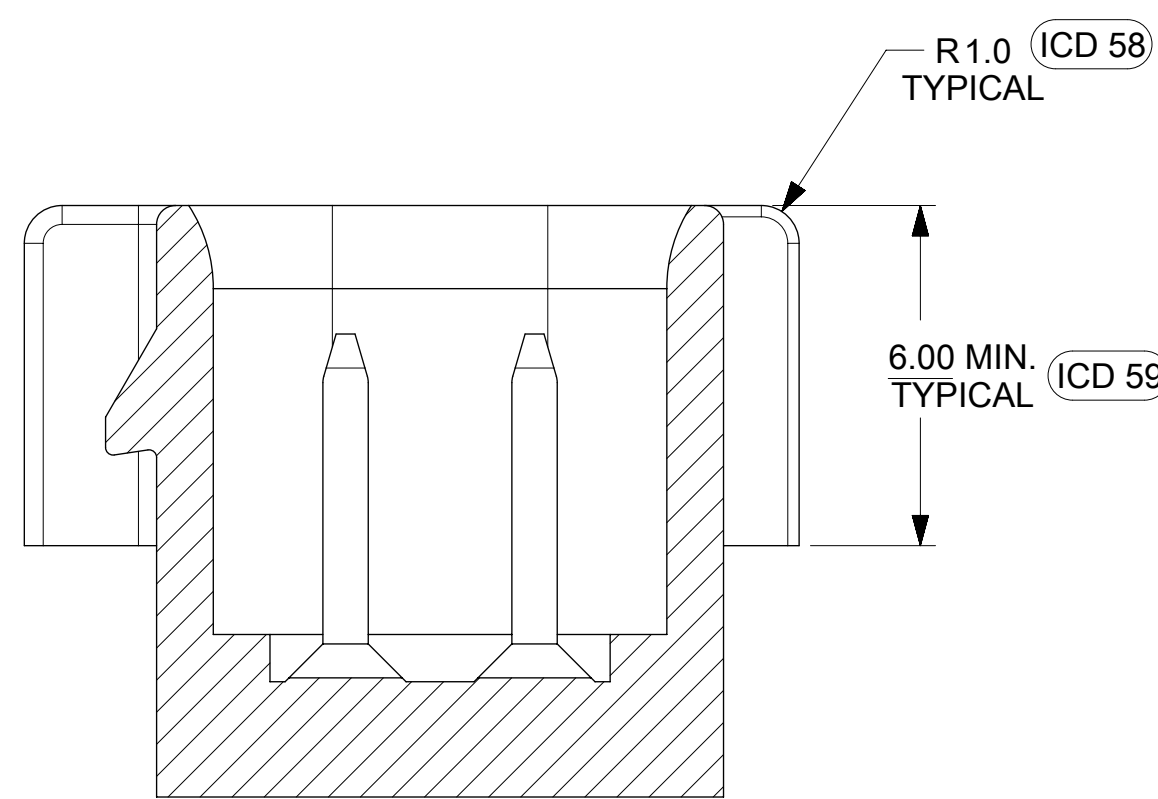
OPTION E



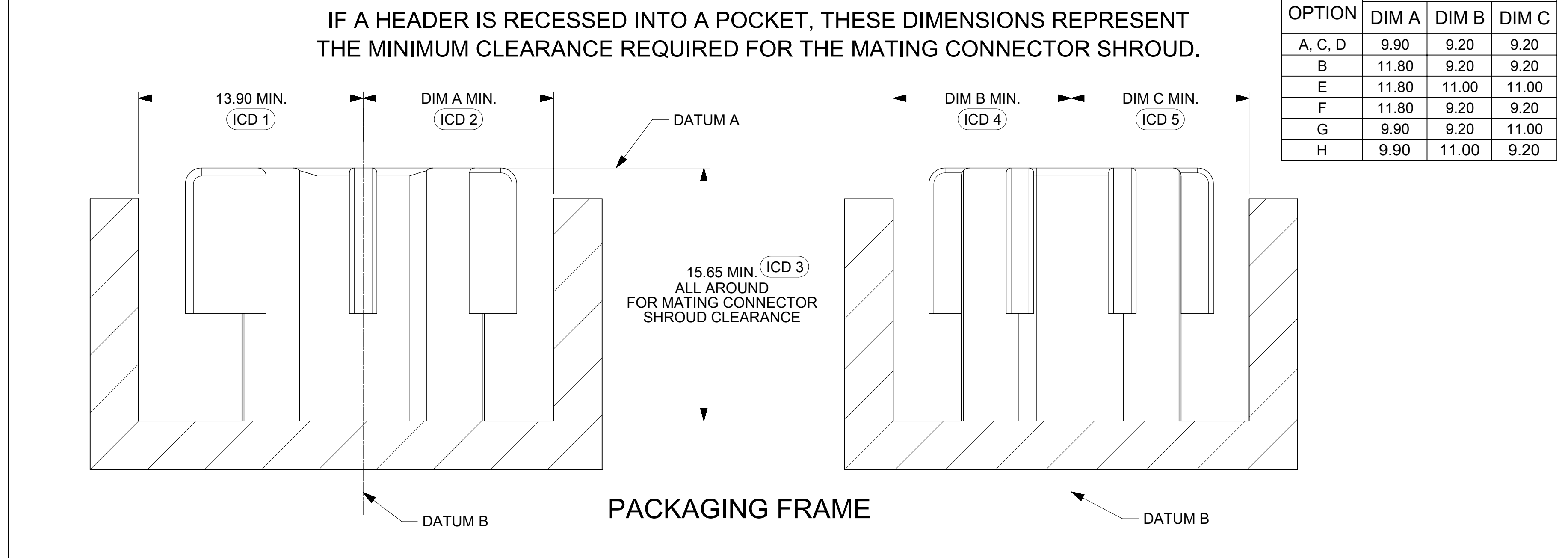
OPTION F



DETAIL 2  
SCALE 20:1  
TYPICAL  
SEE KEYING OPTIONS VIEWS FOR POSITIONS

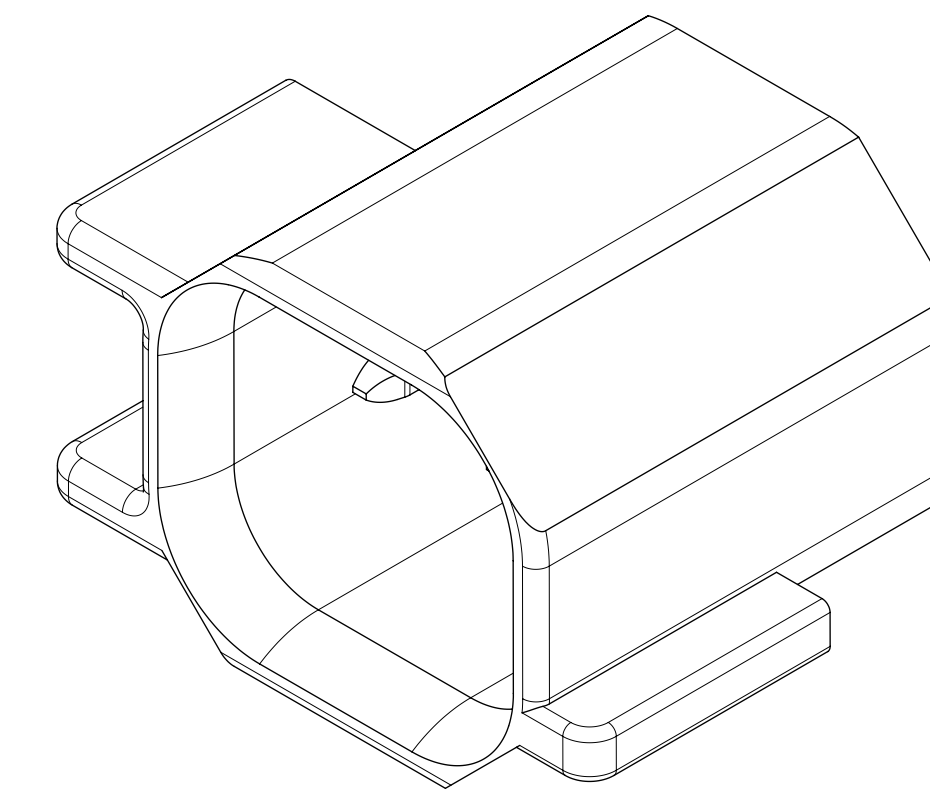


SECTION Z-Z  
SEE KEYING OPTION VIEWS FOR POSITIONS



PACKAGING FRAME

KEY OPTION	DIMENSIONS		
	DIM A	DIM B	DIM C
A, C, D	9.90	9.20	9.20
B	11.80	9.20	9.20
E	11.80	11.00	11.00
F	11.80	9.20	9.20
G	9.90	9.20	11.00
H	9.90	11.00	9.20



OPTION B

IF A HEADER IS RECESSED INTO A POCKET, THESE DIMENSIONS REPRESENT THE MINIMUM CLEARANCE REQUIRED FOR THE MATING CONNECTOR SHROUD.

13.90 MIN. (ICD 1)

DIM A MIN. (ICD 2)

DATUM A

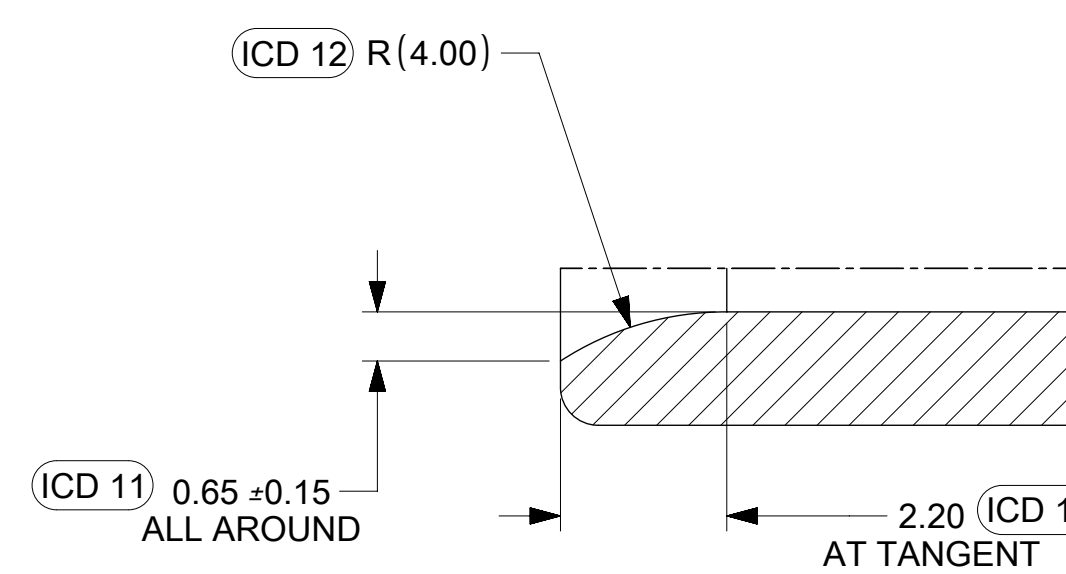
15.65 MIN. (ICD 3)  
ALL AROUND  
FOR MATING CONNECTOR  
SHROUD CLEARANCE

DIM B MIN. (ICD 4)

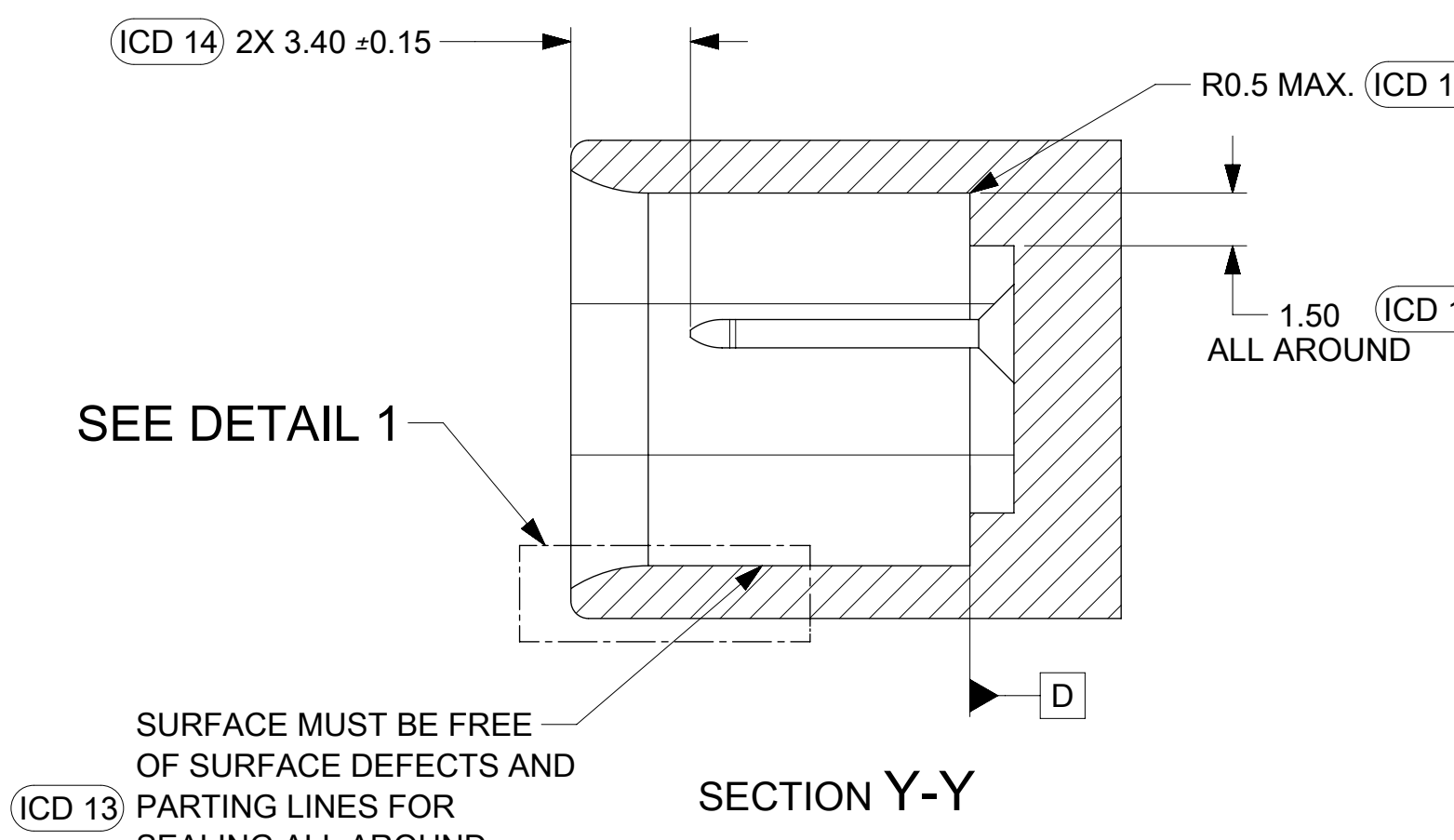
DIM C MIN. (ICD 5)

DATUM B

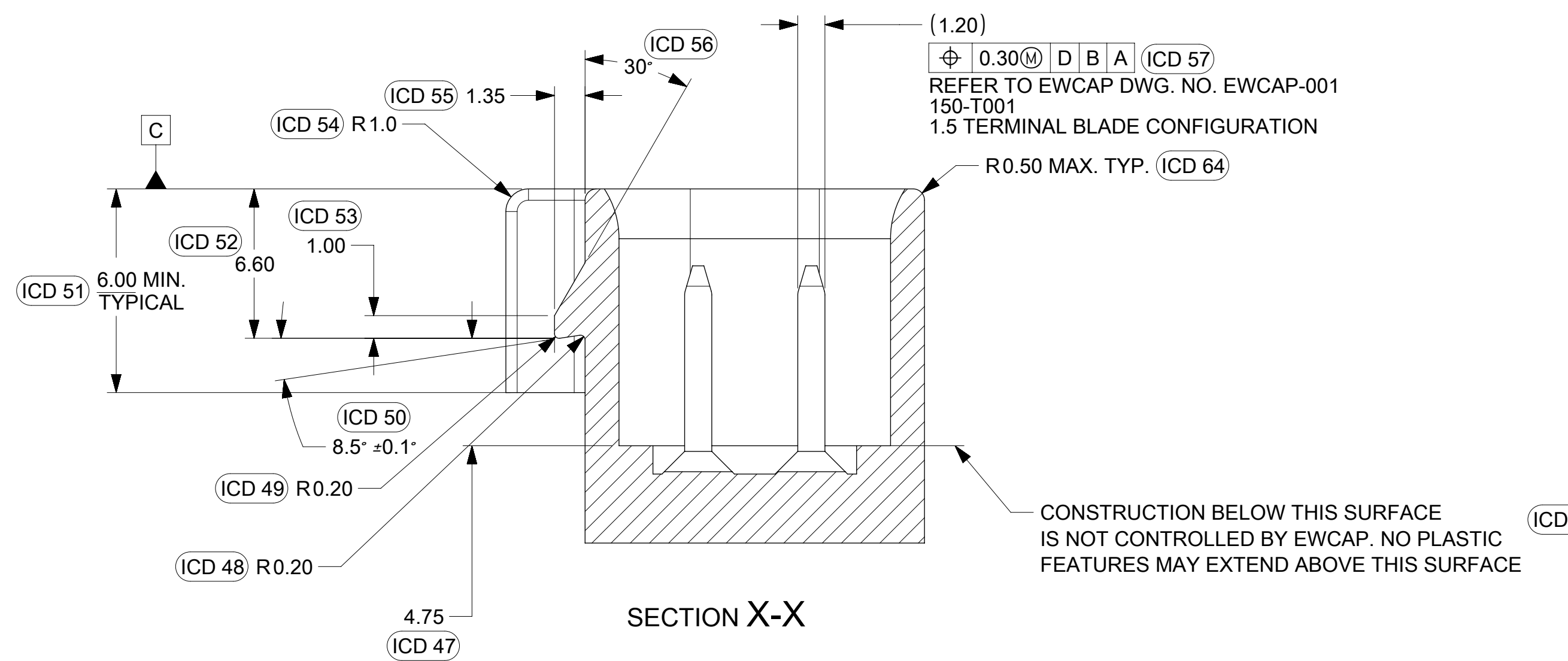
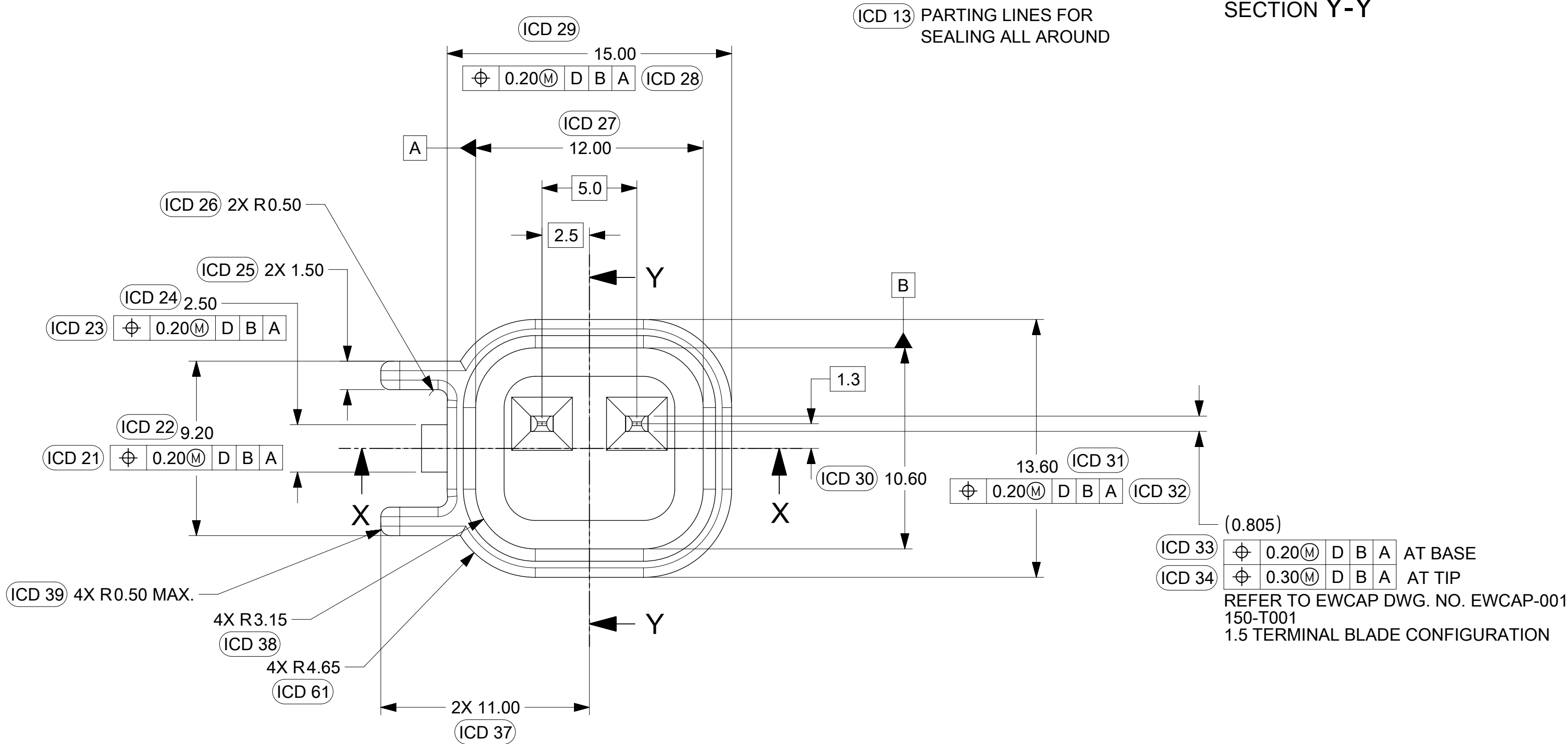
DATUM B



DETAIL 1  
SCALE 10:1



SECTION Y-Y



SECTION X-X

NOTES: UNLESS OTHERWISE SPECIFIED

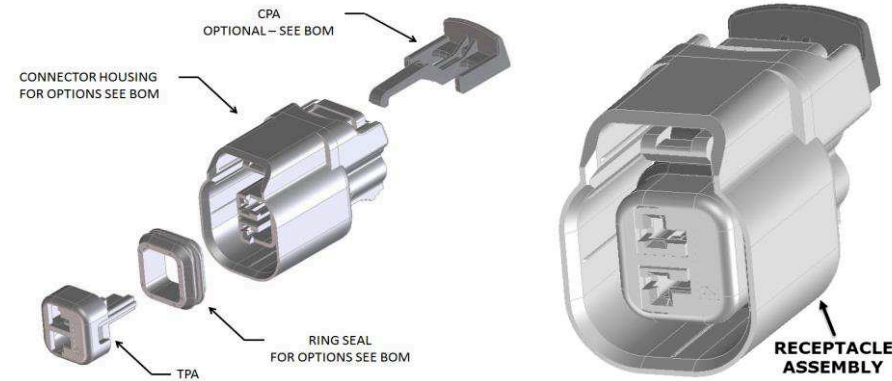
- ALL DIMENSIONS SHOWN IN MILLIMETERS.
- DIMENSIONING AND TOLERANCING PER ASME Y14.5M-1994
- 0.25 RADII ON ALL CORNERS SHOWN SHARP.
- UNSPECIFIED RADII: 0.25 EXCEPT AS NOTED.
- STANDARD COLORS FOR POLARIZATION (SEE CHART). DEVIATION REQUIRES APPROVAL OF AUTHORIZED PERSON.
- REFER TO SAE/USCAR 12 CONNECTOR GUIDELINES FOR ADDITIONAL REQUIREMENTS.
- EXCEPT WHERE NOTED, DRAFT ON OUTSIDE SURFACES IS PERMISSIBLE WITHIN TOLERANCE.
- SYMBOL INDICATES DRAFT DIRECTION.
- FOR TERMINAL MATERIAL, DIMENSIONAL, AND COATING REQUIREMENTS AND ANY BLADE TERMINAL DESIGN INFORMATION NOT SHOWN ON THIS DRAWING SEE EWCAP DWG. NO. EWCAP-001
- A FULL SHROUD ON THE MATING CONNECTOR IS REQUIRED TO ENSURE THAT THE CONNECTOR-HEADER POLARIZATION FEATURES (OPTIONS A THRU H) WILL FUNCTION. THE FULL SHROUD ALSO PREVENTS SCOOP DAMAGE TO THE HEADER PINS. REFER TO SAE/USCAR-12 CONNECTOR DESIGN GUIDE LINES FOR ADDITIONAL INFORMATION.
- REFER TO USCAR/EWCAP PART LIST AS FOUND ON WEBSITE <http://www.uscarteams.org>
- THIS IS A 100% CAD GENERATED PART. THE CAD MATHEMATICAL DATA IS THE MASTER FOR THIS PART. FOR DIMENSIONAL OR ANY INFORMATION NOT SHOWN ON THIS DRAWING, ANALYZE THE CAD MODEL.

THIS DRAWING CONTAINS INFORMATION THAT IS PROPRIETARY TO MOLEX ELECTRONIC TECHNOLOGIES, LLC AND SHOULD NOT BE USED WITHOUT WRITTEN PERMISSION

QUALITY SYMBOLS	THIS DRAWING CONTAINS INFORMATION THAT IS PROPRIETARY TO MOLEX ELECTRONIC TECHNOLOGIES, LLC AND SHOULD NOT BE USED WITHOUT WRITTEN PERMISSION		DIMENSION UNITS	SCALE	
A = 0 E = 0 F = 0 G = 0 H = 0 I = 0 J = 0 K = 0 L = 0 M = 0 N = 0 O = 0 P = 0 Q = 0 R = 0 S = 0 T = 0 U = 0 V = 0 W = 0 X = 0 Y = 0 Z = 0	EC NO: 117955 DRWN: PKABBUR CHKD: KDEKOSKI REV APPR: 2017/05/15 2017/06/14	GENERAL TOLERANCES (UNLESS SPECIFIED) ANGULAR TOL ± 3.0 ° 4 PLACES ± 3 PLACES ± 2 PLACES ± 0.1 1 PLACE ± 0.3 0 PLACES ±	MM	5:1	
DRWN BY: KCUNNINGHAM DATE: 2011/11/08		CHK'D BY: MVANSLAMBROU DATE: 1/26/2012		DRAWING SIZE: E THIRD ANGLE PROJECTION	
APPR BY: KDEKOSKI DATE: 2017/06/14		DRAFT WHERE APPLICABLE MUST REMAIN WITHIN DIMENSIONS			
PRODUCT CUSTOMER DRAWING					SERIES: 34062 MATERIAL NUMBER: N/A CUSTOMER: GENERAL MARKET
DOCUMENT NUMBER: SD-34062-002 DOC TYPE: PSD DOC PART: 000 SHEET NUMBER: 5 OF 5					

OPTION	COLOR	SIMILAR TO AFL DRAWING R63461 (OPTION GEOMETRY IDENTICAL)	COMMENTS
A, C, D	BLACK	A	
B	LIGHT GRAY	B	
E	BLACK	E	NOT RECOMMENDED MATING CONNECTOR IS UNIVERSAL
F	LIGHT GRAY	D	
G	BLACK	C	
H	LIGHT GRAY	F	

MX150 2 WAY CABLE SEAL RECEPTACLE CONNECTION SYSTEM (5.0mm PITCH)  
BOM AND PIN OUT SHEET



RECOMMENDED MATING DEVICE TABLE			
ABBREVIATION	DESCRIPTION	DRAWING INFORMATION	ADDITIONAL INFORMATION
1	USCAR INTERFACE	150-S-002-1-Z01	<a href="http://ewcap.uscar1.com.org">http://ewcap.uscar1.com.org</a>
2	MOLEX INTERFACE	SD-34062-002 SHEET 5	
3	MOLEX INLINE MALE CONNECTOR	E-34675-001	

BOM/ APPLICABLE COMPONENTS TABLE				
ABBREVIATION	DESCRIPTION	COLOR	MATERIAL	
A-BLK	HOUSING OPTION A	BLACK	PA6 GF30	
B-LG	HOUSING OPTION B	LIGHT GRAY	PA6 GF30	
B-BLK	HOUSING OPTION B	BLACK	PA6 GF30	
C-BLK	HOUSING OPTION C	BLACK	PA6 GF30	
D-BLK	HOUSING OPTION D	BLACK	PA6 GF30	
D-LG	HOUSING OPTION D	LIGHT GRAY	PA6 GF30	
E-BLK	HOUSING OPTION E	BLACK	PA6 GF30	
F-LG	HOUSING OPTION F	LIGHT GRAY	PA6 GF30	
G-BLK	HOUSING OPTION G	BLACK	PA6 GF30	
A-BLK-CLIP	HOUSING OPTION A WITH CLIPSLOT	BLACK	PA6 GF30	
B-LG-CLIP	HOUSING OPTION B WITH CLIPSLOT	LIGHT GRAY	PA6 GF30	
B-BLK-CLIP	HOUSING OPTION B WITH CLIPSLOT	BLACK	PA6 GF30	
C-BLK-CLIP	HOUSING OPTION C WITH CLIPSLOT	BLACK	PA6 GF30	
D-BLK-CLIP	HOUSING OPTION D WITH CLIPSLOT	BLACK	PA6 GF30	
D-LG-CLIP	HOUSING OPTION D WITH CLIPSLOT	LIGHT GRAY	PA6 GF30	
A-BLK-SV	HOUSING OPTION A - SEVERE VIBRATION	BLACK	PA6 GF30	
C-BLK-SV	HOUSING OPTION C - SEVERE VIBRATION	BLACK	PA6 GF30	
D-BLK-SV	HOUSING OPTION D - SEVERE VIBRATION	BLACK	PA6 GF30	
R3	RING SEAL TEMP. CLASS 3	MEDIUM BLUE	INHERENTLY LUBRICATED SILICONE	
R4	RING SEAL TEMP. CLASS 4	GREEN	INHERENTLY LUBRICATED SILICONE	
CPA	CPA	RED	PBT GF30	
TPA	INSERT, TPA	NATURAL	PBT GF30	

FOR ADDITIONAL INFORMATION SEE SD-34062-002

ASSEMBLY DESCRIPTION	ASSEMBLY PART NUMBER	COMPONENT				ASSEMBLY OPERATING TEMPERATURE	RECOMMENDED MATING DEVICE			PRODUCTION TOOL STATUS	COMMENTS
		THE PRESENCE OF AN ABBREVIATION INDICATES THE PRESENCE OF THAT COMPONENT.					1	2	3		
		HOUSING OPTION/COLOR	TPA	CPA	RING SEAL						
OPTION A, BLACK, W/O CPA	34062-0021	A-BLK	TPA		R3	-40° C TO 125° C	1	2		SALEABLE	
OPTION B, LIGHT GRAY, W/O CPA	34062-0022	B-LG	TPA		R3	-40° C TO 125° C	1	2	3	SALEABLE	PREFERRED, FULLY SHROUDED
OPTION C, BLACK, W/O CPA	34062-0023	C-BLK	TPA		R3	-40° C TO 125° C	1	2	3	SALEABLE	PREFERRED, FULLY SHROUDED
OPTION D, BLACK, W/O CPA	34062-0024	D-BLK	TPA		R3	-40° C TO 125° C	1	2		SALEABLE	
OPTION D, LIGHT GRAY, W/O CPA	34062-0029	D-LG	TPA		R3	-40° C TO 125° C	1	2		SALEABLE	
OPTION A, BLACK, W/ CPA	34062-0025	A-BLK	TPA	CPA	R3	-40° C TO 125° C	1	2		SALEABLE	
OPTION B, LIGHT GRAY, W/ CPA	34062-0026	B-LG	TPA	CPA	R3	-40° C TO 125° C	1	2	3	SALEABLE	PREFERRED, FULLY SHROUDED
OPTION C, BLACK, W/ CPA	34062-0027	C-BLK	TPA	CPA	R3	-40° C TO 125° C	1	2	3	SALEABLE	PREFERRED, FULLY SHROUDED
OPTION D, BLACK, W/ CPA	34062-0028	D-BLK	TPA	CPA	R3	-40° C TO 125° C	1	2		SALEABLE	
OPTION D, LIGHT GRAY, W/ CPA	34062-0030	D-LG	TPA	CPA	R3	-40° C TO 125° C	1	2		SALEABLE	
OPTION A, BLACK, WITH CLIPSLOT, W/O CPA	34062-0031	A-BLK-CLIP	TPA		R3	-40° C TO 125° C	1	2		SALEABLE	
OPTION B, LIGHT GRAY, WITH CLIPSLOT, W/O CPA	34062-0032	B-LG-CLIP	TPA		R3	-40° C TO 125° C	1	2	3	SALEABLE	PREFERRED, FULLY SHROUDED
OPTION C, BLACK, WITH CLIPSLOT, W/O CPA	34062-0033	C-BLK-CLIP	TPA		R3	-40° C TO 125° C	1	2	3	SALEABLE	PREFERRED, FULLY SHROUDED
OPTION D, BLACK, WITH CLIPSLOT, W/O CPA	34062-0034	D-BLK-CLIP	TPA		R3	-40° C TO 125° C	1	2		SALEABLE	
OPTION D, LIGHT GRAY, WITH CLIPSLOT, W/O CPA	34062-0035	D-LG-CLIP	TPA		R3	-40° C TO 125° C	1	2		SALEABLE	
OPTION A, BLACK, WITH CLIPSLOT, W/ CPA	34062-0036	A-BLK-CLIP	TPA	CPA	R3	-40° C TO 125° C	1	2		SALEABLE	
OPTION B, LIGHT GRAY, WITH CLIPSLOT, W/ CPA	34062-0037	B-LG-CLIP	TPA	CPA	R3	-40° C TO 125° C	1	2	3	SALEABLE	PREFERRED, FULLY SHROUDED
OPTION C, BLACK, WITH CLIPSLOT, W/ CPA	34062-0038	C-BLK-CLIP	TPA	CPA	R3	-40° C TO 125° C	1	2	3	SALEABLE	PREFERRED, FULLY SHROUDED
OPTION D, BLACK, WITH CLIPSLOT, W/ CPA	34062-0039	D-BLK-CLIP	TPA	CPA	R3	-40° C TO 125° C	1	2		SALEABLE	
OPTION D, LIGHT GRAY, WITH CLIPSLOT, W/ CPA	34062-0040	D-LG-CLIP	TPA	CPA	R3	-40° C TO 125° C	1	2		SALEABLE	
OPTION A, BLACK, SEVERE VIBRATION, W/ CPA	34062-4006	A-BLK-SV	TPA	CPA	R4	-40° C TO 155° C	1	2		SALEABLE	
OPTION C, BLACK, SEVERE VIBRATION, W/ CPA	34062-4008	C-BLK-SV	TPA	CPA	R4	-40° C TO 155° C	1	2		SALEABLE	PREFERRED, FULLY SHROUDED
OPTION D, BLACK, SEVERE VIBRATION, W/ CPA	34062-4009	D-BLK-SV	TPA	CPA	R4	-40° C TO 155° C	1	2		SALEABLE	
OPTION E, BLACK, W/O CPA	34062-0041	E-BLK	TPA		R4	-40° C TO 155° C	1	2		SALEABLE	PREFERRED, FULLY SHROUDED
OPTION F, LIGHT GRAY, W/O CPA	34062-0042	F-LG	TPA		R4	-40° C TO 155° C	1	2		SALEABLE	PREFERRED, FULLY SHROUDED
OPTION G, BLACK, W/O CPA	34062-0043	G-BLK	TPA		R4	-40° C TO 155° C	1	2		SALEABLE	PREFERRED, FULLY SHROUDED
OPTION E, BLACK, W/ CPA	34062-0044	E-BLK	TPA	CPA	R4	-40° C TO 155° C	1	2		SALEABLE	PREFERRED, FULLY SHROUDED
OPTION F, LIGHT GRAY, W/ CPA	34062-0045	F-LG	TPA	CPA	R4	-40° C TO 155° C	1	2		SALEABLE	PREFERRED, FULLY SHROUDED
OPTION G, BLACK, W/ CPA	34062-0046	G-BLK	TPA	CPA	R4	-40° C TO 155° C	1	2		SALEABLE	PREFERRED, FULLY SHROUDED
OPTION A, BLACK, W/ CPA	34062-0047	A-BLK	TPA	CPA	R3	-40° C TO 125° C	1	2		SALEABLE	
OPTION B, LIGHT GRAY, W/O CPA	34062-0048	B-LG	TPA		R4	-40° C TO 155° C	1	2	3	SALEABLE	PREFERRED, FULLY SHROUDED
OPTION C, BLACK, W/O CPA	34062-0049	C-BLK	TPA		R4	-40° C TO 155° C	1	2	3	SALEABLE	PREFERRED, FULLY SHROUDED
OPTION B, LIGHT GRAY, W/ CPA	34062-0050	B-LG	TPA	CPA	R4	-40° C TO 155° C	1	2	3	SALEABLE	PREFERRED, FULLY SHROUDED
OPTION C, BLACK, W/ CPA	34062-0051	C-BLK	TPA	CPA	R4	-40° C TO 155° C	1	2	3	SALEABLE	PREFERRED, FULLY SHROUDED
OPTION B, LIGHT GRAY, WITH CLIPSLOT, W/O CPA	34062-0052	B-LG-CLIP	TPA		R4	-40° C TO 155° C	1	2	3	SALEABLE	PREFERRED, FULLY SHROUDED
OPTION C, BLACK, WITH CLIPSLOT, W/O CPA	34062-0053	C-BLK-CLIP	TPA		R4	-40° C TO 155° C	1	2	3	SALEABLE	PREFERRED, FULLY SHROUDED
OPTION B, LIGHT GRAY, WITH CLIPSLOT, W/ CPA	34062-0054	B-LG-CLIP	TPA	CPA	R4	-40° C TO 155° C	1	2	3	SALEABLE	PREFERRED, FULLY SHROUDED
OPTION C, BLACK, WITH CLIPSLOT, W/ CPA	34062-0055	C-BLK-CLIP	TPA	CPA	R4	-40° C TO 155° C	1	2	3	SALEABLE	PREFERRED, FULLY SHROUDED
OPTION C, BLACK, SEVERE VIBRATION, W/O CPA	34062-4003	C-BLK-SV	TPA		R4	-40° C TO 155° C	1	2		SALEABLE	PREFERRED, FULLY SHROUDED
OPTION D, BLACK, SEVERE VIBRATION, W/O CPA	34062-4004	D-BLK-SV	TPA		R4	-40° C TO 155° C	1	2		SALEABLE	
OPTION D, BLACK, WITH CLIPSLOT, W/ CPA	34062-0056	D-BLK-CLIP	TPA	CPA	R4	-40° C TO 155° C	1	2		SALEABLE	
OPTION A, BLACK, WITH CLIPSLOT, W/ CPA	34062-0057	A-BLK-CLIP	TPA	CPA	R3	-40° C TO 125° C	1	2		SALEABLE	
OPTION B, BLACK, W/O CPA	34062-0058	B-BLK	TPA		R3	-40° C TO 125° C	1	2	3	SALEABLE	PREFERRED, FULLY SHROUDED
OPTION B, BLACK, W/ CPA	34062-0059	B-BLK	TPA	CPA	R3	-40° C TO 125° C	1	2	3	SALEABLE	PREFERRED, FULLY SHROUDED
OPTION B, BLACK, WITH CLIPSLOT, W/O CPA	34062-0060	B-BLK-CLIP	TPA		R3	-40° C TO 125° C	1	2	3	SALEABLE	PREFERRED, FULLY SHROUDED
OPTION B, BLACK, WITH CLIPSLOT, W/ CPA	34062-0061	B-BLK-CLIP	TPA	CPA	R3	-40° C TO 125° C	1	2	3	SALEABLE	PREFERRED, FULLY SHROUDED