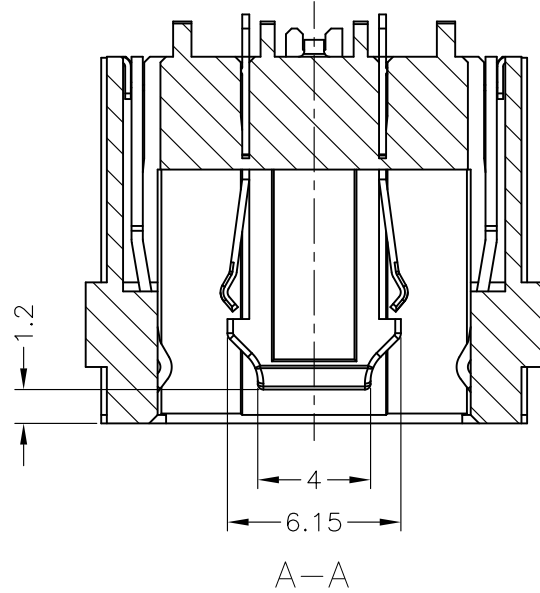
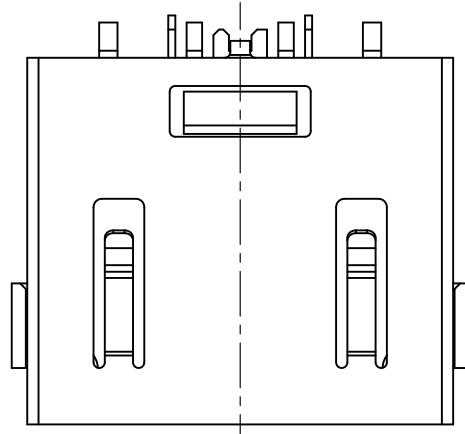
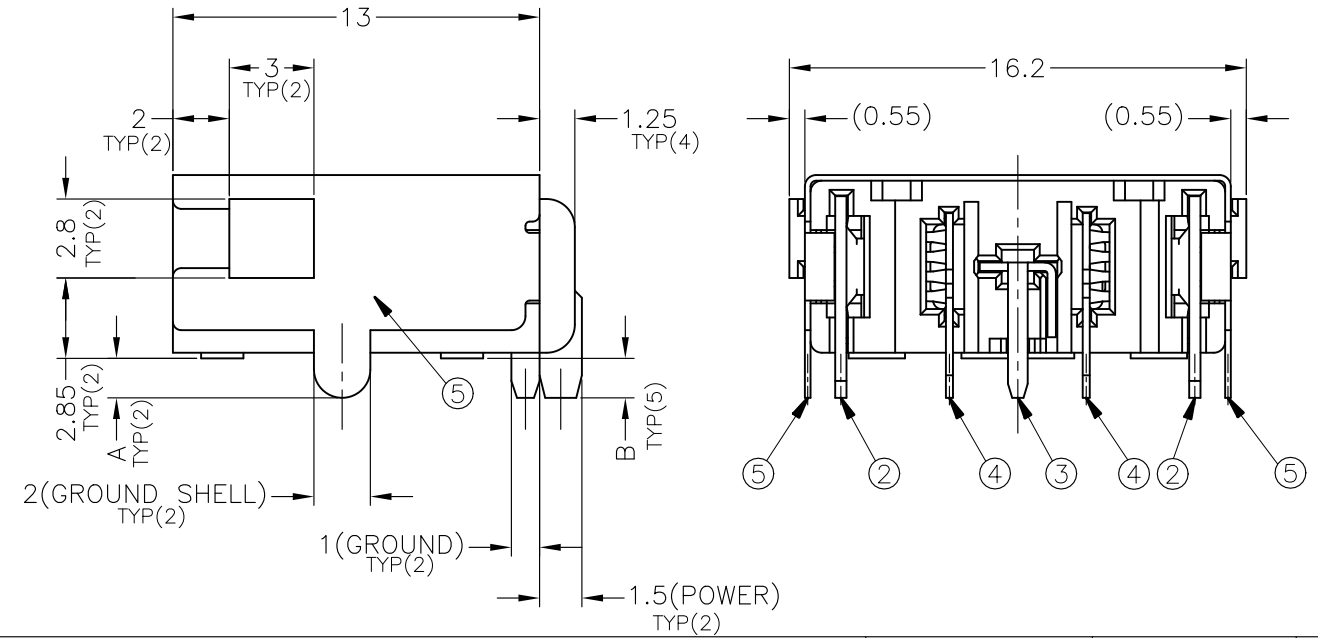
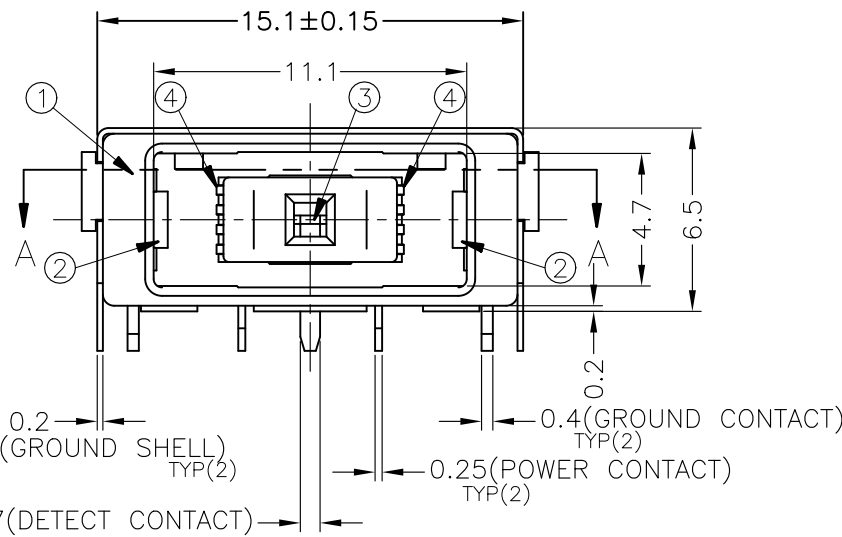


THIS DRAWING IS UNPUBLISHED. RELEASED FOR PUBLICATION - ,4:1 .
 © COPYRIGHT - By - ALL RIGHTS RESERVED.

LOC		DIST		REVISIONS			
P	LTR	DESCRIPTION		DATE	DWN	APVD	
	B2	REVISED(ECR-18-000596)		10JAN18	T.Z	H.W	

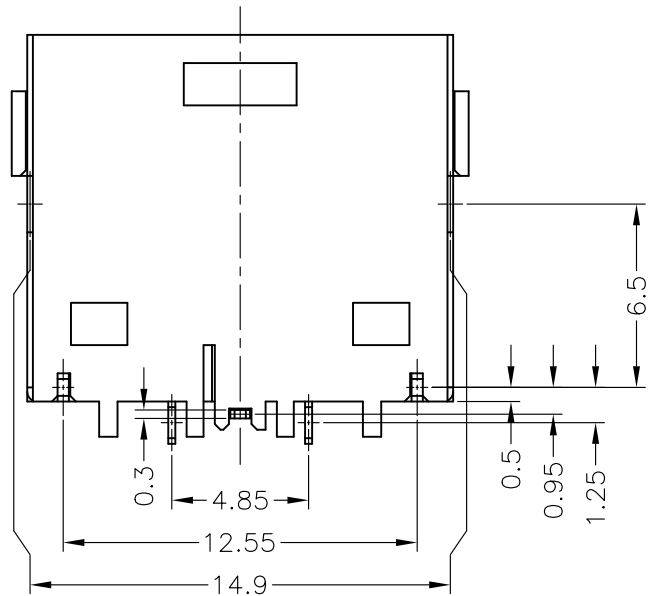


- EU ROHS-RELATED RESTRICTED SUBSTANCE SPEC IN HOMOGENEOUS MATERIAL REFER TO TEC-138-702 REV.G:
 LEAD < 1000PPM, CADMIUM < 100PPM, MERCURY < 1000PPM
 CHROMIUM VI < 1000PPM, PBB <1000PPM, PBDE < 1000PPM
- HALOGEN FREE SPEC:
 CHLORINE (Cl): 900 ppm MAX.
 BROMINE (Br): 900 ppm MAX.
 CHLORINE (Cl) + BROMINE (Br): 1500 ppm MAX.



A'SSY P/N					
	1-2129458-3	1-2129458-2	1-2129458-1	2129458-2	2129458-1
DIM B	2.1	1.2	1.4	1.2	1.4
DIM A	2.1	1.2	1.4	1.2	1.4

Q'TY	FINISH/COLOR	MATERIAL	PART NAME	NO.
1	0.002mm MATTE TIN PLATING ON SOLDER AREA, 0.00127mm MIN. NICKEL UNDERPLATED ALL OVER	COPPER ALLOY	GROUND SHELL	⑤
2	0.0002mm GOLD PLATING ON CONTACT AREA, 0.002mm MATTE TIN PLATING ON SOLDER AREA, 0.002mm MIN. NICKEL UNDERPLATED ALL OVER	COPPER ALLOY	POWER CONTACT	④
1	0.0002mm GOLD PLATING ON CONTACT AREA, 0.002mm MATTE TIN PLATING ON SOLDER AREA, 0.002mm MIN. NICKEL UNDERPLATED ALL OVER	COPPER ALLOY	DETECT CONTACT	③
2	0.0002mm GOLD PLATING ON CONTACT AREA, 0.002mm MATTE TIN PLATING ON SOLDER AREA, 0.002mm MIN. NICKEL UNDERPLATED ALL OVER	COPPER ALLOY	GROUND CONTACT	②
1	BLACK	HIGH TEMPERATURE THERMO-PLASTIC (UL94V-0)	HOUSING	①



THIS DRAWING IS A CONTROLLED DOCUMENT.

DIMENSIONS: mm

TOLERANCES UNLESS OTHERWISE SPECIFIED:
 0 PLC ±
 1 PLC ±
 2 PLC ±0.25
 3 PLC ±3°
 4 PLC ±
 ANGLES ±

MATERIAL: SEE TABLE

FINISH: -

DWN: S.HUANG 20JUN2012
 CHK: V.PENG 20JUN2012
 APVD: W.KODAMA 20JUN2012

NAME: DC POWER JACK CONNECTOR DIP TYPE (10.7A)

PRODUCT SPEC: 108-99040
 APPLICATION SPEC: 501-99041

WEIGHT: 1.94g

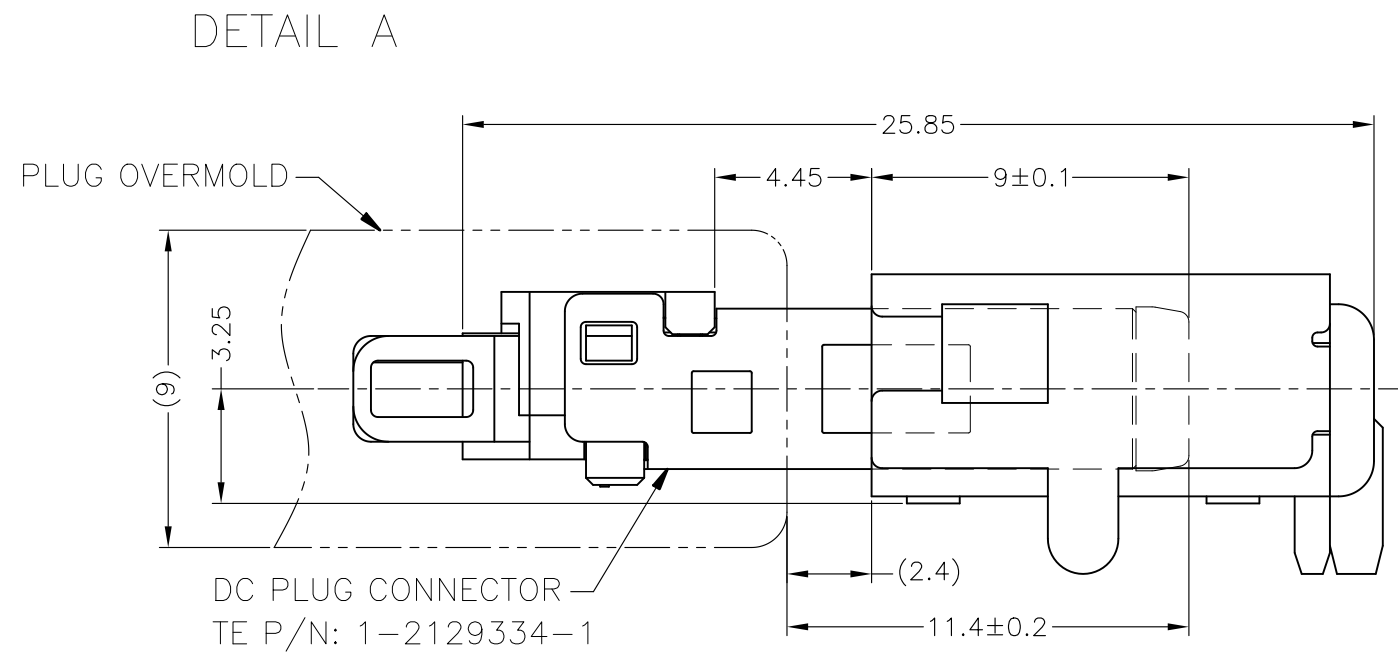
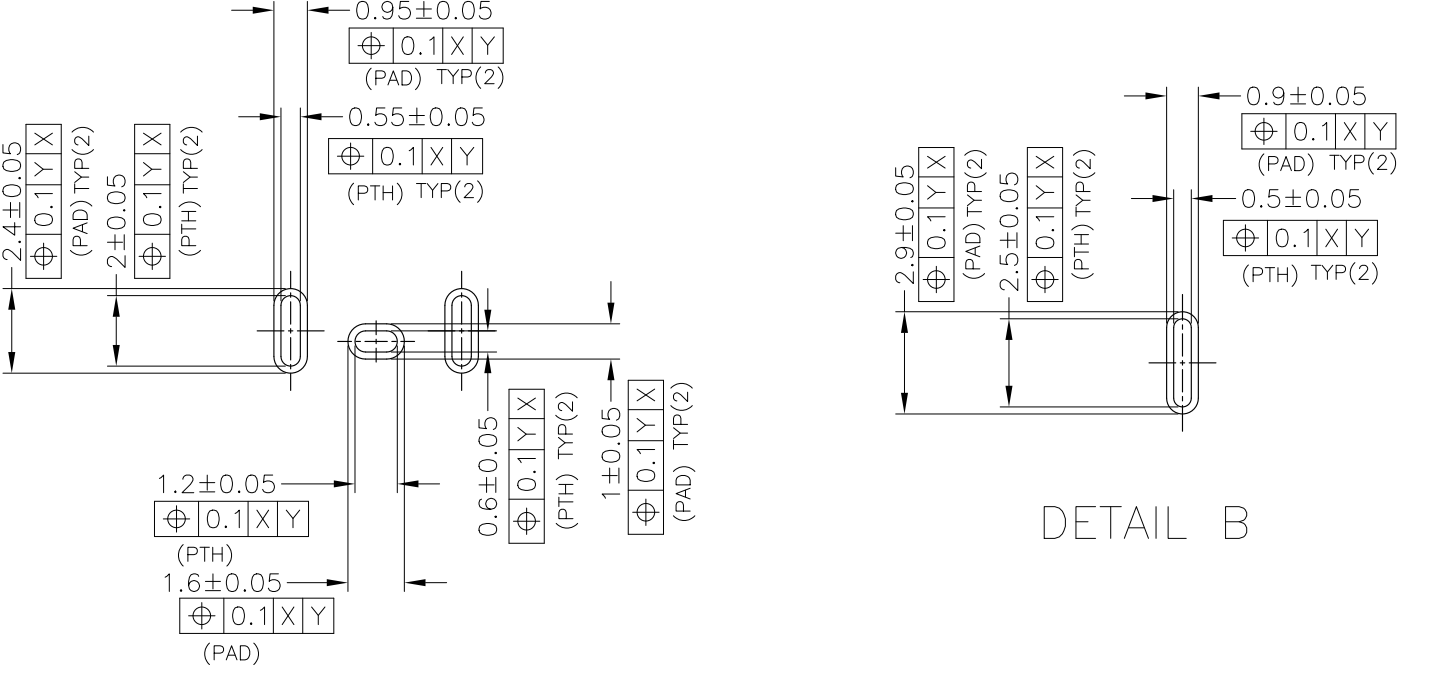
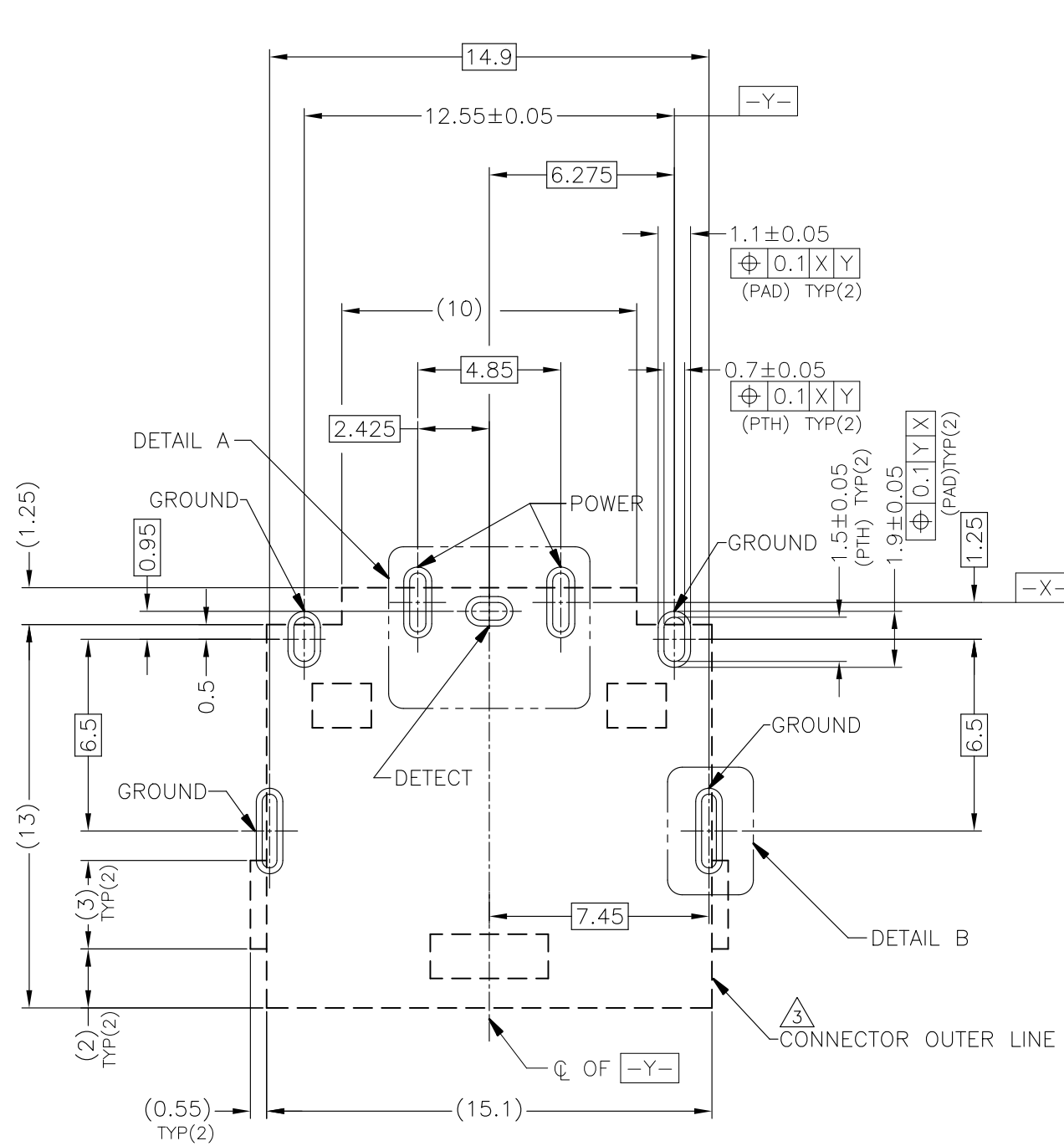
SIZE: A3
 CAGE CODE: 00779
 DRAWING NO: C=2129458

RESTRICTED TO: -

CUSTOMER DRAWING

SCALE: 4:1
 SHEET: 1 of 3
 REV: B2

LOC	DIST	REVISIONS			
P	LTR	DESCRIPTION	DATE	DWN	APVD
DW		SEE SHEET 1	-	-	-



RECOMMENDED P.C.BOARD PATTERN LAYOUT (TOP VIEW)
 TOLERANCE:±0.05 (THICKNESS=0.8mm)

△ [] : CONNECTOR OUTER LINE (NO COMPONENT AREA)

THIS DRAWING IS A CONTROLLED DOCUMENT.		DWN			
DIMENSIONS: mm		CHK			
TOLERANCES UNLESS OTHERWISE SPECIFIED:		APVD			
0-PLC ±- 1-PLC ±- 2-PLC ±- ±0.25 3-PLC ±- ±3' 4-PLC ±- ANGLES ±-		PRODUCT SPEC			
MATERIAL		WEIGHT		NAME	
FINISH		APVD		DC POWER JACK CONNECTOR DIP TYPE (10.7A)	
		APPLICATION SPEC		SIZE	
		WEIGHT		CAGE CODE	
		CUSTOMER DRAWING		DRAWING NO	
				A3 00779 C=2129458	
				RESTRICTED TO	
				SCALE 5:1	
				SHEET 2 OF 3	
				REV B2	

4

3

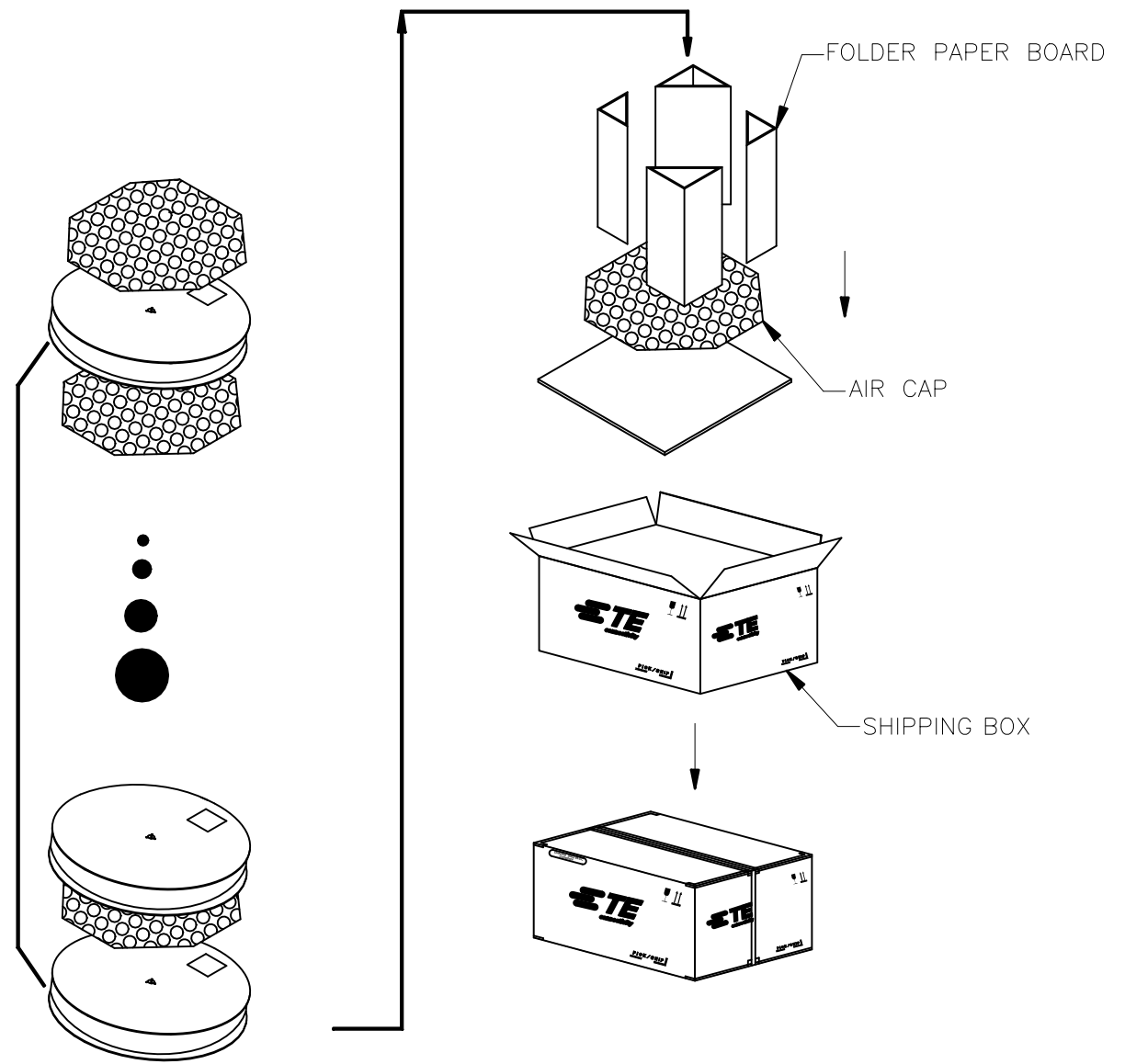
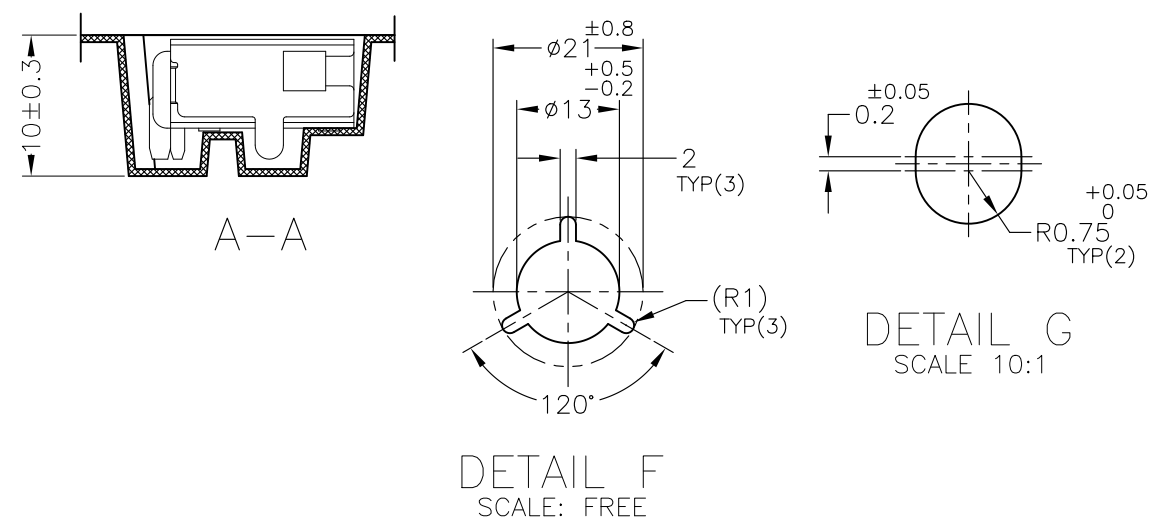
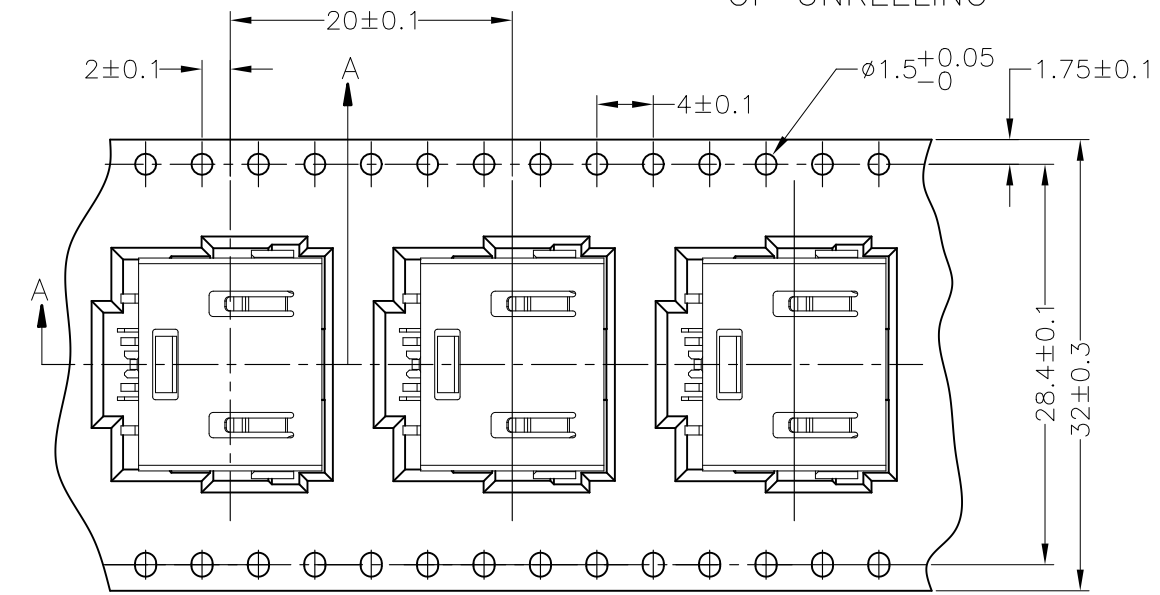
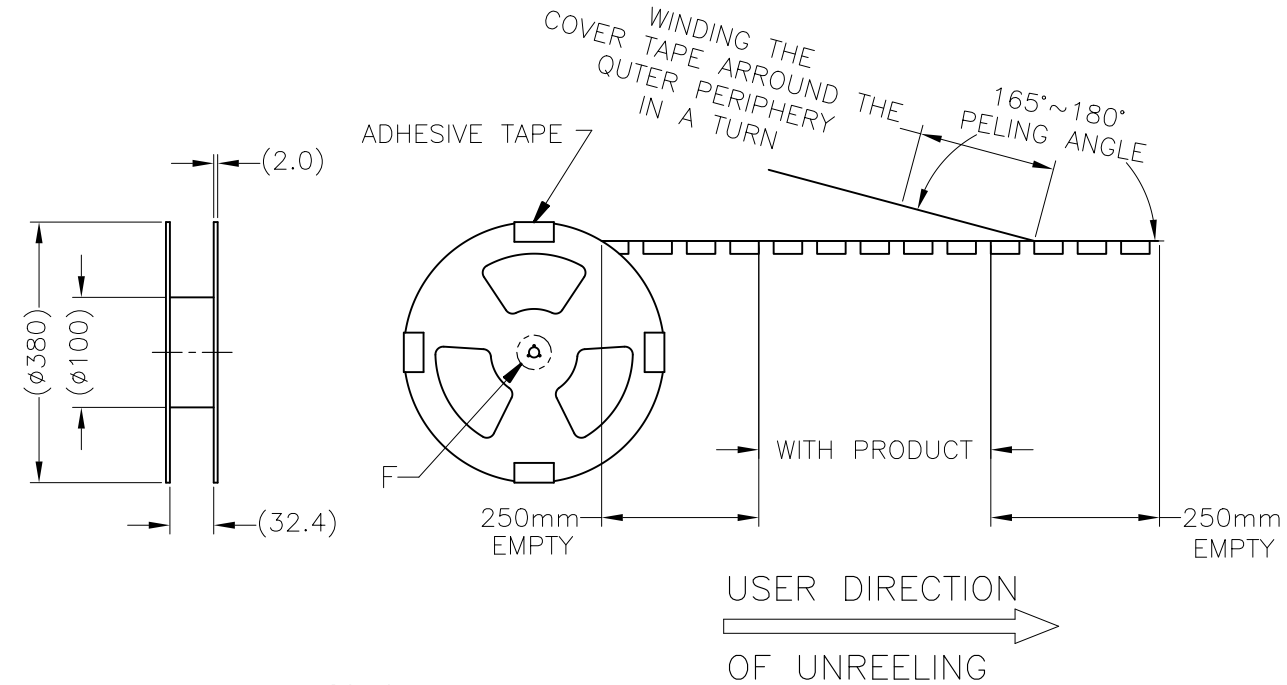
2

1

THIS DRAWING IS UNPUBLISHED. RELEASED FOR PUBLICATION
 © COPYRIGHT - By - ALL RIGHTS RESERVED.

LOC	DIST	REVISIONS				
P	LTR	DESCRIPTION	DATE	DWN	APVD	
DW		SEE SHEET 1	-	-	-	

4. SHIPPING BOX DIMENSION: 445mmX445mmX270mm



450	5	2250
PCS/REEL	REEL/SHIPPING BOX	TOTAL Q'TY

THIS DRAWING IS A CONTROLLED DOCUMENT.		DWN			
DIMENSIONS: mm		CHK			
TOLERANCES UNLESS OTHERWISE SPECIFIED:		APVD		NAME	
0 PLC ± - 1 PLC ± - 2 PLC ± - 3 PLC ± - 4 PLC ± - ANGLES ± -		PRODUCT SPEC		DC POWER JACK CONNECTOR DIP TYPE (10.7A)	
MATERIAL		WEIGHT		SIZE	
FINISH		CUSTOMER DRAWING		CAGE CODE	
				DRAWING NO	
				RESTRICTED TO	
				A3 00779 C=2129458	
				SCALE	
				SHEET	
				3 of 3	
				REV	
				B2	

Mouser Electronics

Authorized Distributor

Click to View Pricing, Inventory, Delivery & Lifecycle Information:

[TE Connectivity:](#)

[1-2129458-1](#)