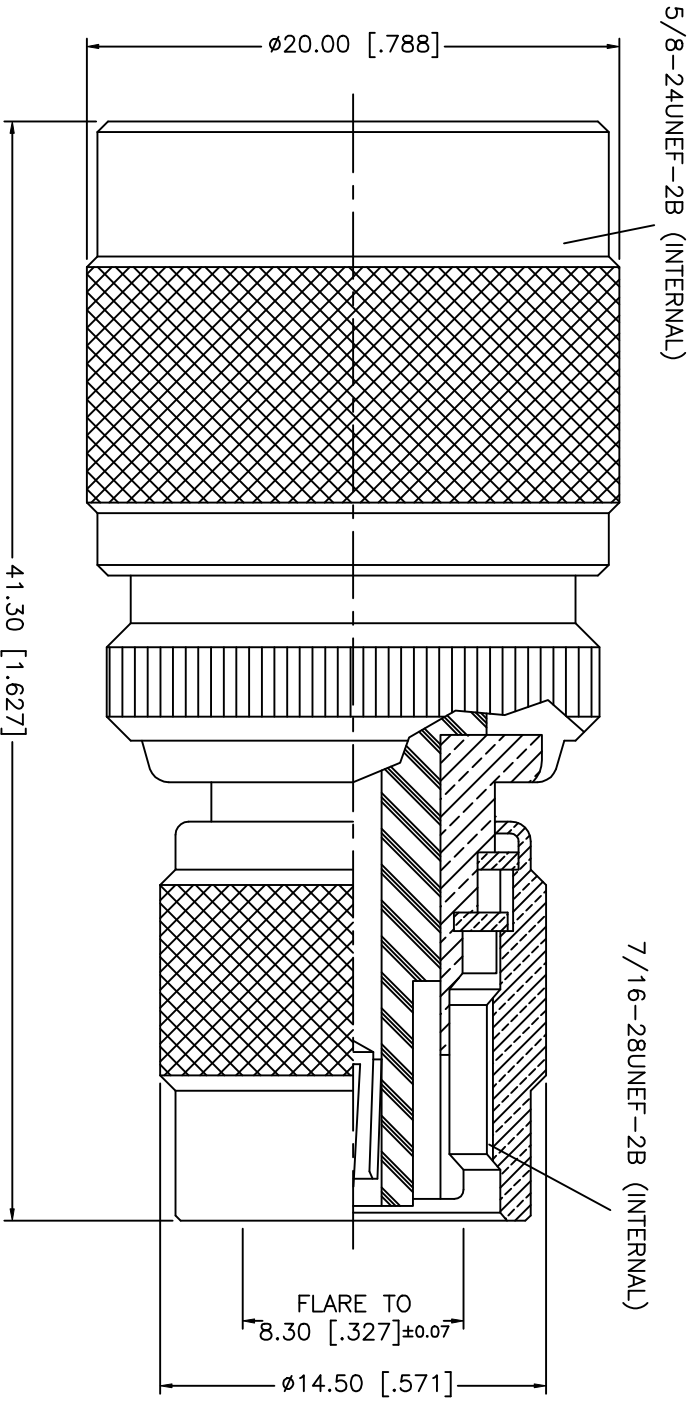


REV.	DATE	DESCRIPTION
NC	07/15/02	INITIAL RELEASE



8			
7			
6	WASHER	BRASS	NICKEL
5	GASKET	RUBBER	RED
4	RETAINER RING	BER. COPPER	NATURAL
3	CONTACT PIN	PHOS. BRONZE	GOLD
2	INSULATOR	TEFLON	NATURAL
1	SHELL/BODY	BRASS	NICKEL
	DESCRIPTION	MATERIAL	FINISH

UNLESS OTHERWISE SPECIFIED
DIMENSIONS ARE IN MILLIMETERS
DIMENSIONS IN []
ARE IN INCHES FOR
CUSTOMER REFERENCE ONLY

UNLESS OTHERWISE SPECIFIED
TOLERANCES FOR INCHES ARE:
.XXX = ± 0.005"
.XX = ± 0.010"
.X = ± 0.020"

DO NOT SCALE DRAWING

APPROVALS		DATE
DRAWN	G.R.S.	07/15/02
CHECKED		
ISSUED		

Amphenol - Connex
CONNECTOR CORPORATION

TITLE
N PLUG TO TNC REVERSE POLARITY
PLUG ADAPTOR

SIZE	FSCM NO.	DWG. NO.	REV.
A	99001	242133RP.DWG	NC
SCALE	PART NO.	SHEET	
NA	242133RP	1 OF 1	

Mouser Electronics

Authorized Distributor

Click to View Pricing, Inventory, Delivery & Lifecycle Information:

[Amphenol:](#)

[242133RP](#)