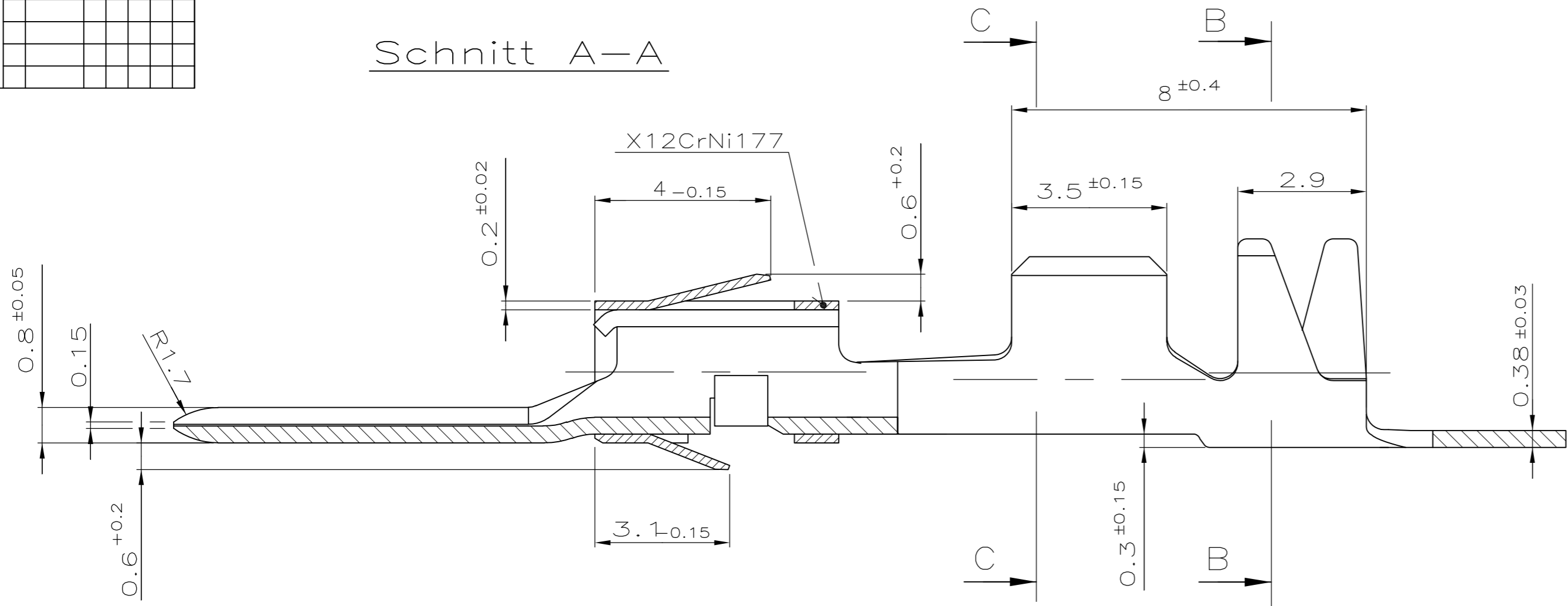


THIS DRAWING IS UNPUBLISHED. RELEASED FOR PUBLICATION
 © COPYRIGHT - By - ALL RIGHTS RESERVED.

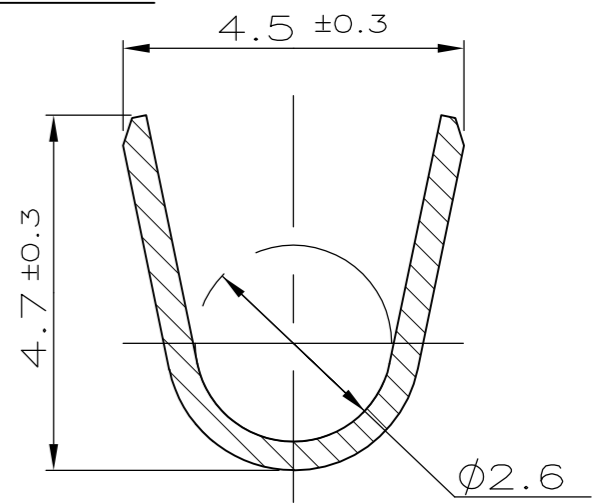
Doppelanschlag		von		mit			
Kombinationen		0.5	1.0	1.5	2.0	2.5	
Einzelanschläge		X	X	X	X		
		X	X	X	X		
		X	X	X	X		
		X	X	X	X		

LOC	DIST	REVISIONS			
P	LTR	DESCRIPTION	DATE	DWN	APVD
	F	Revisionsstand angeglichen	02.04.97	-	T.Bersch
	F1	Variante 8- -1 hinzu	20.10.99	-	V.Huhn
	F2	ECR-15-012070	13AUG2015	JBH	BK

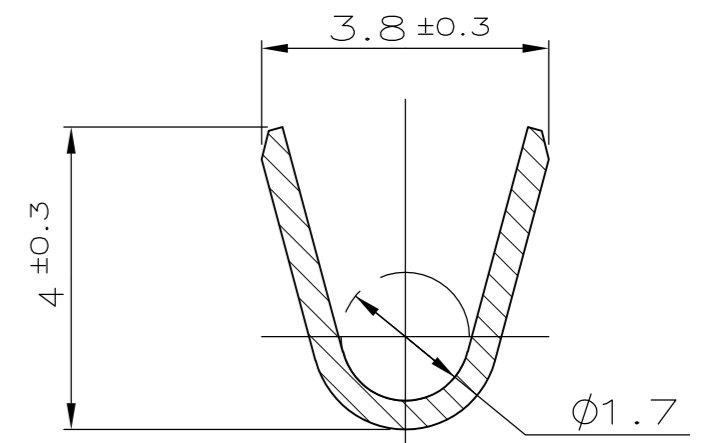
Schnitt A-A



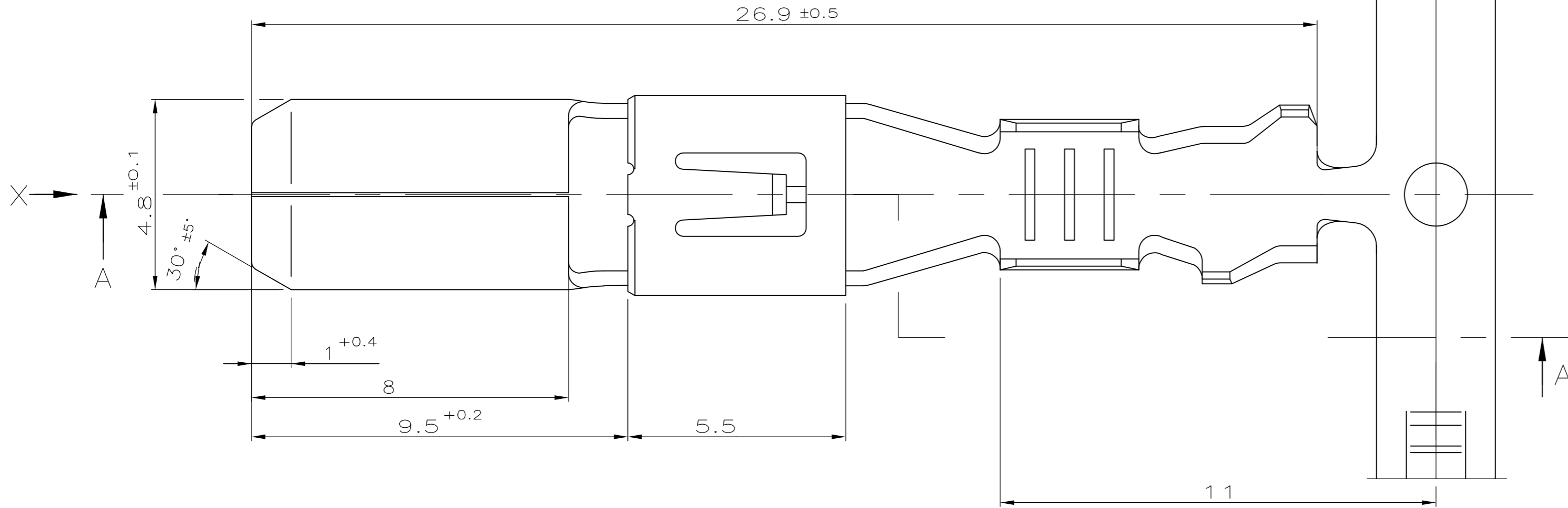
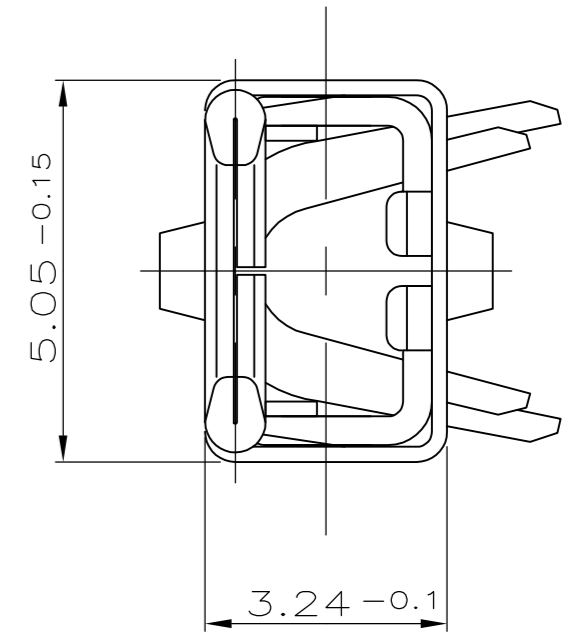
Schnitt B-B



Schnitt C-C



ANSICHT X



Drahtröß enbereich: >1.0-2.5 mm²
 Isolations Ø: 2.1-3.0 (FLR)

8-962904-1	F	CuSn4	vorverzinkt
962904-2	F	CuFe2	vorverzinkt
962904-1	F	CuSn4	vorverzinkt
ORDER NO. BESTELL- NR.	REV.	WERKSTOFF	Colour Farbe

THIS DRAWING IS A CONTROLLED DOCUMENT.

DWN	H.Gehrke	23.01.92
CHK	-	-
APVD	-	-
PRODUCT SPEC	-	-
APPLICATION SPEC	-	-
WEIGHT	-	-
CUSTOMER DRAWING	SCALE 10:1	SHEET 1 OF 1

TE Connectivity
 4.8mm Flachstecker mit doppelter Rastfeder

SIZE	A2	CAGE CODE	00779	DRAWING NO	C=962904	RESTRICTED TO	-
REV	F2						

Mouser Electronics

Authorized Distributor

Click to View Pricing, Inventory, Delivery & Lifecycle Information:

[TE Connectivity:](#)

[962904-2](#)