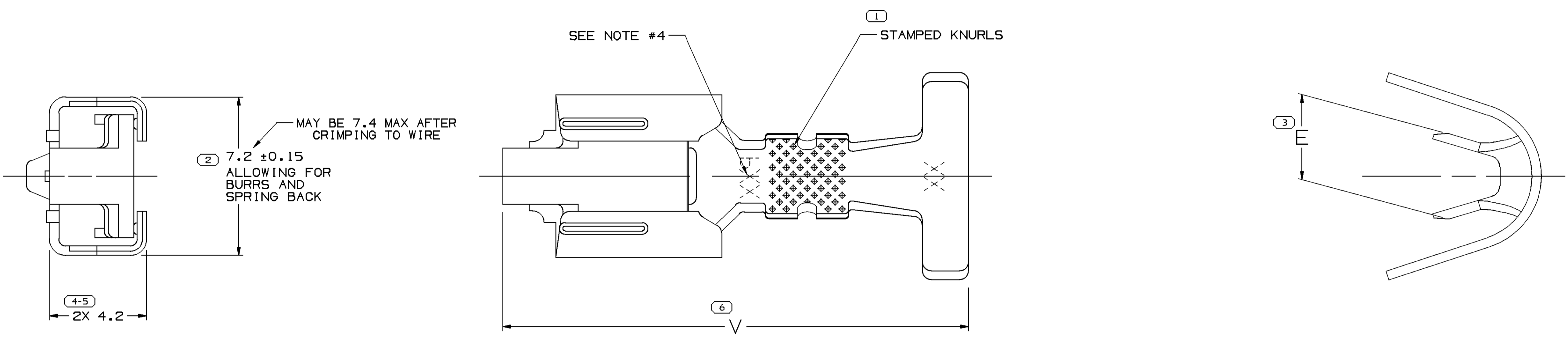
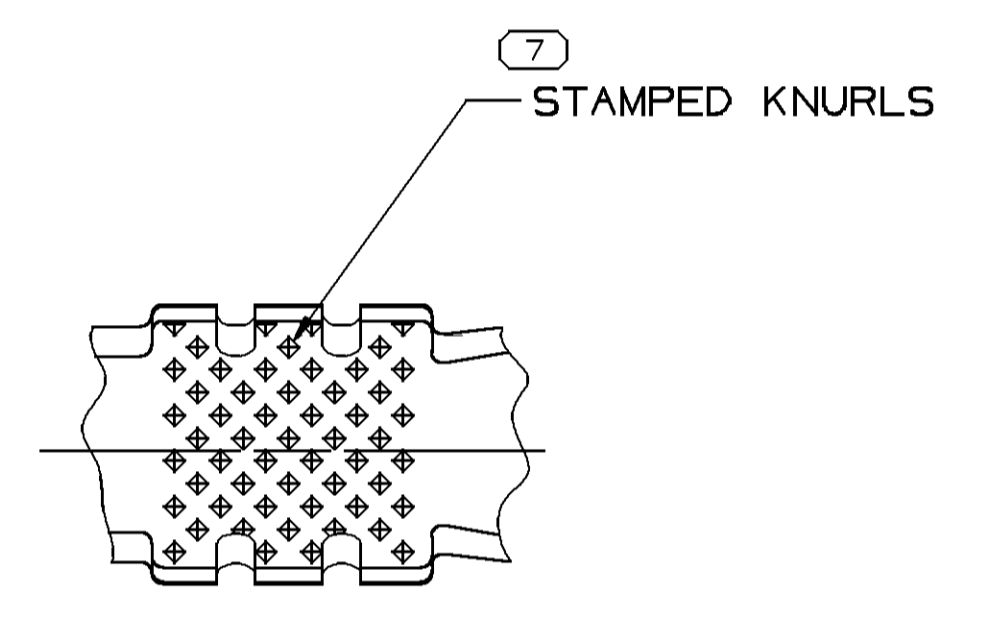
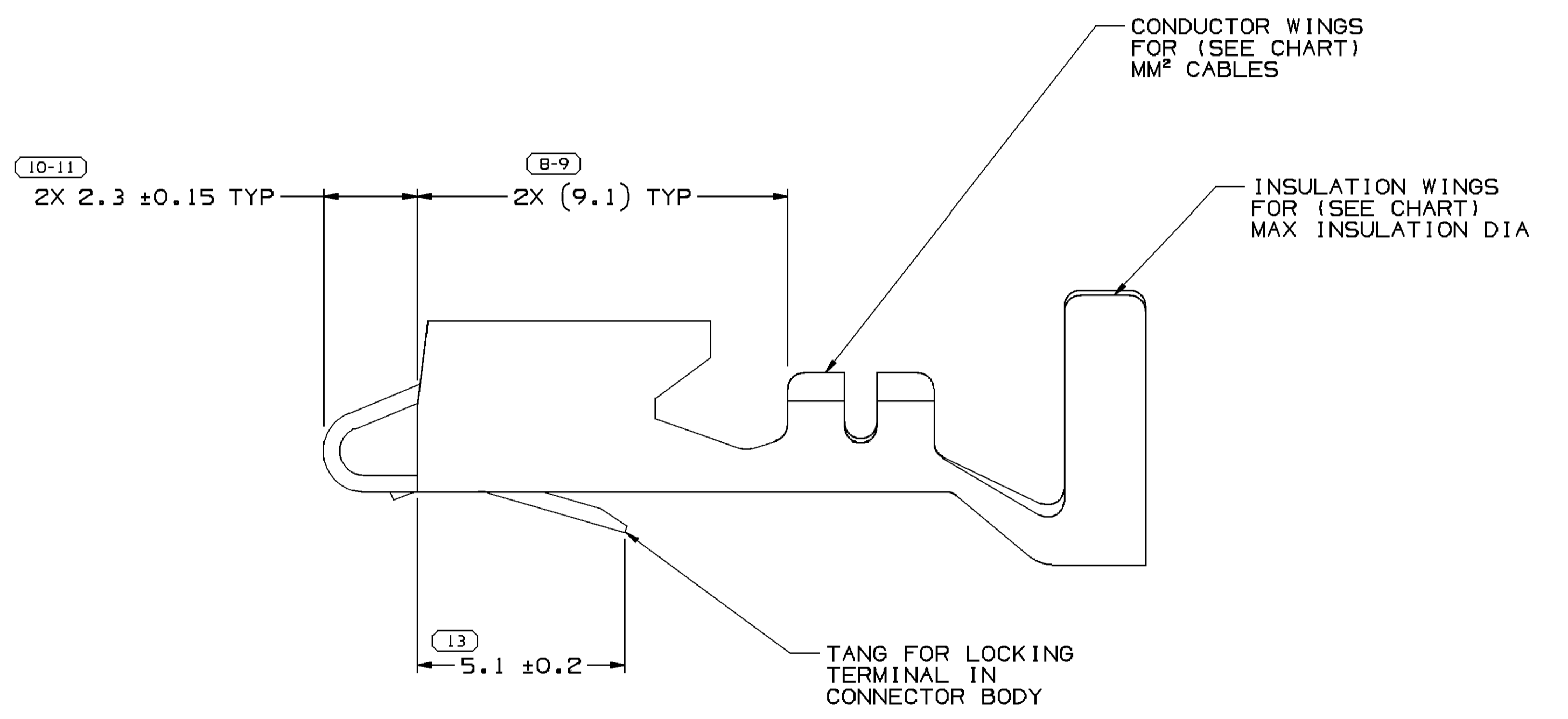


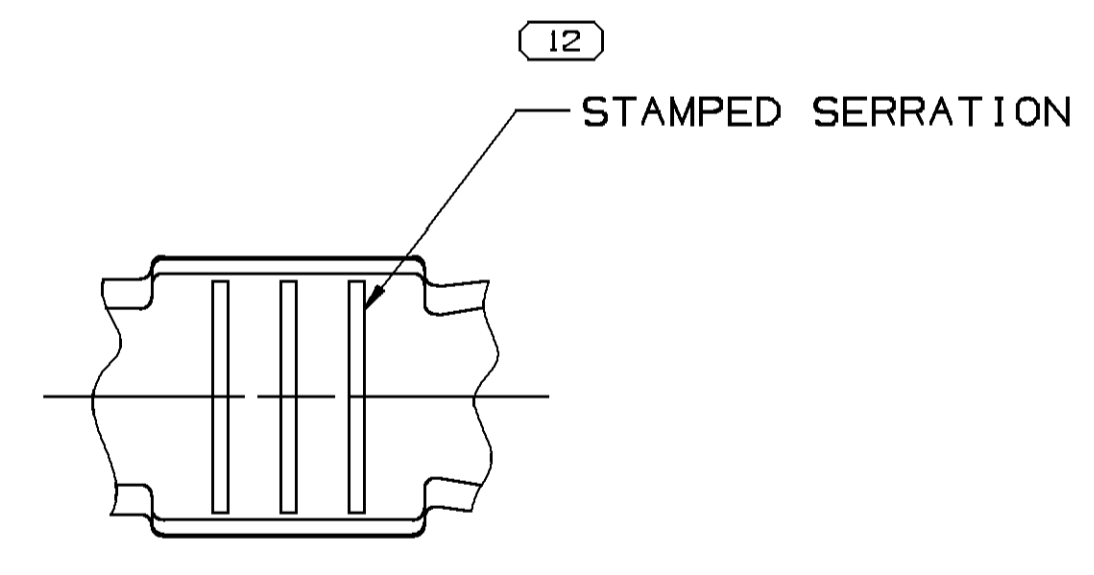
SYMBOL DEFINITION		MISSING NUMBERS		DWS STATUS		ZONE		REVISION HISTORY		AUTH		DR		APVD					
DATE	STG	REV	IN/P	CHG	DATE	STG	REV	IN/P	CHG	DATE	STG	REV	IN/P	CHG	DATE	STG	REV	IN/P	CHG
27AU99	R	001	-	-	14-16,					990009	RGT	CMP	JH						
27AU99	R	002	-	-						198182	RGT	CMP	JH						
09JA03	R	03	-	-						230755	ECB	JAA	AGL						
29ND04	R	04	-	-						261521	END	END	B6						
21FE05	R	05	-	-						264738	END	END	B6						
06JN05	R	06	-	-						268139	MM	MJM	B6						
27OC06	R	07	-	-						286199	MM	MM	B6						
19JUL11	R	08	-	-						414803	HRS	HRS	GEM						
15AU12	R	09	-	-						418815	JFF	JFF	JFF						
18FE15	R	10	-	-						428877	ABH	JVM	JSM						



TYPE 101

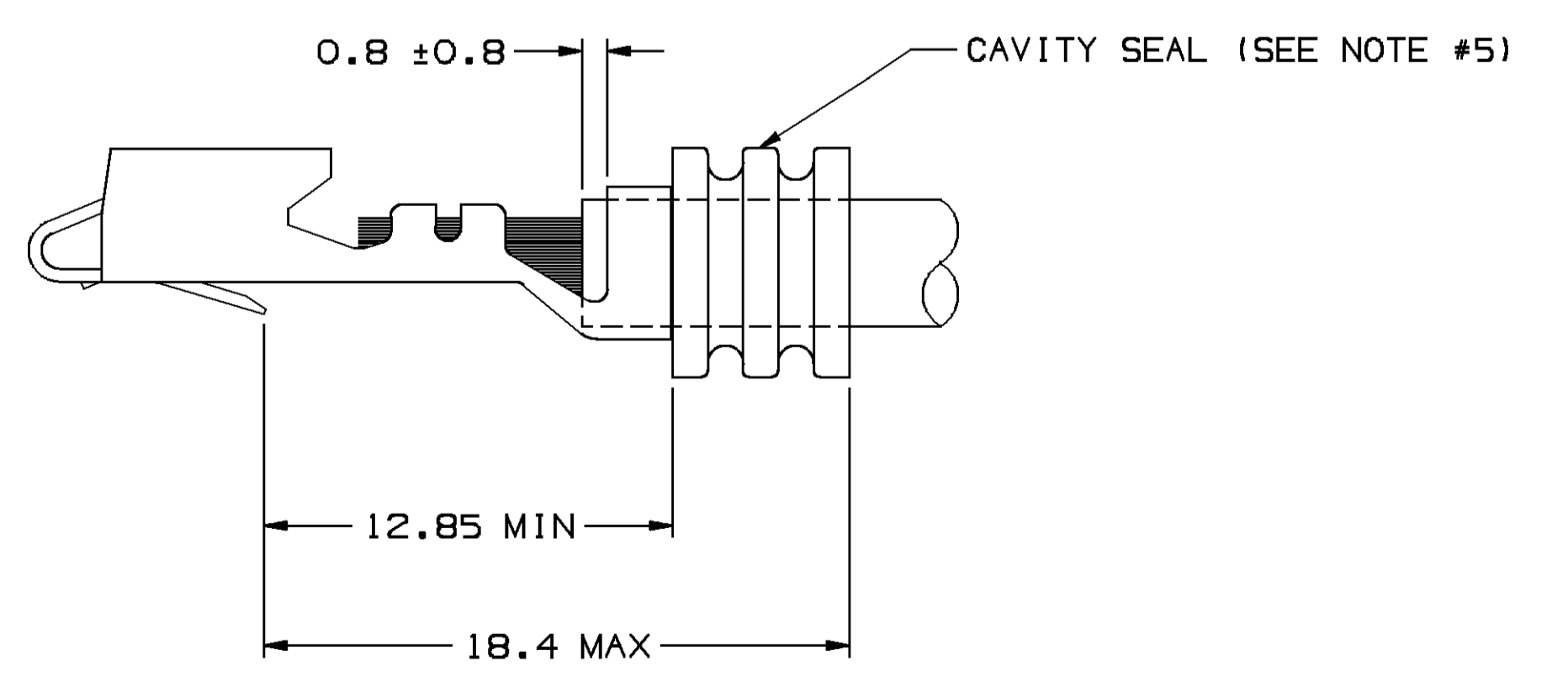


TYPE 102
SAME AS TYPE 101
EXCEPT AS SHOWN

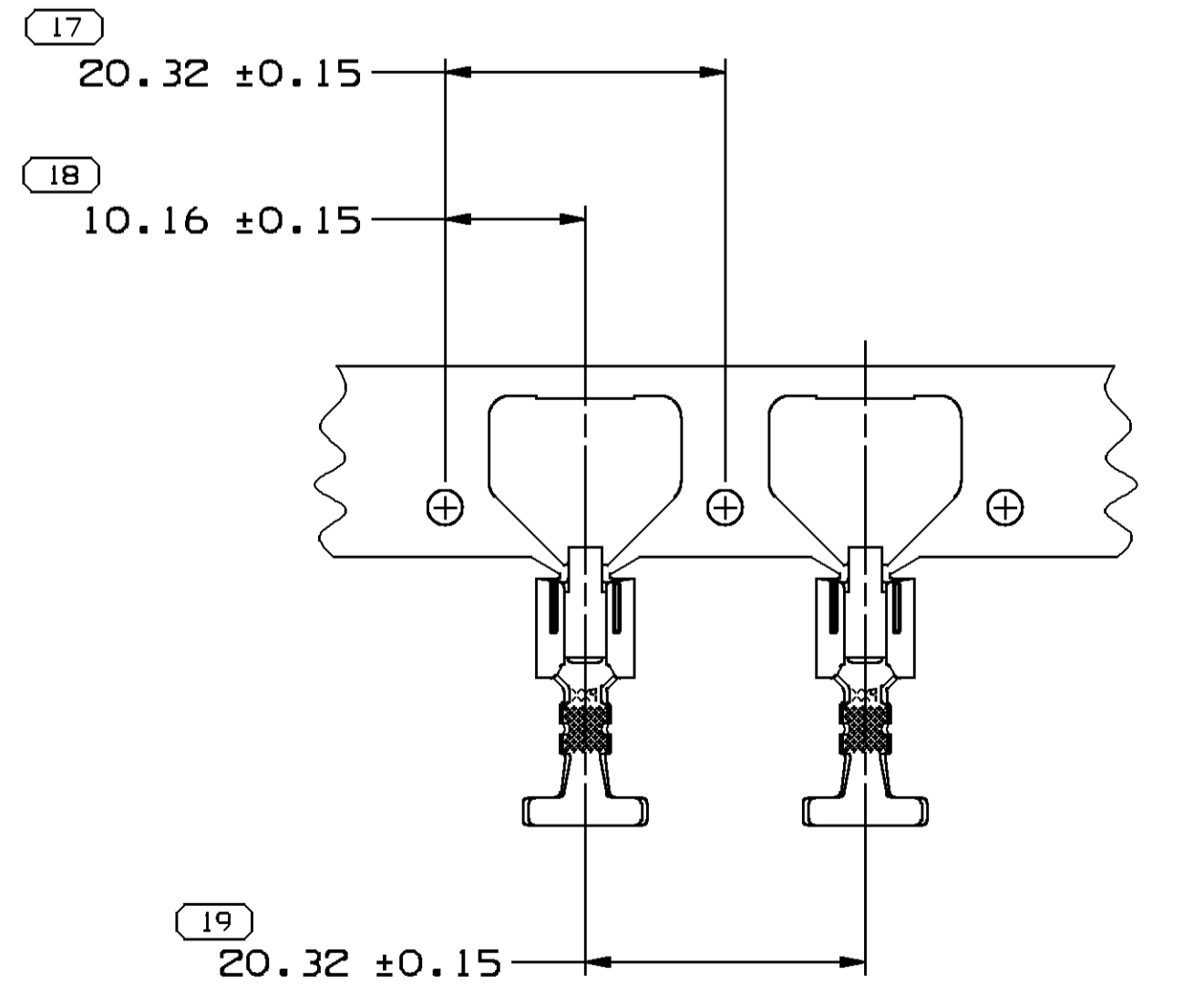


TYPE 103
SAME AS TYPE 101
EXCEPT AS SHOWN

TYPE 104
SAME AS TYPE 103
EXCEPT AS SHOWN



SCALE 5:1

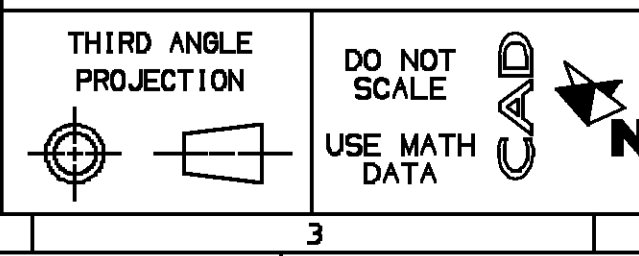


CARRIER STRIP VIEW
SCALE 2:1

- NOTES
- UNLESS OTHERWISE SPECIFIED AND/OR INDICATED: DIMENSIONS ARE TO FACE OF VIEW SHOWN AND AUTOMATICALLY ROUNDED BY COMPUTER FOR INSPECTION (SEE MATH MODEL FOR PRECISE DIMENSIONS). FOR ALL OTHER DIMENSIONS NOT SHOWN BUT REQUIRED FOR TOOL BUILD, SEE MATH MODEL FOR PRECISE TOOL PATH DATA.
 - RECOMMENDED MATING BLADE 0.8 +0.04/-0.03 THK X 6.3 ± 0.1 WIDE.
 - THIS PART ACCEPTS THE FOLLOWING COMPONENTS OR EQUIVALENT: TERMINAL 12020127
 - "PXX" INDICATES "P" PLUS LAST TWO DIGITS OF MAKE DIE SERIES NUMBER (PO1, PO2, PO3, ETC).
 - TERMINAL TO CRIMP AND RETAIN CAVITY SEAL 120523B6 OR EQUIVALENT.
 - DO NOT PROBE, TEST OR OTHERWISE CONTACT THE INTERIOR REGION (THE SPRING OR ANY MOVING PART) OF THIS TERMINAL. SEVERE DAMAGE CAN OCCUR, COMPROMISING THE PERFORMANCE OF THE ELECTRICAL INTERFACE.
 - FOR TERMINALS PACKAGED & STORED IN THE APPROVED MANNER, TARNISH ON SILVER PLATED SURFACES WILL NOT AFFECT THE PERFORMANCE OF THE PART.

PART NO	REV	IN/P	MAT'L SIZE	MAT'L SPEC	PART NO	REV	IN/P	MAT'L SIZE	MAT'L SPEC	SIZE (MM²)	ID	DIA	TYPE	E	V
					15317332	03	AD	0.406 X 33.32	AG PLATED COPPER NICKEL ALLOY	6-4	10	5.24	104	5.7	19.48
					15317331	03	AC	0.406 X 33.32	COPPER ALLOY	6-4	10	5.24	103	5.7	19.48
					15305232	02	AD	0.406 X 33.32	AG PLATED COPPER NICKEL ALLOY	5-3	11	5.24	101	4.6	19.48
12066562	F	-	0.406 X 33.32	COPPER ALLOY	12052458	F	-	0.406 X 33.32	COPPER ALLOY	3	12	4.9	101	4.6	19.79
12066561	F	-	0.406 X 33.32	COPPER ALLOY	12052457	08	AC	0.406 X 33.32	COPPER ALLOY	0.8-0.5	19	2.68	102	3.2	19.79
12066560	G	-	0.406 X 33.32	COPPER ALLOY	12052456	09	AC	0.406 X 33.32	COPPER ALLOY	5-3	11	5.24	101	4.6	19.48
12066559	E	-	0.406 X 33.32	COPPER ALLOY	12052455	07	AC	0.406 X 33.32	COPPER ALLOY	2-1	15	3.59	101	3.7	19.79

13 PROCESS SENSITIVE DIMENSION	
DIMENSIONS ENCLOSED IN () INDICATE REFERENCE DIMENSIONS AND NO TOLERANCE LIMITS ARE ESTABLISHED	CHART ID
FROM 0 TO 12	13
TOLERANCE UNLESS OTHERWISE SPECIFIED	
±0.1	±0.2
ANGULAR TOLERANCE ±2°	



DELPHI
DELPHI PACKARD ELECTRICAL/ELECTRONIC ARCHITECTURE

WARREN, OH
COPYRIGHT 1988 DELPHI CORPORATION AND/OR ITS AFFILIATES. ALL RIGHTS RESERVED.
THIS DRAWING IS THE PROPERTY OF DELPHI CORPORATION AND CONTAINS DELPHI CONFIDENTIAL INFORMATION. THE REPRODUCTION, DISTRIBUTION AND UTILIZATION OF THIS DOCUMENT OR ITS CONTENTS OR DATA, AS WELL AS COMMUNICATION OF ANY CONTENT TO OTHERS, WITHOUT EXPRESS AUTHORIZATION, IS PROHIBITED.

DATE: 22 JUL 88

OR: ANDY T. LE

APV02: J. COLDSNOW

APV03: R. D. KEARNS

APV04:

APV05:

SUBSTANCES OF CONCERN AND RECYCLED CONTENT PER DELPHI (944901)

MATERIAL: SEE CHART

DRAWING NUMBER: 12088013

SIZE: A0

SCALE: 10:1

FRAME NO: 1

SHEET NO: 1

SHEET NO: 1 OF 3

REV: R

IN/P: 10

Mouser Electronics

Authorized Distributor

Click to View Pricing, Inventory, Delivery & Lifecycle Information:

[Aptiv:](#)

[12052455-L](#) [12052456-L](#) [12052457-L](#)