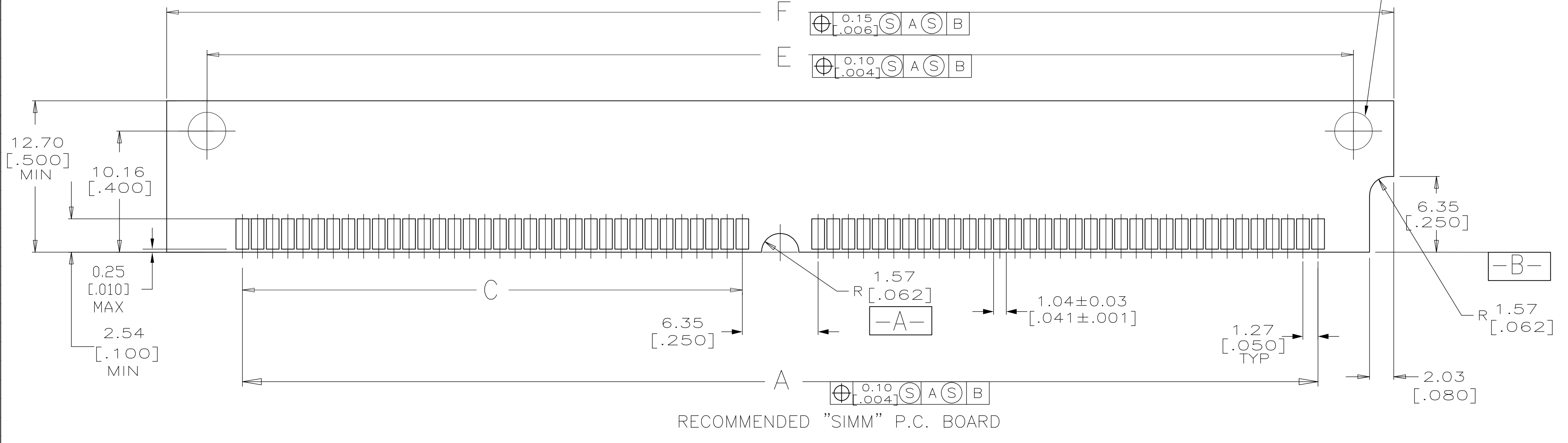
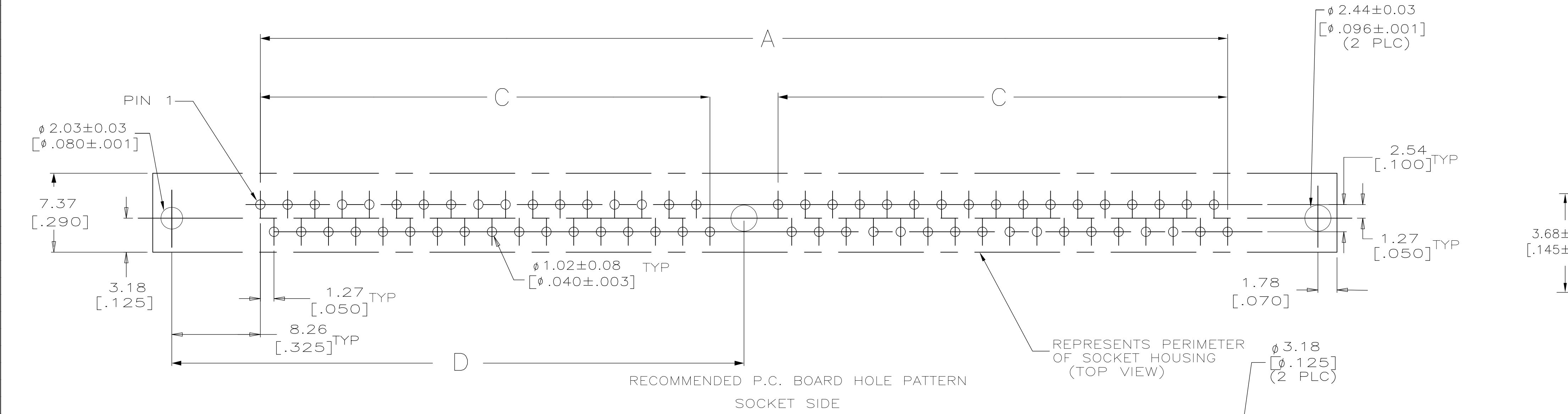
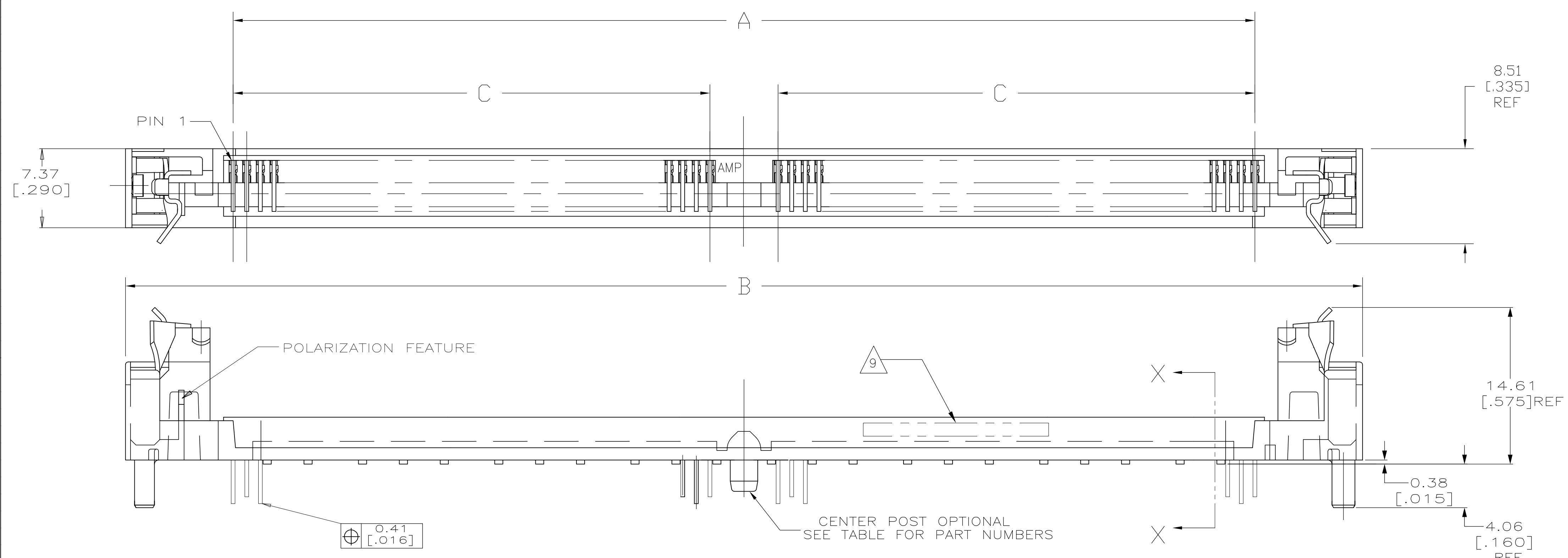
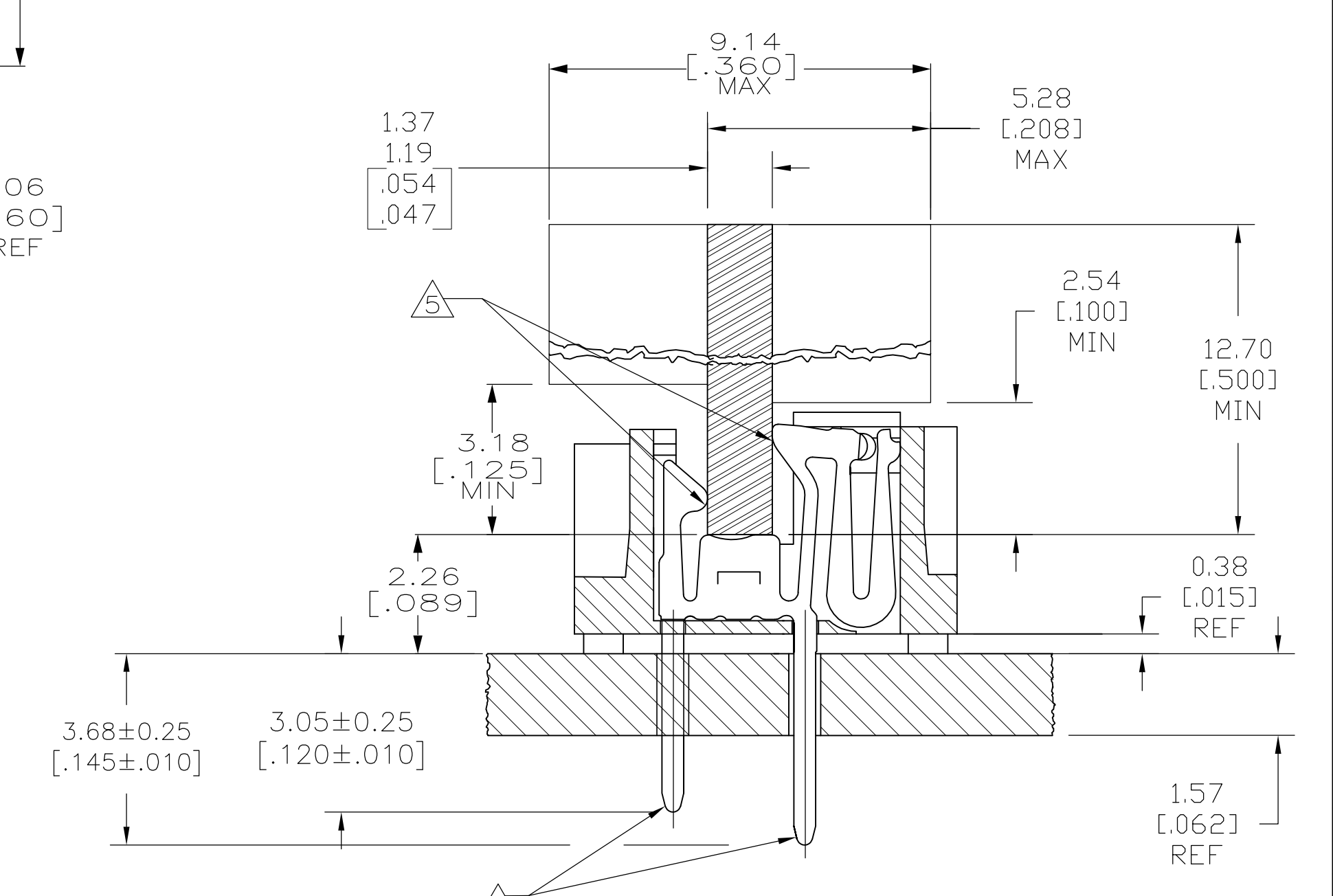


LOC		DIST		REVISIONS			
GP	00	F	LTR	DESCRIPTION	DATE	DN	APVD
B1				REVISED PER ECO-11-005033	28MAR11	RK	HMR



- △ HOUSING-MATERIAL : LIQUID-CRYSTAL-POLYMER, COLOR:NATURAL.
  - △ CONTACT-MATERIAL : PHOS. BRONZE.
  - △ LATCH-MATERIAL : BRASS, NICKEL PLATE.
  - △ CONTACT-PLATE 0.00127 [.000050] MIN NICKEL ALL OVER.
  - △ CONTACT-PLATE 0.00076[.000030] MIN. GOLD AT CONTACT PTS.
  - △ CONTACT SOLDER TAILS-PLATE 0.00508[.000200] MIN MATTE TIN.
7. IN ADDITION TO THOSE RECOMMENDED "SIMM" P.C. BOARD DIMENSIONS AND TOLERANCES SHOWN, ALL JEDEC SPECIFICATIONS APPLY AS SHOWN ON MO-116, ISSUE A.
8. RECOMMENDED MATING S.I.M.M. TAB METALLURGY:  
 BASE METAL-COPPER. PLATING TO BE 0.00076[.000030] MIN GOLD OVER 0.00127[.000050] MIN NICKEL.
- △ DATE CODE: (YEAR WEEK) XXXX FORMAT, LOCATED APPROXIMATELY AS SHOWN ON OPPOSITE SIDE.



WITH CENTER POST	F	E	D	C	B	A	NO OF POSN	PART NO
107.95[4.250]	101.19[3.984]	55.88[2.200]	44.45[1.750]	115.57[4.550]	95.25[3.750]	72	5821997-3	

THIS DRAWING IS A CONTROLLED DOCUMENT.		DIN S. WAITMAN SJANOS		TE Connectivity	
DIMENSIONS: mm [INCHES]		CIR: M. YFOMANS SJANOS			
TOLERANCES UNLESS OTHERWISE SPECIFIED:		NAME: M. YFOMANS SJANOS		CONNECTOR, MICRO-EDGE, .050, VERT, GOLD PL, W/METAL LATCH	
0 PLC ± -		APPLICATION SPEC		SIZE: A1	
1 PLC ± -		WEIGHT		CAGE CODE: 00779	
2 PLC ± -		CUSTOMER DRAWING		DRAWING NO: 5821997	
3 PLC ± 0.13[.005]		SCALE: 4:1		SHEET 1 OF 1	
4 PLC ± -		REV: B1			
ANGLES ± -					

# Mouser Electronics

Authorized Distributor

Click to View Pricing, Inventory, Delivery & Lifecycle Information:

[TE Connectivity:](#)

[5821997-3](#)