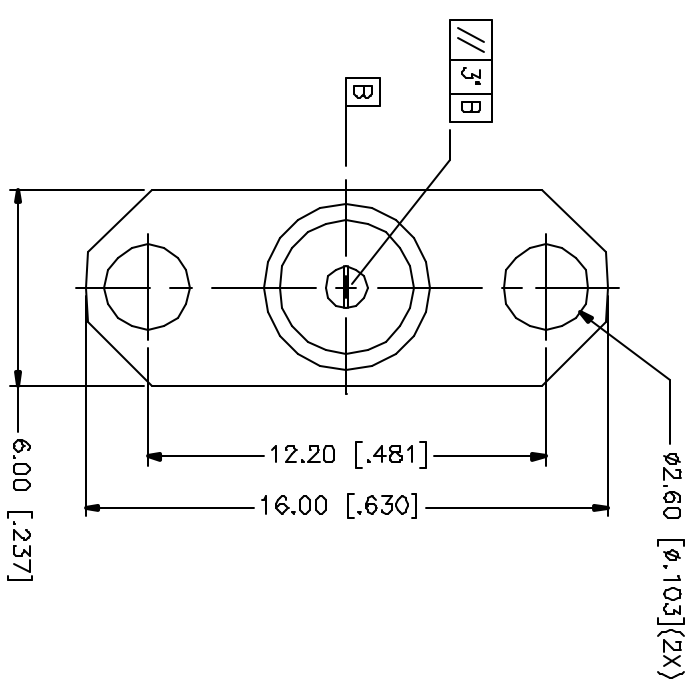
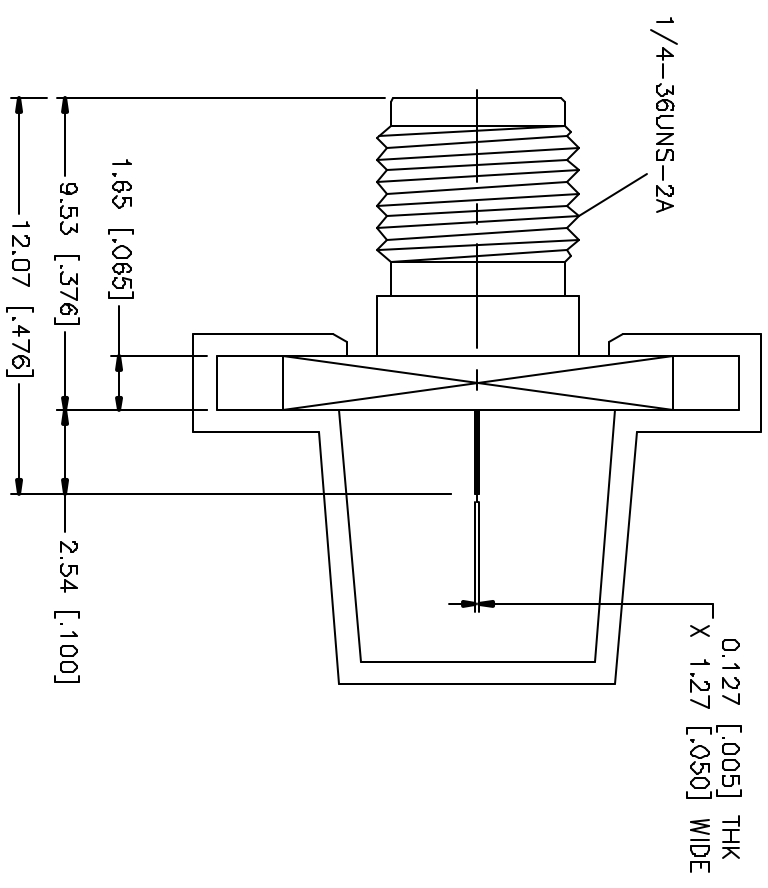


REV.	DATE	DESCRIPTION
NC	10/31/04	INITIAL RELEASE



REV	DESCRIPTION	MATERIAL	FINISH	QTY
B				
7				
6				
5				
4	COVER	P.E.	NATURAL	1
3	CONTACT PIN	BER. COPPER	BOLD	1
2	INSULATOR	TEFLON	NATURAL	1
1	BODY	BRASS	GOLD	1
	DESCRIPTION	MATERIAL	FINISH	QTY

UNLESS OTHERWISE SPECIFIED DIMENSIONS ARE IN MILLIMETERS. DIMENSIONS IN ( ) ARE IN INCHES AND FOR CUSTOMER REFERENCE ONLY.	
UNLESS OTHERWISE SPECIFIED TOLERANCES FOR MILLIMETERS ARE:	
0.5 - 3.0mm ± 0.20mm	
3.0 - 120mm ± 0.50mm	
UNLESS OTHERWISE SPECIFIED TOLERANCES FOR INCHES ARE:	
.020 - .315 ± 0.007"	
.315 - 1.180 ± 0.015"	
1.180 - 4.724 ± 0.020"	
DO NOT SCALE DRAWING	

APPROVALS	DATE
DRAWN G.R.S.	10/31/04
CHECKED	
ISSUED	
TRICET 1 OF 1	

DWG. NO.	1 321 67.DWG	REV.	NC	SIZE	A	SCALE	NA
----------	--------------	------	----	------	---	-------	----

**Amphenol Connex**

PART DESCRIPTION  
SMA PANEL RECEPTACLE JACK  
(FLAT TAB CONTACT)

PART NO.  
1 321 67

# Mouser Electronics

Authorized Distributor

Click to View Pricing, Inventory, Delivery & Lifecycle Information:

[Amphenol:](#)

[132167](#)